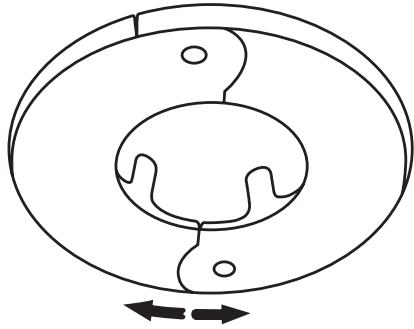
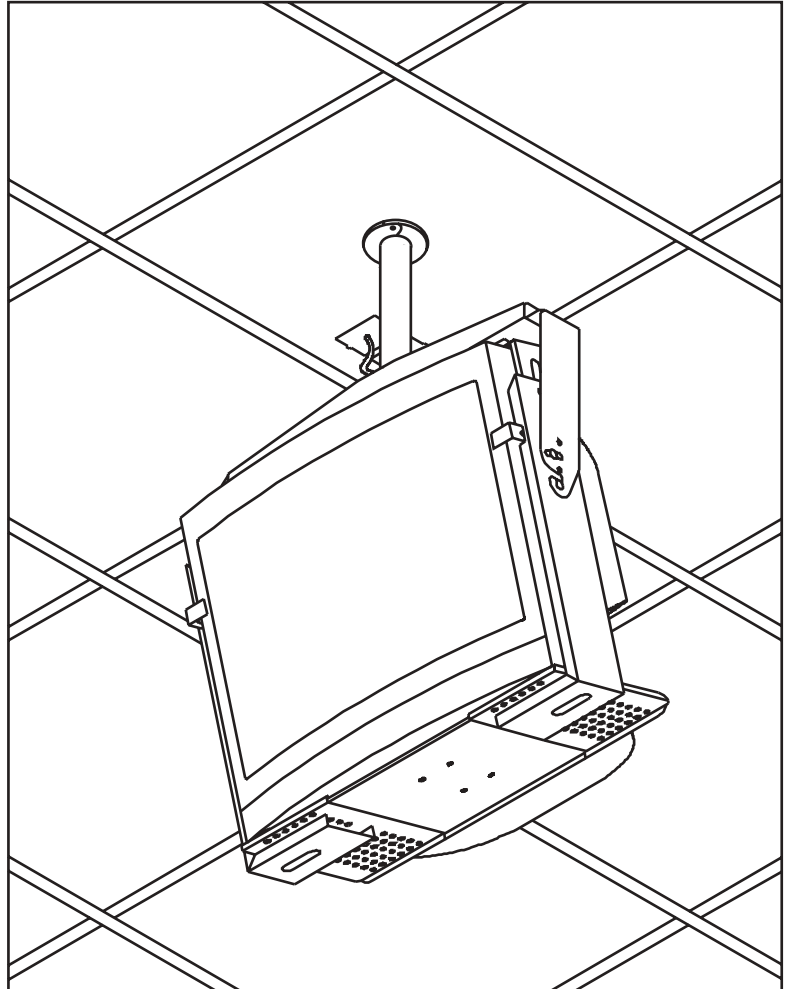


Model **ACC640** Escutcheon Ring visually enhances suspended ceiling installations by covering hole where extension column passes through ceiling tile. Ring is hinged to open, wrap around extension column and snap into place to cover hole in ceiling tile. (Ring is not needed for installations using Suspended Ceiling Plates CMJ450 or CMJ453.)



Model **ACC640**  
Escutcheon Ring



Shipping Weight: .2 lb (.1 kg)

**ARCHITECTS SPECIFICATIONS**

The Escutcheon Ring shall be a Peerless model ACC640 and is for use with Jumbo Mount extension columns (1.5" threaded pipe). Inside diameter is 1 13/16" (46mm). Outside diameter is 3 5/8" (92mm).



Peerless Industries, Inc. 3215 W. North Ave. Melrose Park, IL 60160  
708-865-8870 800-865-2112 Fax 708-865-2941 www.peerlessindustries.com

**TECHNICAL DATA SHEET**

**Escutcheon Ring**

Issued: 3-18-92 Sheet No. 128-9516-1

page 1