

# TECHNICAL DATA SHEET - Extension Column Connector with Cord Management



MODELS: ACC 850, ACC 850S



The **ACC 850(S)** extension column connector with cord management is for use with the Vector Pro™ Plus mount and is offered in either black (ACC 850) or silver (ACC 850S). The 1 1/2" opening in the connector allows cords to be easily routed through a standard 1.9" OD extension column.

### Features:

- Easily attaches a standard 1.9" OD extension column to the Vector Pro Plus mount
- Complete Armor Lock™ security at connection points
- Can be used with Armor Lock Plus™ security cables to provide an extra level of security
- Constructed of aluminum with black or silver anodized finish

### Dimensions:

#### **Weight:**

**0.23 lb (0.11 kg)**

#### **Shipping weight:**

**0.39 lb (0.18 kg)**

#### **Shipping Carton dimensions:**

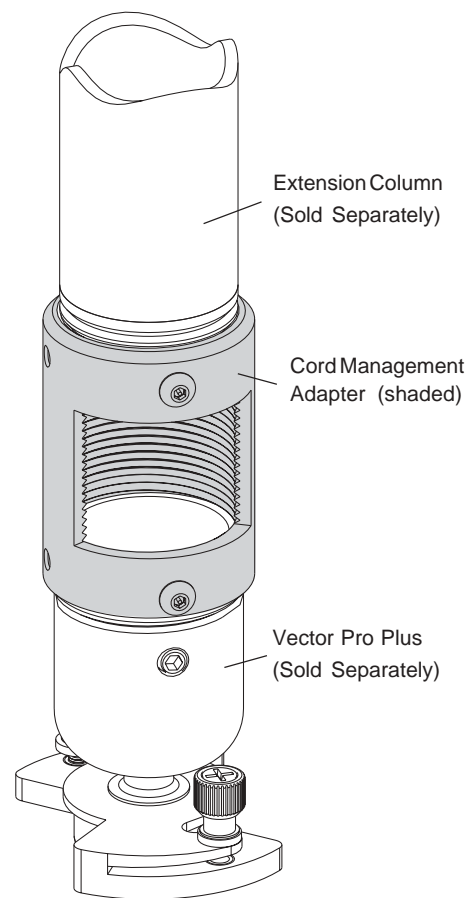
**L = 7.00" (178 mm)**

**W = 3.00" (76 mm)**

**H = 3.00" (76 mm)**

#### **Max. Load Capacity:**

**300 lb (136 kg)**



### **ARCHITECTSSPECIFICATIONS:**

The Cord Management Adapter shall be a Peerless model ACC 850 or ACC 850S. It shall be located where indicated on the plans. It shall be constructed of aluminum with black or silver anodized finish. Assembly and installation shall be done according to instructions provided by the manufacturer.

