

TECHNICAL DATA SHEET - **SmartMount**[®] Universal Flat Wall Mount for 23" to 46"* LCD Flat Panel Screens

peerless[®]

MODELS: SF640, SF640-S, SF640P, SF640P-S

Limitless placement opportunities are delivered with speed and ease. Its ultra-slim open wall plate architecture delivers screen placement flexibility and enables easy electrical access and cable management. This ultra-slim mount is the ultimate solution for low-profile applications.

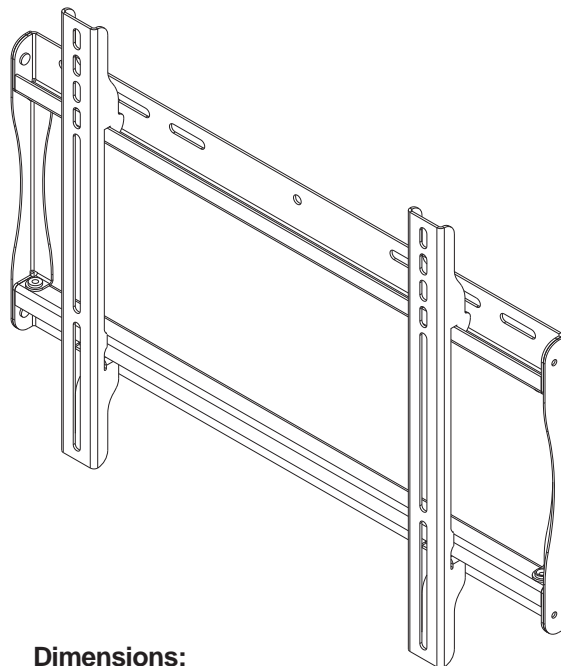
Features:

- Universal mount fits screens with mounting patterns up to 17.73" W x 12.94" H
- Open wall plate architecture allows for total wall access, increasing electrical access and cable management options
- Ultra-slim design holds screen only 1.2" from the wall for a low-profile application
- Horizontal screen adjustment of up to 6" (depending on screen model) for perfect screen placement
- Universal brackets easily hook onto wall plate for fast installation
- Mounts to wood studs, concrete, cinder block or metal studs (metal stud accessory required)
- Comes with Peerless' Sorted-for-You™ fastener pack with all necessary screen attachment hardware
- Integrated security

Accessories:

- ACC415 - Metal Stud Fastener Kit (Metal Stud not evaluated by UL)
- SCS221 - SmartMount Component Shelf

***NOTE:** Most 42" and larger plasma screens may not work with this mount. Use Mount Finder to confirm compatibility



Dimensions:

Weight:

4.5 lb (2 kg)

Shipping weight:

5.7 lb (2.6 kg)

Maximum UL Load Capacity:

150 lb (68kg)

Shipping Carton dimensions:

SF640, SF640-S

L = 21.25 in (539.8 mm)

W = 10.125 in (257.2 mm)

H = 3.5 in (89 mm)

SF640P, SF640P-S

L = 20.375 in (517.6mm)

W = 10.063 in (255.7mm)

H = 3.5 in (89mm)

ARCHITECTS SPECIFICATIONS

The **Smartmount**[®] **Universal Flat Wall Mount** be a Peerless model _____ and shall be located where indicated on the plans. It shall be constructed of heavy gauge cold rolled steel and finished with scratch resistant Black or Silver Fused Epoxy. Assembly and installation shall be done according to instructions provided by the manufacturer.

Peerless Industries, Inc.

3215 W. North Ave. Melrose Park, IL 60160
708-865-8870 800-865-2112 Fax 708-865-2941

www.peerlessmounts.com

ISSUED:04-12-05 SHEET NO: 201-9696-12 04-23-08

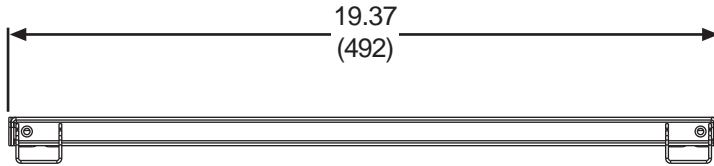
©2008, Peerless Industries, Inc. All rights reserved.

All other brand and product names are trademarks or registered trademarks of their respective owners.

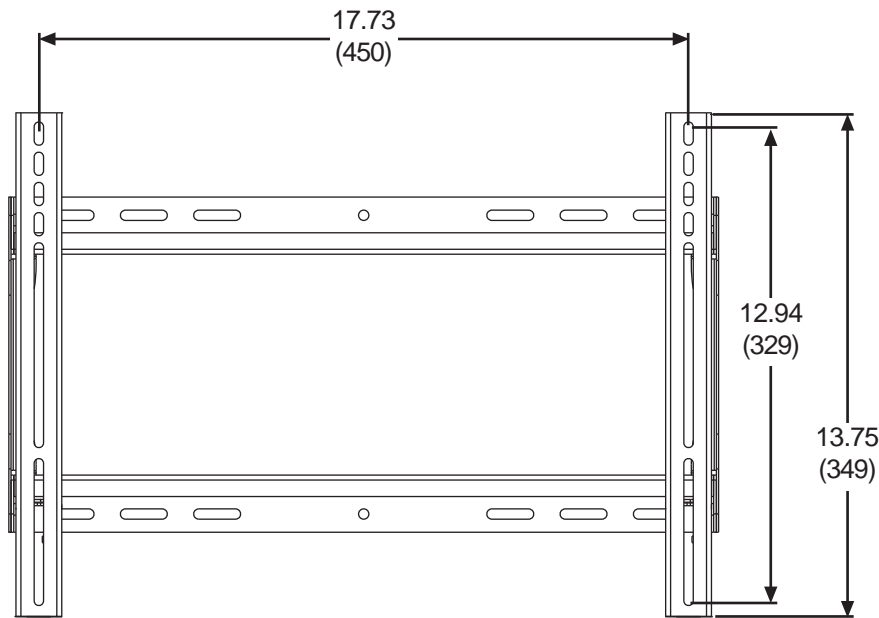
TECHNICAL DATA SHEET

All dimensions = inch (mm)

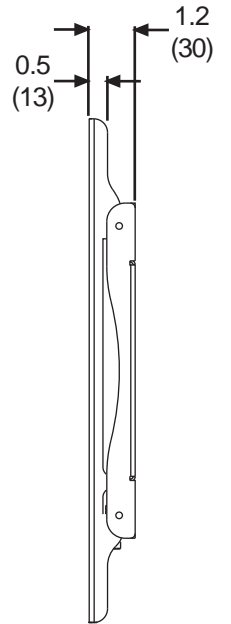
MODELS: SF640, SF640-S, SF640P, SF640P-S



Top View



Front View



Side View

TECHNICAL DATA SHEET

All dimensions = inch (mm)

MODELS: SF640, SF640-S, SF640P, SF640P-S

