

TECHNICAL DATA SHEET - Vector Pro™ II Projector Mount



MODELS: PJF2 Series

The **Vector Pro™ II** provides a clean look with its NEW cable management capabilities. The included extension column connector incorporates internal cord management paths that keep unsightly cords concealed from view. The mount also features a ceiling plate, ball and socket design, multi-directional positioning (roll, pitch, and yaw) for proper image alignment and complete Armor Lock™ security at every connection point. This projector mount is perfect for use in classrooms, boardrooms, hotels, bars, and restaurants or anywhere a projector needs to be mounted. The Vector Pro™ II can be flush mounted, mounted using 1-1/2" diameter extension column, mounted using 1/2" thread rod or wall mounted.

Features:

- Color: black
- *30° (±15°) pitch, 30° (±15°) roll, 360° yaw - All with positive lock at any degree
- Theft-resistant Armor Lock security for complete, integrated security from projector to ceiling
- Two thumb screws allow for easy projector removal
- Features a 1-1/2" cord access hole
- Ships fully assembled and attaches to projector adapter plate with a partial rotation and engages into place
- Can be attached to a 1-1/2" 11.5 NPT extension column, 1/2" threaded rod, or projector wall arm
- Most models offer quick and easy lamp and filter access
- Designed to route cords internally through an extension column
- Ceiling plate included - full line solution

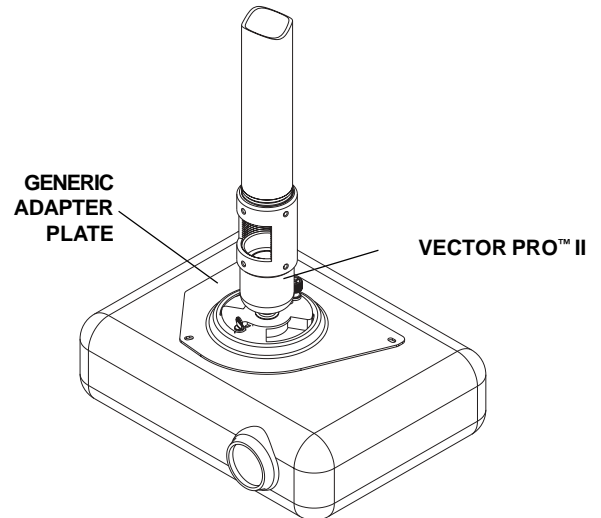
* Roll & pitch may be limited when flush mounted depending on the dimensions of the specific projector.

Maximum Load Capacity:

50 lb (22.7 kg)

Dimensions:

For product dimensions, see pages 2 - 11.



Accessories:

- Fixed and Adjustable length 1 1/2" NPT Extension Columns ("EXT" or "ADJ" models)
- Black External Cord Wrap (ACC 852 & ACC 856)
- Concrete Anchors (ACC 205 or ACC 203)
- Armor Lock Plus™ security cable with Kensington® Lock (ACC 020)
- Armor Lock Plus™ security cable (ACC 021)
- Lightweight Suspended Ceiling Plate (CMJ 455)
- Anti-Vibration Ceiling Plates (ACC 840 & 845)
- Side to Side Adjuster (ACC 830)
- Threaded Rod Adapter (ACC 810)

ARCHITECTS SPECIFICATIONS:

The **Vector Pro II** projector mount shall be a Peerless Model **PJF2** _____ and shall be mounted where indicated on the plans. It shall feature 30° (±15°) pitch, 30° (±15°) roll, and 360° yaw. It shall have a 50 lb maximum load capacity. It shall have a quick release spring loaded screw for easy removal and installation of the projector. It shall feature security screws. It shall be constructed of aluminum and nylon finished in black. The main housing is constructed of aluminum. The connector, which locks into the steel adapter plate, is constructed of nylon and is secured to the aluminum ball joint with a 1/4 -20 x 1 1/2" long steel bolt. The nylon material can take direct heat up to 250° without any deformation. Its melting point is 500° F. The Vector Pro II is capable of holding up to 50 lb at the maximum 30° (+15°, -15°) roll or pitch. Installation and assembly shall be done in accordance with the instructions provided by the manufacturer.

Peerless Industries, Inc.

3215 W. North Ave. Melrose Park, IL 60160
708-865-8870 800-865-2112 Fax 708-865-2941

www.peerlessmounts.com

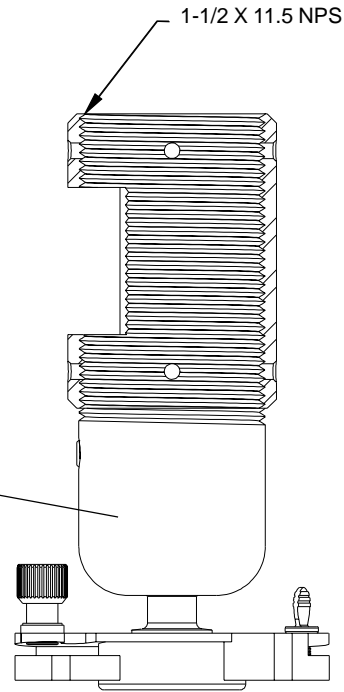
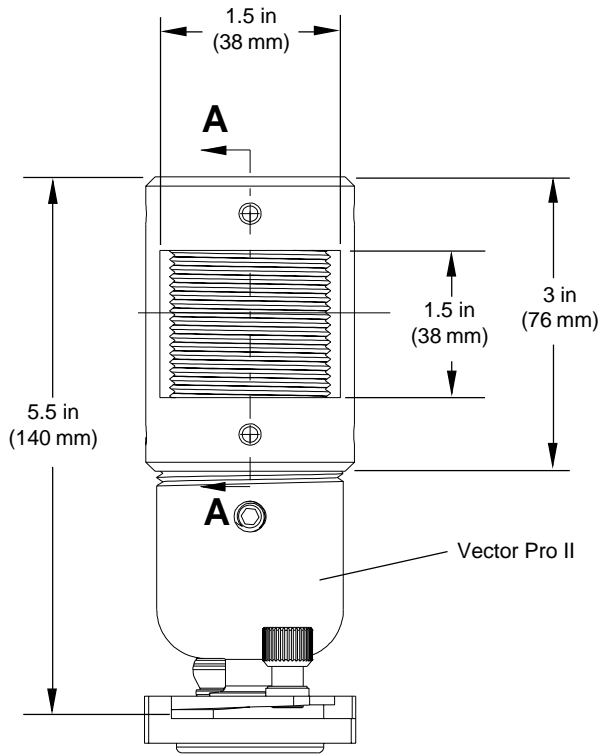
ISSUED: 07-13-05 SHEET NO: 056-9556-8 10-04-05

© 2005 Peerless Industries, Inc. All rights reserved.

Peerless is a registered trademark of Peerless Industries, Inc.

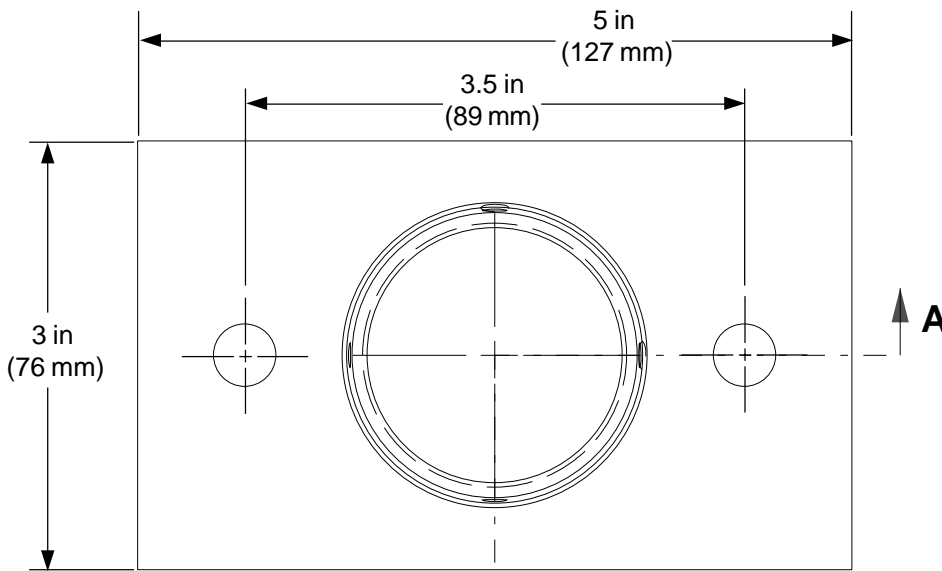
Vector Pro, Armor Lock, and Armor Lock Plus are trademarks of Peerless Industries, Inc.

All other brand and product names are trademarks or registered trademarks of their respective owners.

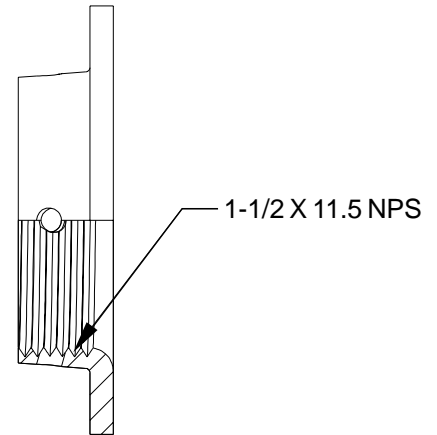


FRONT VIEW
WITH CORD MANAGEMENT CONNECTOR

SECTION A-A

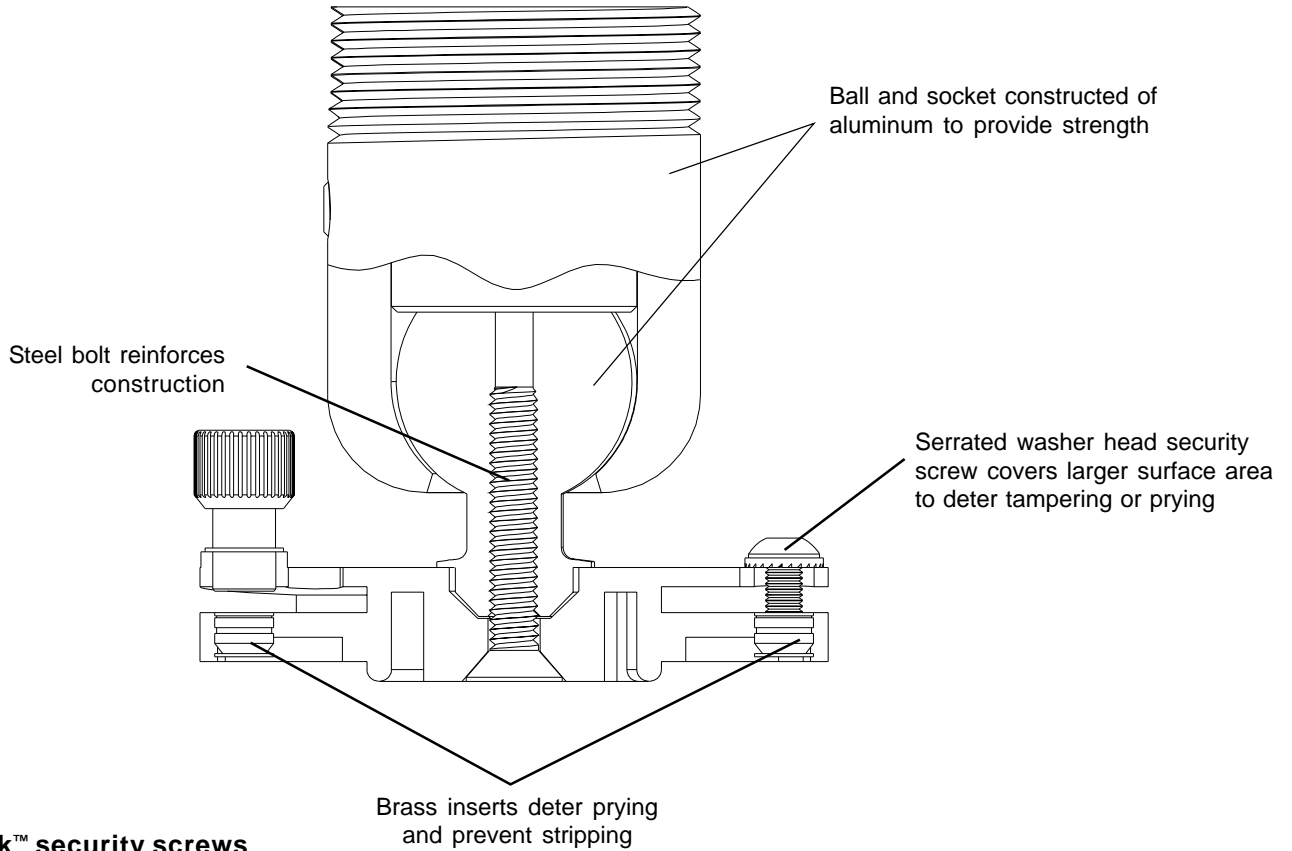


TOP VIEW
(CEILING PLATE DETAIL)



SECTION A-A

Armor Lock™ Security Features



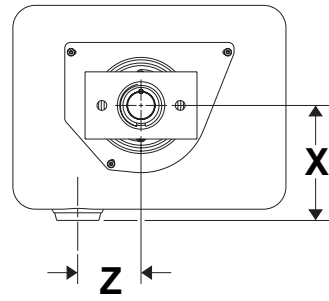
NOTE: Armor Lock™ security screws are also included with PAP model adapter plates.

CUT AWAY VIEW

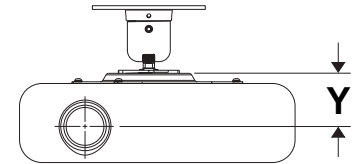
Refer to chart on following pages for your specific model's dimensions.

Note: Y is the dimension from the top of the adapter plate to the center of the lens on the projector.

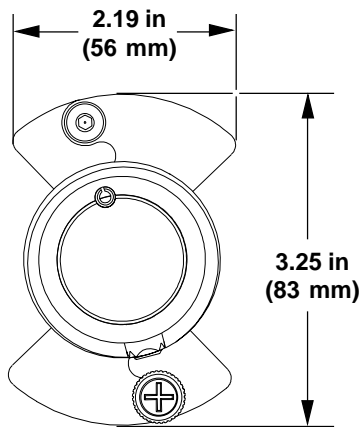
Note: X, Y, and Z dimensions are provided for manufacturer models listed only.



TOP VIEW

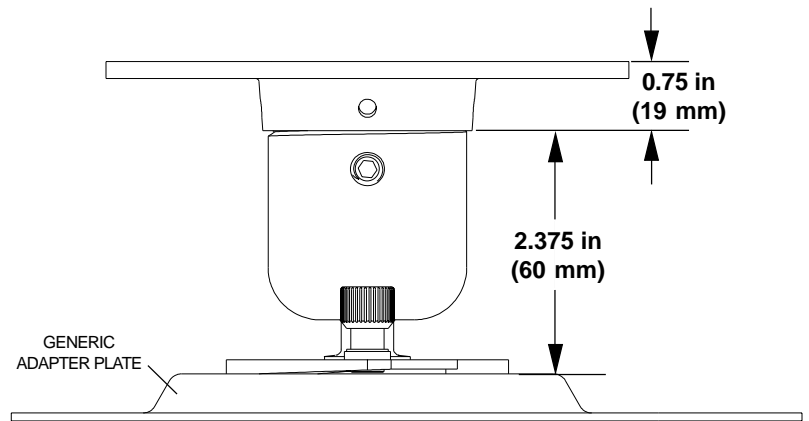


FRONT VIEW



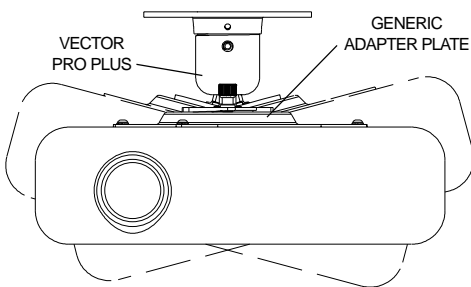
TOP VIEW

(without ceiling plate and adapter plate)

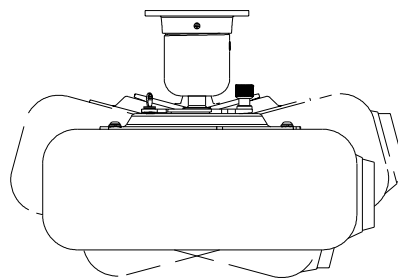


FRONT VIEW

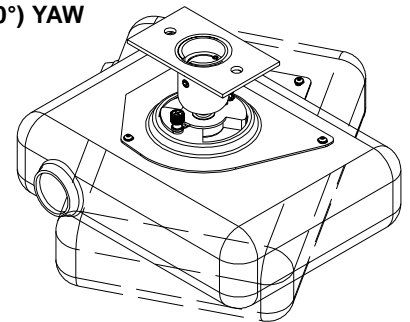
30° (±15°) ROLL



30° (±15°) PITCH



360° (±180°) YAW



TECHNICAL DATA SHEET

MODELS: PJF2 Series

All dimensions shown as in / (mm). All weights shown as lb / (kg).

Model#	Carton Dimensions	Shipping Weight	Product Weight	Manufacturer Model	Dimensions		
					X	Y	Z
PJF2-1	8.0 x 4.0 x 4.0 (324 x 241 x 64)	1.3 (0.6)	1.0 (0.5)	N/A	N/A	N/A	N/A
PJF2-101	12.75 x 9.5 x 2.5 (324 x 241 x 64)	1.7 (0.8)	1.4 (0.6)	InFocus® LP290	4.50 (114)	5.60 (142)	0.25 (6)
PJF2-102	12.75 x 9.5 x 2.5 (324 x 241 x 64)	2.2 (1.0)	1.7 (0.8)	InFocus® LP530	6.50 (165)	5.75 (146)	3.00 (76)
PJF2-103	12.75 x 9.5 x 2.5 (324 x 241 x 64)	2.5 (1.1)	2.0 (0.9)	NEC™ VT 45	4.75 (121)	5.75 (146)	2.80 (71)
PJF2-104	12.75 x 9.5 x 2.5 (324 x 241 x 64)	2.7 (1.2)	2.2 (1.0)	Sanyo™ PLC-XU30	5.25 (133)	7.00 (178)	3.00 (76)
PJF2-106	12.75 x 9.5 x 2.5 (324 x 241 x 64)	3.3 (1.5)	2.7 (1.2)	Sanyo™ PLU-XP40, PLU-XP45/L	8.63 (219)	8.10 (206)	1.10 (28)
PJF2-109	12.75 x 9.5 x 2.5 (324 x 241 x 64)	4.4 (2.0)	3.0 (1.4)	NEC™ NEC GT1150 and NEC GT2150	9.88 (251)	8.18 (208)	0.00 0
PJF2-111	12.75 x 9.5 x 2.5 (324 x 241 x 64)	2.6 (1.2)	1.8 (0.8)	NEC™ LT155	4.60 (117)	5.10 (130)	1.50 (38)
PJF2-112	12.75 x 9.5 x 2.5 (324 x 241 x 64)	2.5 (1.1)	1.9 (0.9)	Sharp™ XV-Z9000U	9.80 (249)	7.50 (191)	0.50 (13)
PJF2-113	12.75 x 9.5 x 2.5 (324 x 241 x 64)	3.0 (1.4)	2.2 (1.0)	Mitsubishi™ XL1U	6.00 (152)	5.75 (146)	1.00 (25)
PJF2-114	14.5 x 13.125 x 1.625 (368 x 333 x 41)	5.6 (2.5)	5.1 (2.3)	Mitsubishi™ X500U	7.00 (178)	8.00 (203)	2.00 (51)
PJF2-115	12.75 x 9.5 x 2.5 (324 x 241 x 64)	2.4 (1.1)	2.0 (0.9)	Sony™ VLP-CS10	4.63 (117)	5.50 (140)	2.50 (64)
PJF2-116	12.75 x 9.5 x 2.5 (324 x 241 x 64)	3.0 (1.4)	2.6 (1.2)	LUXEON™ V1	4.50 (114)	2.40 (61)	3.60 (91)
PJF2-117	12.75 x 9.5 x 2.5 (324 x 241 x 64)	2.2 (1.0)	1.6 (0.7)	Proxima® DP6150	4.50 (114)	5.50 (140)	1.13 (29)
PJF2-118	12.75 x 9.5 x 2.5 (324 x 241 x 64)	2.7 (1.2)	2.1 (1.0)	Sony™ VLP-CS10	3.50 (89)	2.50 (64)	2.20 (56)
PJF2-119	12.75 x 9.5 x 2.5 (324 x 241 x 64)	3.9 (1.8)	3.1 (1.4)	Epson™ PowerLite 600p	5.00 (127)	2.50 (64)	2.50 (64)
PJF2-121	12.75 x 9.5 x 2.5 (324 x 241 x 64)	2.4 (1.1)	1.8 (0.8)	Sharp™ PG-M15X	3.00 (76)	2.25 (57)	2.87 (73)
PJF2-123	12.75 x 9.5 x 2.5 (324 x 241 x 64)	2.5 (1.1)	2.0 (0.9)	Sanyo™ PLC-XW20	5.75 (146)	2.25 (57)	2.25 (57)
PJF2-124	12.75 x 9.5 x 2.5 (324 x 241 x 64)	2.9 (1.3)	2.4 (1.1)	Panasonic® PT-LC55U, PT-LC75U	5.75 (146)	2.10 (53)	1.25 (32)
PJF2-125	12.75 x 9.5 x 2.5 (324 x 241 x 64)	2.7 (1.2)	1.6 (0.7)	Optoma™ EzPro 755	4.75 (121)	3.10 (79)	3.60 (91)
PJF2-126	12.75 x 9.5 x 2.5 (324 x 241 x 64)	4.0 (1.8)	3.4 (1.5)	Acer® VP110X, VP150X	7.50 (191)	2.75 (70)	1.13 (29)
PJF2-127	12.75 x 9.5 x 2.5 (324 x 241 x 64)	2.8 (1.3)	2.3 (1.0)	NEC Mitsubishi™ XD200U	5.13 (130)	2.75 (70)	4.63 (117)
PJF2-128	12.25 x 9.625 x 4 (311 x 244 x 102)	3.1 (1.4)	2.9 (1.3)	Sony™ VPL-CX3	4.75 (121)	1.63 (41)	1.75 (44)
PJF2-130	12.75 x 9.5 x 2.5 (324 x 241 x 64)	3.7 (1.7)	2.4 (1.1)	Hitachi® CP-SX5500W	6.25 (159)	3.50 (89)	0.75 (19)
PJF2-131	12.75 x 9.5 x 2.5 (324 x 241 x 64)	3.0 (1.4)	1.7 (0.8)	InFocus® LP790	8.00 (203)	2.80 (71)	2.25 (57)
PJF2-133	14.5 x 13.125 x 1.625 (368 x 333 x 41)	3.7 (1.7)	2.3 (1.0)	Hitachi® CP-X990W	8.25 (210)	3.75 (95)	1.00 (25)

TECHNICAL DATA SHEET

MODELS: PJF2 Series

PJF2-134	12.75 x 9.5 x 2.5 (324 x 241 x 64)	2.9 (1.3)	1.6 (0.7)	Panasonic® PT-AE100	4.50 2.50 2.60 (114) (64) (66)
PJF2-136	12.75 x 9.5 x 2.5 (324 x 241 x 64)	2.6 (1.2)	2.1 (1.0)	Boxlight® CP-775i	3.00 3.25 2.88 (76) (83) (73)
PJF2-139	12.75 x 9.5 x 2.5 (324 x 241 x 64)	2.2 (1.0)	1.7 (0.8)	BenQ 7765PA	4.00 2.50 2.75 (102) (64) (70)
PJF2-140	12.75 x 9.5 x 2.5 (324 x 241 x 64)	2.1 (1.0)	1.6 (0.7)	Sharp™ PG-M20X	5.50 1.80 0.60 (140) (46) (15)
PJF2-141	18 x 13.125 x 1.5 (457 x 333 x 38)	4.7 (2.1)	4.1 (1.9)	Barco™ IQ-G300	8.50 4.00 2.00 (216) (102) (51)
PJF2-143	12.75 x 9.5 x 2.5 (324 x 241 x 64)	2.4 (1.1)	2.0 (0.9)	PLUS™ U2-X2000	6.50 2.50 2.38 (165) (64) (60)
PJF2-144	12.75 x 9.5 x 2.5 (324 x 241 x 64)	2.3 (1.0)	1.9 (0.9)	Panasonic® PT-LZ20U	5.88 3.13 0.13 (149) (79) (3)
PJF2-145	12.75 x 9.5 x 2.5 (324 x 241 x 64)	2.4 (1.1)	2.0 (0.9)	Epson™ PowerLite 720c	3.25 2.50 2.25 (83) (64) (57)
PJF2-150	12.75 x 9.5 x 2.5 (324 x 241 x 64)	3.7 (1.7)	3.3 (1.5)	Sony™ VPL-CS5	4.50 2.50 3.25 (114) (64) (83)
PJF2-151	12.75 x 9.5 x 2.5 (324 x 241 x 64)	2.7 (1.2)	2.0 (0.9)	Boxlight® CD-725C	3.63 3.13 3.38 (92) (79) (86)
PJF2-152	12.75 x 9.5 x 2.5 (324 x 241 x 64)	2.7 (1.2)	2.3 (1.0)	BenQ DS650, DS660, DX650, DX660	3.63 3.63 3.38 (92) (92) (86)
PJF2-153	12.75 x 9.5 x 2.5 (324 x 241 x 64)	2.4 (1.1)	1.9 (0.9)	Sharp® Notevision XG-C50X	5.38 4.00 3.25 (137) (102) (83)
PJF2-154	13.375 x 12.75 x 1.6875 (340 x 324 x 43)	3.8 (1.7)	3.2 (1.5)	Mitsubishi™ XL30 ColorView	4.38 4.50 3.13 (111) (114) (79)
PJF2-156	12.75 x 9.5 x 2.5 (324 x 241 x 64)	2.6 (1.2)	2.1 (1.0)	Yokogawa D-2300X	3.50 3.50 3.25 (89) (89) (83)
PJF2-157	15.125 x 15.125 x 7.125 (384 x 384 x 181)	4.5 (2.0)	3.5 (1.6)	NEC™ MT1065	5.00 3.25 3.00 (127) (83) (76)
PJF2-158	12.75 x 9.5 x 2.5 (324 x 241 x 64)	2.7 (1.2)	1.7 (0.8)	Dell™ 3300MP and Hewlett-Packard® xb31, sb21	2.00 2.25 2.25 (51) (57) (57)
PJF2-159	12.75 x 9.5 x 2.5 (324 x 241 x 64)	3.7 (1.7)	3.4 (1.5)	Toshiba™ TLP-790U, TLP-780U, TLP-380, TLP-780	4.60 2.50 3.00 (117) (64) (76)
PJF2-160	12.75 x 9.5 x 2.5 (324 x 241 x 64)	2.4 (1.1)	2.0 (0.9)	Boxlight® CD-850m	6.25 2.50 3.75 (159) (64) (95)
PJF2-161	12.75 x 9.5 x 2.5 (324 x 241 x 64)	2.6 (1.2)	2.1 (1.0)	Epson™ PowerLite 30c	4.25 2.25 3.25 (108) (57) (83)
PJF2-162	12.75 x 9.5 x 2.5 (324 x 241 x 64)	2.5 (1.1)	2.0 (0.9)	NEC™ LT260	5.88 3.75 2.25 (149) (95) (57)
PJF2-163	12.75 x 9.5 x 2.5 (324 x 241 x 64)	2.3 (1.0)	1.8 (0.8)	Panasonic® PT-L750U	7.00 3.00 0.50 (178) (76) (13)
PJF2-164	12.75 x 9.5 x 2.5 (324 x 241 x 64)	3.2 (1.5)	2.7 (1.2)	JVC® DLA-SX21	6.75 4.00 3.25 (171) (102) (83)
PJF2-165	12.75 x 9.5 x 2.5 (324 x 241 x 64)	3.2 (1.5)	2.7 (1.2)	TransVision™ TV2	7.60 7.30 0.13 (193) (185) (3)
PJF2-166	12.75 x 9.5 x 2.5 (324 x 241 x 64)	3.0 (1.4)	2.5 (1.1)	Sharp™ DT-200	7.50 3.00 0.00 (191) (76) 0
PJF2-167	12.75 x 9.5 x 2.5 (324 x 241 x 64)	2.4 (1.1)	1.9 (0.9)	Hitachi® CP-X327W	4.00 2.25 2.38 (102) (57) (60)
PJF2-168	12.75 x 9.5 x 2.5 (324 x 241 x 64)	2.4 (1.1)	1.9 (0.9)	Optoma™ EzPro 737	4.63 2.63 3.25 (117) (67) (83)

TECHNICAL DATA SHEET

MODELS: PJF2 Series

PJF2-169	12.75 x 9.5 x 2.5 (324 x 241 x 64)	2.7 (1.2)	1.9 (0.9)	Boxlight® Matinee 1HD	4.50 2.25 2.00 (114) (57) (51)
PJF2-170	12.75 x 9.5 x 2.5 (324 x 241 x 64)	2.5 (1.1)	2.1 (1.0)	InFocus® ScreenPlay 7200	6.25 2.88 3.75 (159) (73) (95)
PJF2-171	12.75 x 9.5 x 2.5 (324 x 241 x 64)	2.7 (1.2)	2.3 (1.0)	Sony™ VPL-PX40 SuperBright	5.00 4.13 3.50 (127) (105) (89)
PJF2-173	12.75 x 9.5 x 2.5 (324 x 241 x 64)	2.2 (1.0)	1.8 (0.8)	Sony™ VPL-HS10	5.50 4.00 0.00 (140) (102) 0
PJF2-174	12.75 x 9.5 x 2.5 (324 x 241 x 64)	2.3 (1.0)	1.8 (0.8)	InFocus® X1	5.25 3.50 2.50 (133) (89) (64)
PJF2-175	12.75 x 9.5 x 2.5 (324 x 241 x 64)	2.6 (1.2)	1.9 (0.9)	Proxima® DP2000x	5.50 2.13 1.25 (140) (54) (32)
PJF2-176	12.75 x 9.5 x 2.5 (324 x 241 x 64)	3.6 (1.6)	2.5 (1.1)	Toshiba™ TLP-S30U	3.80 2.25 3.00 (97) (57) (76)
PJF2-177	14.5 x 13.125 x 1.625 (368 x 333 x 41)	4.6 (2.1)	3.6 (1.6)	Sanyo™ PLC-XT10 & PLC-XT15 and Philips™ ProScreen PXG30	7.88 4.25 0.75 (200) (108) (19)
PJF2-178	12.75 x 9.5 x 2.5 (324 x 241 x 64)	2.6 (1.2)	2.3 (1.0)	Hitachi® CP-X885	6.00 2.88 2.88 (152) (73) (73)
PJF2-179	12.75 x 9.5 x 2.5 (324 x 241 x 64)	2.4 (1.1)	1.9 (0.9)	Epson™ Powerlite 53C	3.38 6.50 2.88 (86) (165) (73)
PJF2-180	12.75 x 9.5 x 2.5 (324 x 241 x 64)	2.8 (1.3)	2.4 (1.1)	Panasonic™ PT-LC56U	4.25 2.00 2.88 (108) (51) (73)
PJF2-181	12.75 x 9.5 x 2.5 (324 x 241 x 64)	2.1 (1.0)	1.6 (0.7)	Sony™ VPL-HS2 Cineza	5.63 3.00 0.00 (143) (76) 0
PJF2-182	14.5 x 13.125 x 1.625 (368 x 333 x 41)	3.8 (1.7)	3.3 (1.5)	Yamaha® LPX-500	4.88 3.25 4.25 (124) (83) (108)
PJF2-183	12.75 x 9.5 x 2.5 (324 x 241 x 64)	2.2 (1.0)	1.7 (0.8)	Boxlight® SP-45m and XP-55m	5.50 1.95 1.25 (140) (50) (32)
PJF2-184	12.75 x 9.5 x 2.5 (324 x 241 x 64)	2.3 (1.0)	1.8 (0.8)	Philips™ bSure LC6231 and LC7181	5.88 3.00 1.00 (149) (76) (25)
PJF2-185	12.75 x 9.5 x 2.5 (324 x 241 x 64)	2.2 (1.0)	1.8 (0.8)	Boxlight® SP-46d and XP-56d	5.75 2.68 1.00 (146) (68) (25)
PJF2-186	12.75 x 9.5 x 2.5 (324 x 241 x 64)	2.6 (1.2)	2.2 (1.0)	Sharp® Notevision PG-A10X	3.75 2.50 2.75 (95) (64) (70)
PJF2-187	12.75 x 9.5 x 2.5 (324 x 241 x 64)	2.6 (1.2)	2.1 (1.0)	BenQ® PE 8700	4.25 3.50 1.75 (108) (89) (44)
PJF2-188	12.75 x 9.5 x 2.5 (324 x 241 x 64)	3.6 (1.6)	2.2 (1.0)	BenQ® PB8220	3.50 3.00 2.75 (89) (76) (70)
PJF2-189	12.75 x 9.5 x 2.5 (324 x 241 x 64)	2.6 (1.2)	2.1 (1.0)	Toshiba™ TDP-D1	3.25 2.50 2.50 (83) (64) (64)
				BenQ® PB6100	4.00 3.38 2.25 (102) (86) (57)
PJF2-190	12.75 x 9.5 x 2.5 (324 x 241 x 64)	3.6 (1.6)	2.7 (1.2)	Toshiba™ TLP-T720	5.00 2.75 2.38 (127) (70) (60)
PJF2-191	12.75 x 9.5 x 2.5 (324 x 241 x 64)	3.6 (1.6)	2.4 (1.1)	Proxima® UltraLight DS2	4.00 2.38 2.50 (102) (60) (64)
PJF2-192	14.5 x 6.5 x 4 (368 x 165 x 102)	3.6 (1.6)	2.7 (1.2)	LG RD-JT31	2.88 1.75 0.75 (73) (44) (19)
PJF2-193	12.75 x 9.5 x 2.5 (324 x 241 x 64)	3.6 (1.6)	2.2 (1.0)	Immersive Virtuoso HT720	5.00 4.25 2.38 (127) (108) (60)
PJF2-194	12.75 x 9.5 x 2.5 (324 x 241 x 64)	3.6 (1.6)	3.0 (1.4)	Sim2 HT 300	4.75 5.00 3.00 (121) (127) (76)
PJF2-195	12.75 x 9.5 x 2.5 (324 x 241 x 64)	3.6 (1.6)	2.6 (1.2)	Panasonic™ PT-L735NTU	6.50 3.00 1.00 (165) (76) (25)

TECHNICAL DATA SHEET

MODELS: PJF2 Series

PJF2-196	14.5 x 13.125 x 1.625 (368 x 333 x 141)	4.6 (2.1)	3.9 (1.8)	Epson™ PowerLite 7800p	6.00 3.13 3.25 (152) (79) (83)
PJF2-197	12.75 x 9.5 x 2.5 (324 x 241 x 64)	2.6 (1.2)	1.7 (0.8)	Boxlight® XD-16n	3.25 1.75 1.50 (83) (44) (38)
PJF2-198	12.75 x 9.5 x 2.5 (324 x 241 x 64)	2.6 (1.2)	1.9 (0.9)	Digital Projection iVision	5.00 2.63 3.50 (127) (67) (89)
PJF2-199	12.75 x 9.5 x 2.5 (324 x 241 x 64)	2.6 (1.2)	2.1 (1.0)	NEC™ LT170	5.13 2.50 0.13 (130) (64) (3)
PJF2-201	12.75 x 9.5 x 2.5 (324 x 241 x 64)	3.6 (1.6)	2.6 (1.2)	NEC™ WT600	5.00 0.50 0.00 (127) (13) 0
PJF2-202	12.75 x 9.5 x 2.5 (324 x 241 x 64)	3.6 (1.6)	2.6 (1.2)	Boxlight® MP-60e	5.63 3.01 3.50 (143) (76) (89)
PJF2-203	12.75 x 9.5 x 2.5 (324 x 241 x 64)	2.8 (1.3)	2.2 (1.0)	Optoma™ H76	6.00 3.50 4.75 (152) (89) (121)
PJF2-204	12.75 x 9.5 x 2.5 (324 x 241 x 64)	2.8 (1.3)	2.3 (1.0)	Epson™ PowerLite 10	5.00 3.25 3.50 (127) (83) (89)
PJF2-205	12.75 x 9.5 x 2.5 (324 x 241 x 64)	2.7 (1.2)	2.3 (1.0)	Dukane ImagePro 8742	4.75 2.63 0.38 (121) (67) (10)
PJF2-206	12.75 x 9.5 x 2.5 (324 x 241 x 64)	3.6 (1.6)	2.6 (1.2)	Boxlight® MP-56t	7.88 4.05 0.75 (200) (103) (19)
PJF2-207	12.75 x 9.5 x 2.5 (324 x 241 x 64)	2.4 (1.6)	2.0 (1.2)	NEC™ VT660	4.75 3.00 2.88 (121) (76) (73)
				NEC™ VT770	4.75 3.00 3.25 (121) (76) (83)
PJF2-208	14.5 x 13.125 x 1.625 (368 x 333 x 141)	3.1 (1.4)	2.7 (1.2)	Epson® EMP-TW200	5.75 2.60 3.00 (146) (66) (76)
PJF2-209	12.75 x 9.5 x 2.5 (324 x 241 x 64)	2.4 (1.1)	2.0 (0.9)	Sanyo™ PLC-SU50	4.50 3.00 3.25 (114) (76) (83)
PJF2-210	12.75 x 9.5 x 2.5 (324 x 241 x 64)	3.0 (1.4)	2.5 (1.1)	Proxima™ DP4800x	5.63 3.75 3.00 (143) (95) (76)
PJF2-211	12.75 x 9.5 x 2.5 (324 x 241 x 64)	2.8 (1.3)	2.3 (1.0)	Mitsubishi™ XL8U	4.75 2.63 2.19 (121) (67) (56)
PJF2-212	12.75 x 9.5 x 2.5 (324 x 241 x 64)	2.3 (1.0)	1.9 (0.9)	Studio Experience® Matinee 2HD	4.50 3.13 2.63 (114) (79) (67)
PJF2-213	12.75 x 9.5 x 2.5 (324 x 241 x 64)	3.3 (1.5)	2.9 (1.3)	Sanyo™ PLV-Z2	4.50 3.38 2.63 (114) (86) (67)
PJF2-214	12.75 x 9.5 x 2.5 (324 x 241 x 64)	2.4 (1.1)	1.9 (0.9)	Toshiba™ TLP-ET1	5.75 2.75 2.63 (146) (70) (67)
PJF2-215	21.063 x 18.063 x 1.5 (535 x 459 x 38)	5.8 (2.6)	4.0 (1.8)	Mitsubishi™ XL5950U	6.63 3.75 2.38 (168) (95) (60)
PJF2-216	10 x 9.25 x 1 (254 x 235 x 25)	2.2 (1.0)	1.8 (0.8)	Boxlight® CD-726c	4.25 2.88 3.50 (108) (73) (89)
PJF2-217	10 x 9.25 x 1 (254 x 235 x 25)	2.8 (1.3)	2.4 (1.1)	Boxlight® CD-726c	4.25 3.25 3.50 (108) (83) (89)
PJF2-218	12.75 x 9.5 x 2.5 (324 x 241 x 64)	3.2 (1.5)	2.8 (1.3)	MAXX 1400.0	N/A N/A N/A
PJF2-219	14.5 x 13.125 x 1.625 (368 x 333 x 141)	2.6 (1.2)	2.2 (1.0)	MAXX Mustang	N/A N/A N/A
PJF2 220	12.75 x 9.5 x 2.5 (324 x 241 x 64)	2.7 (1.2)	2.3 (1.0)	InFocus® LP600	4.00 2.38 2.40 (102) (60) (61)
PJF2 221	12.75 x 9.5 x 2.5 (324 x 241 x 64)	2.9 (1.3)	2.4 (1.1)	InFocus® LP540	6.38 2.13 2.94 (162) (54) (75)
PJF2 222	12.75 x 9.5 x 2.5 (324 x 241 x 64)	2.3 (1.0)	1.8 (0.8)	Mitsubishi™ XD50U	4.75 1.94 2.13 (121) (49) (54)

TECHNICAL DATA SHEET

MODELS: PJF2 Series

PJF2 223	12.75 x 9.5 x 2.5 (324 x 241 x 64)	2.7 (1.2)	2.3 (1.0)	Panasonic® PT-LM1U	3.63 2.13 2.50 (92) (54) (64)
PJF2 224	12.75 x 9.5 x 2.5 (324 x 241 x 64)	3.6 (1.6)	3.1 (1.4)	Sanyo™ PLC-XU60	4.75 3.75 3.81 (121) (95) (97)
PJF2 225	12.75 x 9.5 x 2.5 (324 x 241 x 64)	2.5 (1.1)	2.1 (1.0)	LG RL-JA20	6.25 3.00 0.75 (159) (76) (19)
PJF2 226	12.75 x 9.5 x 2.5 (324 x 241 x 64)	3.3 (1.5)	2.8 (1.3)	Primax PLZ-933 & PLZ-933W	5.38 3.25 2.38 (137) (83) (60)
PJF2 227	12.75 x 9.5 x 2.5 (324 x 241 x 64)	2.4 (1.1)	1.9 (0.9)	Canon™ LV-S3	3.81 2.56 3.19 (97) (65) (81)
PJF2 228	12.75 x 9.5 x 2.5 (324 x 241 x 64)	2.4 (1.1)	2.0 (0.9)	Viewsonic™ PJ250	3.50 2.00 2.00 (89) (51) (51)
PJF2 229	12.75 x 9.5 x 2.5 (324 x 241 x 64)	2.7 (1.2)	2.2 (1.0)	Viewsonic™ PJ750	4.63 2.75 2.75 (118) (70) (70)
PJF2 230	12.75 x 9.5 x 2.5 (324 x 241 x 64)	2.3 (1.0)	1.8 (0.8)	Boxlight® CP-325m	6.38 1.81 2.94 (162) (46) (75)
PJF2 231	12.75 x 9.5 x 2.5 (324 x 241 x 64)	2.5 (1.1)	2.0 (0.9)	Boxlight® SP-48z	5.38 2.50 1.50 (137) (64) (38)
PJF2 232	12.75 x 9.5 x 2.5 (324 x 241 x 64)	2.7 (1.2)	2.3 (1.0)	Hitachi® CP-S235	4.06 3.25 3.00 (103) (83) (76)
PJF2 233	12.75 x 9.5 x 2.5 (324 x 241 x 64)	2.8 (1.3)	2.3 (1.0)	NEC™ VT47	5.75 3.13 2.63 (146) (80) (67)
PJF2 234	12.75 x 9.5 x 2.5 (324 x 241 x 64)	2.5 (1.1)	2.1 (1.0)	PLUS™ U5-232	5.25 2.38 2.13 (133) (60) (54)
PJF2 235	12.75 x 9.5 x 2.5 (324 x 241 x 64)	2.8 (1.3)	2.3 (1.0)	Epson™ PowerLite 81P	3.50 3.00 3.63 (89) (76) (92)
PJF2 236	12.75 x 9.5 x 2.5 (324 x 241 x 64)	2.8 (1.3)	2.3 (1.0)	Hitachi® PJT-X100	3.50 3.00 3.63 (89) (76) (92)
PJF2 237	12.75 x 9.5 x 2.5 (324 x 241 x 64)	2.4 (1.1)	2.0 (0.9)	Sony™ VPL-DS100	4.89 2.48 2.13 (124) (63) (54)
PJF2 238	12.75 x 9.5 x 2.5 (324 x 241 x 64)	2.6 (1.1)	2.2 (0.9)	NEC™ HT410	6.50 3.13 1.63 (165) (80) (41)
				NEC™ HTOEM	5.75 3.13 1.63 (146) (80) (41)
PJF2 239	12.75 x 9.5 x 2.5 (324 x 241 x 64)	2.5 (1.1)	2.0 (0.9)	Sony™ VPL-CX70	4.38 2.38 2.25 (111) (60) (57)
PJF2 240	12.75 x 9.5 x 2.5 (324 x 241 x 64)	2.2 (1.0)	1.7 (0.8)	Optoma™ EzPro 739	3.00 3.00 2.50 (76) (76) (64)
PJF2 241	12.75 x 9.5 x 2.5 (324 x 241 x 64)	2.6 (1.2)	2.2 (1.0)	Hitachi® CP-S335	4.38 2.50 3.00 (111) (64) (76)
PJF2 242	12.75 x 9.5 x 2.5 (324 x 241 x 64)	3.1 (1.4)	2.7 (1.2)	Mitsubishi® XD450U	4.69 2.88 0.00 (119) (73) 0
PJF2 243	12.75 x 9.5 x 2.5 (324 x 241 x 64)	3.1 (1.4)	2.7 (1.2)	Toshiba® TDP-T90U	5.13 3.00 3.63 (130) (76) (92)
PJF2 244	12.75 x 9.5 x 2.5 (324 x 241 x 64)	2.9 (1.3)	2.4 (1.1)	Sharp™ XG-MB70X	5.13 3.00 3.63 (130) (76) (92)
PJF2 245	12.25 x 9.625 x 4.0 (311 x 244 x 102)	3.9 (1.8)	3.2 (1.5)	Yamaha™ LPX-510	5.63 3.63 3.00 (143) (92) (76)
PJF2 246	12.75 x 9.5 x 2.5 (324 x 241 x 64)	2.7 (1.2)	2.2 (1.0)	Sony™ VPL-HS51	7.13 3.75 2.38 (181) (95) (60)
PJF2 247	12.75 x 9.5 x 2.5 (324 x 241 x 64)	2.8 (1.3)	2.3 (1.0)	Hitachi® CP-X445	4.63 3.00 2.75 (118) (76) (70)
PJF2 248	12.75 x 9.5 x 2.5 (324 x 241 x 64)	2.2 (1.0)	1.7 (0.8)	BenQ™ PB2240	3.75 2.25 2.00 (95) (57) (51)

TECHNICAL DATA SHEET

MODELS: PJF2 Series

PJF2 249	12.75 x 9.5 x 2.5 (324 x 241 x 64)	3.0 (1.4)	2.5 (1.1)	Toshiba™ TDP-S20	5.75 (146)	3.00 (76)	3.13 (80)
PJF2 250	12.75 x 9.5 x 2.5 (324 x 241 x 64)	2.4 (1.1)	1.9 (0.9)	Studio Experience™ Premier 30HD	6.25 (159)	4.25 (108)	1.75 (44)
PJF2 251	14.5 x 13.13 x 1.63 (368 x 333 x 41)	4.4 (2.0)	4.0 (1.8)	Epson™ PowerLite 8300i	8.88 (226)	4.50 (114)	1.25 (32)
PJF2 252	12.75 x 9.5 x 2.5 (324 x 241 x 64)	2.2 (1.0)	1.7 (0.8)	Dell™ 4100MP	4.75 (121)	3.00 (76)	4.50 (114)
PJF2 254	12.75 x 9.5 x 2.5 (324 x 241 x 64)	2.9 (1.3)	2.4 (1.1)	Cannon™ Realis SX50	6.13 (156)	2.75 (70)	2.56 (65)
PJF2 255	12.75 x 9.5 x 2.5 (324 x 241 x 64)	2.3 (1.0)	1.8 (0.8)	Optoma™ Ez Pro 759	5.70 (145)	4.20 (107)	4.20 (107)
PJF2 256	12.75 x 9.5 x 2.5 (324 x 241 x 64)	2.3 (1.0)	1.8 (0.8)	NEC™ LT10	3.25 (83)	2.13 (54)	2.00 (51)
PJF2 257	12.75 x 9.5 x 2.5 (324 x 241 x 64)	2.5 (1.1)	2.1 (1.0)	Epson™ PowerLite 745c	3.63 (92)	2.38 (60)	2.63 (67)
PJF2 258	12.75 x 9.5 x 2.5 (324 x 241 x 64)	2.5 (1.1)	2.1 (1.0)	Epson™ PowerLite S3	3.25 (83)	2.25 (57)	3.50 (89)
PJF2 259	12.75 x 9.5 x 2.5 (324 x 241 x 64)	3.0 (1.4)	2.6 (1.2)	Sharp™ XG-PH50X	7.38 (187)	4.38 (111)	3.00 (76)
PJF2 260	21 x 16.5 x 3.5 (533 x 419 x 89)	5.6 (2.5)	4.6 (2.1)	Sanyo™ PLC-XT16	8.00 (203)	4.50 (114)	0.75 (19)
PJF2 261	12.25 x 9.63 x 4 (311 x 244 x 102)	3.6 (1.6)	1.6 (0.7)	Panasonic® PT-LB30U	4.50 (114)	2.75 (70)	3.50 (89)
PJF2 262	14.5 x 13.13 x 1.63 (368 x 333 x 41)	4.3 (2.0)	3.9 (1.8)	BenQ PE7700	6.00 (152)	3.20 (81)	3.70 (94)
PJF2 263	12.75 x 9.50 x 2.50 (324 x 241 x 64)	3.1 (1.4)	1.6 (0.7)	Hewlett-Packard® XP8020	7.00 (178)	4.00 (102)	4.50 (114)
PJF2 264	12.75 x 9.50 x 2.50 (324 x 241 x 64)	3.1 (1.4)	2.6 (1.2)	Sharp™ XR-20X	7.00 (178)	3.25 (83)	3.25 (83)
PJF2 265	12.75 x 9.50 x 2.50 (324 x 241 x 64)	3.1 (1.4)	2.6 (1.2)	NEC™ LT35	5.00 (127)	2.83 (72)	3.25 (83)
PJF2 266	12.75 x 9.50 x 2.50 (324 x 241 x 64)	3.0 (1.4)	2.6 (1.2)	Hitachi™ CP-RS55	3.13 (80)	2.38 (60)	3.13 (80)
PJF2 267	12.75 x 9.50 x 2.50 (324 x 241 x 64)	3.2 (1.5)	2.7 (1.2)	NEC™ VT48	5.13 (130)	3.19 (81)	3.25 (83)
PJF2 268	12.75 x 9.50 x 2.50 (324 x 241 x 64)	3.2 (1.5)	3.7 (1.7)	Panasonic™ PT-D3500U	8.56 (217)	4.25 (108)	0.00 (0)
PJF2 270	12.75 x 9.50 x 2.50 (324 x 241 x 64)	3.3 (1.5)	2.8 (1.3)	Eiki™ LC-XB23	3.88 (99)	2.75 (70)	3.13 (80)
PJF2 BX1	12.75 x 9.5 x 2.5 (324 x 241 x 64)	2.6 (1.2)	2.0 (0.9)	Boxlight® CD-555M	5.00 (127)	6.00 (152)	3.50 (89)
PJF2 BX2	12.75 x 9.5 x 2.5 (324 x 241 x 64)	2.6 (1.2)	2.0 (0.9)	Boxlight® CP-731i	4.50 (114)	6.00 (152)	2.50 (64)
PJF2 BX3	12.75 x 9.5 x 2.5 (324 x 241 x 64)	2.6 (1.2)	1.9 (0.9)	Boxlight® SP5T	7.00 (178)	2.25 (57)	1.00 (25)
PJF2 BX4	14.5 x 13.125 x 1.625 (368 x 333 x 41)	4.6 (2.1)	3.3 (1.5)	Boxlight® MP40T	9.75 (248)	3.25 (83)	0.25 (6)
PJF2 BX5	12.75 x 9.5 x 2.5 (324 x 241 x 64)	2.6 (1.2)	1.8 (0.8)	Boxlight® XP-8T	5.75 (146)	2.25 (57)	2.25 (57)
PJF2 EP2	12.75 x 9.5 x 2.5 (324 x 241 x 64)	3.6 (1.6)	2.7 (1.2)	Epson™ PowerLite 7700P	8.00 (203)	3.50 (89)	1.75 (44)
PJF2 EP3	12.75 x 9.5 x 2.5 (324 x 241 x 64)	2.6 (1.2)	2.5 (1.1)	Epson™ PowerLite 50C	4.75 (121)	3.20 (81)	3.00 (76)
PJF2 EPELP7300	13.5 x 11.75 x 1.5 (343 x 298 x 38)	4.6 (2.1)	3.1 (1.4)	Epson™ ELP7300	6.50 (165)	1.50 (38)	2.00 (51)
PJF2 HT5	12.75 x 9.5 x 2.5 (324 x 241 x 64)	3.6 (1.6)	3.0 (1.4)	Hitachi® CP-X935W	5.75 (146)	1.88 (48)	1.25 (32)
PJF2 HT7	14.5 x 13.125 x 1.625 (368 x 333 x 41)	3.6 (1.6)	3.3 (1.5)	Hitachi® CP-X960W & CP-S860W	6.88 (175)	2.21 (56)	1.22 (31)
PJF2 HT8	12.75 x 9.5 x 2.5 (324 x 241 x 64)	2.6 (1.2)	2.1 (1.0)	Hitachi® CP-S220W, CP-X270, CP-S225W, CP-X275	4.00 (102)	1.50 (38)	2.00 (51)
PJF2 HTEE	12.75 x 9.5 x 2.5 (324 x 241 x 64)	3.0 (1.4)	2.5 (1.1)	Hitachi® SRC-101	7.31 (186)	5.25 (133)	4.75 (121)

TECHNICAL DATA SHEET

MODELS: PJF2 Series

PJF2 HUG1000	12.75 x 9.5 x 2.5 (324 x 241 x 64)	5.6 (2.5)	4.6 (2.1)	Hughes™ JVCG1000	8.00 (203)	4.50 (114)	3.00 (76)
PJF2 IF5	14.5 x 13.125 x 1.625 (368 x 333 x 41)	4.6 (2.1)	3.7 (1.7)	InFocus® LP770	N/A	N/A	N/A
PJF2 IF6	14.5 x 13.125 x 1.625 (368 x 333 x 41)	4.4 (2.0)	3.2 (1.5)	Infocus® IOPEN 920	10.38 (264)	7.75 (197)	2.88 (73)
PJF2 MIT1	12.75 x 9.5 x 2.5 (324 x 241 x 64)	3.6 (1.6)	2.3 (1.0)	Mitsubishi™ X50, X70 & S50	6.50 (165)	1.00 (25)	1.50 (38)
PJF2 MIT2	13.5 x 11.75 x 1.5 (343 x 298 x 38)	4.6 (2.1)	4.2 (1.9)	Mitsubishi™ X400	7.00 (178)	1.25 (32)	3.00 (76)
PJF2 NC1	12.75 x 9.5 x 2.5 (324 x 241 x 64)	3.6 (1.6)	1.8 (0.8)	NEC™ LT140	6.50 (165)	2.00 (51)	2.50 (64)
PJF2 NC2	12.75 x 9.5 x 2.5 (324 x 241 x 64)	3.6 (1.6)	2.5 (1.1)	NEC™ MT840	7.13 (181)	3.18 (81)	1.90 (48)
PJF2 NC3	12.75 x 9.5 x 2.5 (324 x 241 x 64)	2.6 (1.2)	2.3 (1.0)	NEC™ VT440 & VT450	5.40 (137)	2.10 (53)	1.40 (36)
PJF2 NC4	12.75 x 9.5 x 2.5 (324 x 241 x 64)	2.6 (1.2)	2.3 (1.0)	NEC™ LT 85 & LT 150	4.25 (108)	2.00 (51)	3.00 (76)
PJF2 PA7	12.75 x 9.5 x 2.5 (324 x 241 x 64)	4.6 (2.1)	2.9 (1.3)	Panasonic® PT-LZ11U	5.88 (149)	2.13 (54)	0.75 (19)
PJF2 PA8	18 x 13 x 2 (457 x 330 x 51)	5.5 (2.5)	4.6 (2.1)	Panasonic® PT-L6500U	8.25 (210)	3.00 (76)	0.00 (0)
PJF2 PH1	12.25 x 9.625 x 4 (311 x 244 x 102)	4.6 (2.1)	2.9 (1.3)	Philips® Hopper SV1	7.00 (178)	3.00 (76)	4.00 (102)
PJF2 PH2	14.5 x 6.5 x 4 (368 x 165 x 102)	5.6 (2.5)	4.2 (1.9)	Philips® SV1, XG1 IMPACT, XG1	5.00 (127)	2.63 (67)	3.50 (89)
PJF2 SA10	12.75 x 9.5 x 2.5 (324 x 241 x 64)	3.6 (1.6)	2.3 (1.0)	Sanyo™ SP-45m	6.10 (155)	2.50 (64)	0.99 (25)
PJF2 SA22	12.75 x 9.5 x 2.5 (324 x 241 x 64)	3.6 (1.6)	2.6 (1.2)	Sanyo™ SU22N	7.00 (178)	1.40 (36)	1.00 (25)
PJF2 SAPLC9000N	18.625 x 12.75 x 6.125 (473 x 324 x 156)	15.6 (7.1)	13.1 (5.9)	Sanyo™ PLC9000N	N/A	N/A	N/A
PJF2 SASP10N	14.5 x 13.125 x 1.625 (368 x 333 x 41)	4.6 (2.1)	3.3 (1.5)	Sanyo™ SP10N	7.00 (178)	3.00 (76)	0.50 (13)
PJF2 SNY1	12.75 x 9.5 x 2.5 (324 x 241 x 64)	3.6 (1.6)	2.3 (1.0)	Sony™ VPL-VW10HT	8.00 (203)	4.50 (114)	2.00 (51)
PJF2 SNY2A	12.75 x 9.5 x 2.5 (324 x 241 x 64)	4.6 (2.1)	3.0 (1.4)	Sony™ VPL-PX20	5.13 (130)	4.50 (114)	2.25 (57)
PJF2 SNY4	12.75 x 18.625 x 6.125 (324 x 473 x 156)	3.6 (1.6)	2.7 (1.2)	Sony™ VPL-FX50	8.50 (216)	3.00 (76)	0.00 (0)
PJF2 SP6	12.75 x 9.5 x 2.5 (324 x 241 x 64)	2.6 (1.2)	1.7 (0.8)	Sharp® XG-NV6XU	5.50 (140)	2.30 (58)	0.30 (8)
PJF2 SP7	12.75 x 9.5 x 2.5 (324 x 241 x 64)	3.6 (1.6)	2.5 (1.1)	Sharp® PG-C30XU	7.25 (184)	3.25 (83)	1.00 (25)
PJF2 SP9	12.75 x 9.5 x 2.5 (324 x 241 x 64)	2.6 (1.2)	2.1 (1.0)	Sharp® XG-P20XU	8.50 (216)	5.00 (127)	0.60 (15)