

TECHNICAL DATA SHEET - PRG-Precision Gear Projector Mount

peerless®

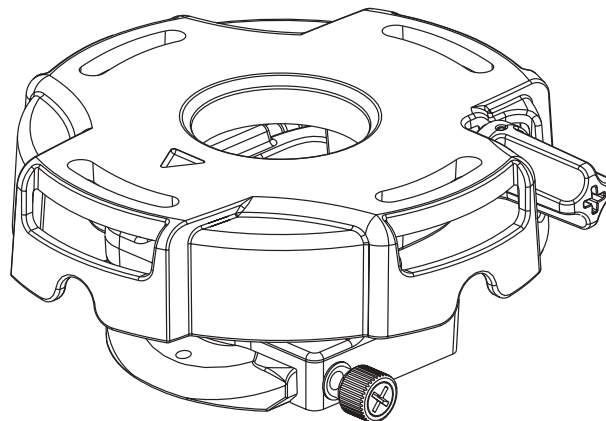
MODELS: PRG-1, PRG-1S, PRG-1W



Patent pending precision gears provide pinpoint image alignment with a simple turn of the adjustment knobs for tilt and roll.

Features:

- Color: Black, Silver, White
- Patent pending precision gear provides accurate projector image alignment
- Two adjustment knobs control projector image alignment
- Horizontal wrench access slots make flush mounting installations fast & easy
- Pre-assembled design reduces installation time
- Quick release mechanism to easily service projector
- Cable management allows cables to be routed through projector mount out of sight.
- Security hardware included for theft prevention
- Tilt $\pm 20^\circ$, Roll $\pm 10^\circ$, Swivel (yaw) 360°
- Model specific adapter plate, or universal clamp style adapter plates available.
- Tilt and roll locking security screws provided



Dimensions:

For product dimensions, see page 2.

Accessories:

- Suspended Ceiling Kits (CMJ series)
- Ceiling plates (various models available)
- Extension Columns (various models available)
- Cord Management Adapter (ACC 800)
- extension collar connector (ACC 109)
- Projector Wall Arm (PWA-14)
- Truss Ceiling Adapter (ACC 557)
- Unistrut Adapter (ACC 550)
- I-beam Clamps (ACC 558, ACC 559)
- Cathedral Ceiling Plate (ACC 912)
- Anti-vibration Plate (ACC 840, ACC 845)
- Side-side Adjuster (ACC 830)
- Cord Wrap (ACC 852, ACC 852S, ACC 852W)
- Escutcheon ring (ACC 640)

ARCHITECTS SPECIFICATIONS

The **PRG-Precision Gear Projector Mount** shall be a Peerless model _____ and shall be located where indicated on the plans. It shall feature 20° pitch (tilt), 10° roll, 360° swivel (yaw) (when attached to an extension column), and 15° swivel (when flush mounted). It shall have a 50 lb load capacity. It shall be constructed of aluminum alloy finished in black, white, or silver. Assembly and installation shall be done according to instructions provided by the manufacturer.

Peerless Industries, Inc.

3215 W. North Ave. Melrose Park, IL 60160
708-865-8870 800-865-2112 Fax 708-865-2941

www.peerlessmounts.com

ISSUED: 09-07-07 SHEET NO: 056-9617-1

TECHNICAL DATA SHEET

MODELS: PRG-1, PRG-1S, PRG-1W

All dimensions shown as: $\frac{\text{inch}}{\text{(mm)}}$

Dimensions:**Weight:**

1.56 lb (.71 kg)

Shipping weight:

1.82 lb (.83 kg)

Maximum Load Capacity:

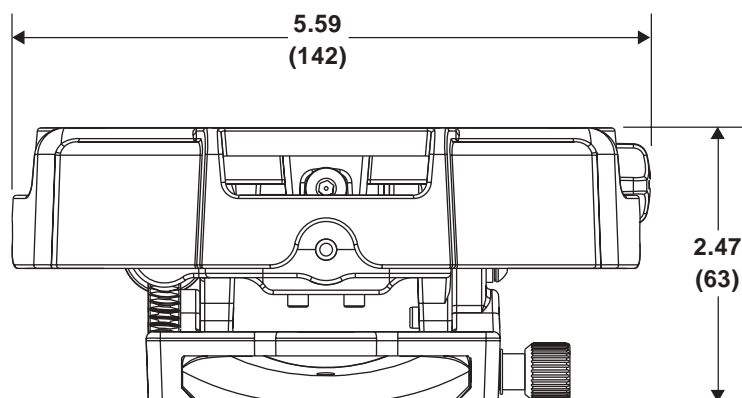
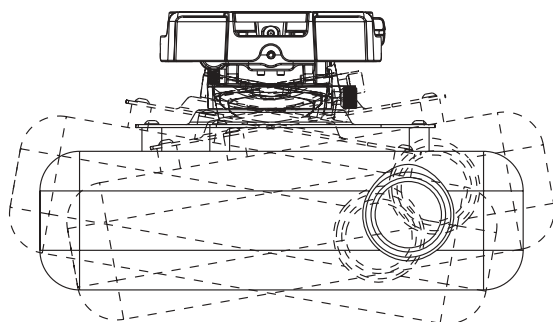
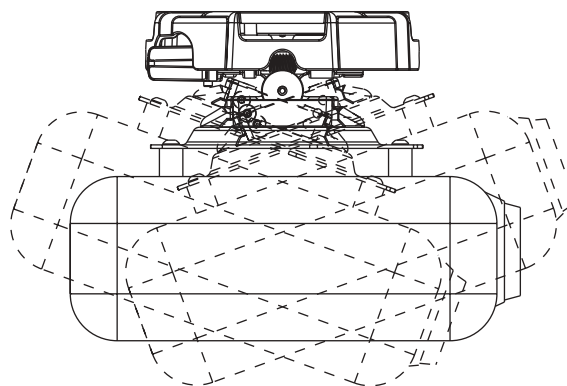
50 lb (22.7 kg)

Shipping Carton dimensions:

L = 7.125 in (181 mm)

W = 6.5 in (165 mm)

H = 3 in (76.2 mm)

ROLL $\pm 10^\circ$ PITCH $\pm 20^\circ$ 

SWIVEL (YAW) 360° (when attached to an extension column), $\pm 15^\circ$ (when flush mounted)

