



**MISSING A PART?**  
There is no need to return  
this item to the store.  
Instead call our TOLL FREE  
HOTLINE.

**1-800-990-6003**

We appreciate your purchase of the HyLoft storage system. Diamond Storage Concepts has made every effort to supply a quality product that insures a lifetime of trouble-free service. In the event that you have any type of problems and BEFORE RETURNING THE UNIT TO THE SELLER, please call our toll free number **1-800-990-6003**.

### **HyLoft 36" x 18" Limited Warranty**

Diamond Storage Concepts warrants this product against defects in material or workmanship for the life of the product. Diamond Storage Concepts agrees to either repair the product or replace it at the sole discretion of Diamond Storage Concepts. This warranty does not include any costs associated with the physical installation, removal or return of the HyLoft storage system.

**This warranty is valid and enforceable provided that the maximum weight supported by each 36" x 18" HyLoft unit does not exceed 150 pounds, evenly distributed. The customer, dealer, and/or installer releases Diamond Storage Concepts of all claims, which includes the HyLoft unit and the structure it is attached to, if the loaded weight exceeds 150 pounds. The unit must also be installed according to the manufacturer's instructions. At no time should you install more than three HyLoft units on any two wall studs. All fasteners must be checked and tightened at least annually.**

Only the original purchaser of this product is extended this warranty. No warranty work will be provided under this warranty without purchaser's receipt or other proof of the date of original purchase acceptable to Diamond Storage Concepts. Proof of the date of purchase must be provided to Diamond Storage Concepts if the product is returned.

This Diamond Storage Concepts limited warranty covers product failure due to defects in materials or workmanship ONLY! It does not cover corrosion, rust or discoloration of its components, or product failure due to misuse, abuse, faulty installation, alteration, lack of reasonable care, or any other failure not related to defects in materials or workmanship.

There are NO other warranties expressed or implied except those stated here in as required by applicable law.

DIAMOND STORAGE CONCEPTS SHALL NOT BE LIABLE FOR INCIDENTAL, SPECIAL OR CONSEQUENTIAL DAMAGES RESULTING FROM THE USE OF THE PRODUCT OR ARISING OUT OF ANY BREACH OF THIS WARRANTY. ALL IMPLIED WARRANTIES, IF ANY, INCLUDING IMPLIED WARRANTIES OF MERCHANTABILITY AND FITNESS FOR A PARTICULAR PURPOSE, ARE LIMITED IN DURATION TO THE DURATION OF THIS WARRANTY. Some states do not allow the exclusion or limitation of incidental or consequential damages, or limitations on how long an implied warranty lasts, so the above exclusions or limitations may not apply to you. No other warranty, written or verbal, will be honored for this product. This warranty gives you specific legal rights and you may also have other rights that vary from state to state.

Diamond Storage Concepts is not responsible for damages of merchandise in transit. Repaired or replaced products shall be subject to the terms of this warranty, to be inspected by Diamond prior to return shipment. Damages incurred during transit should be reported at once to the carrier and a claim should be filed with them.

**Diamond Storage Concepts LLC**  
**Las Vegas, Nevada 89118 U.S.A.**  
e-mail: [info@DiamondStorageConcepts.com](mailto:info@DiamondStorageConcepts.com)

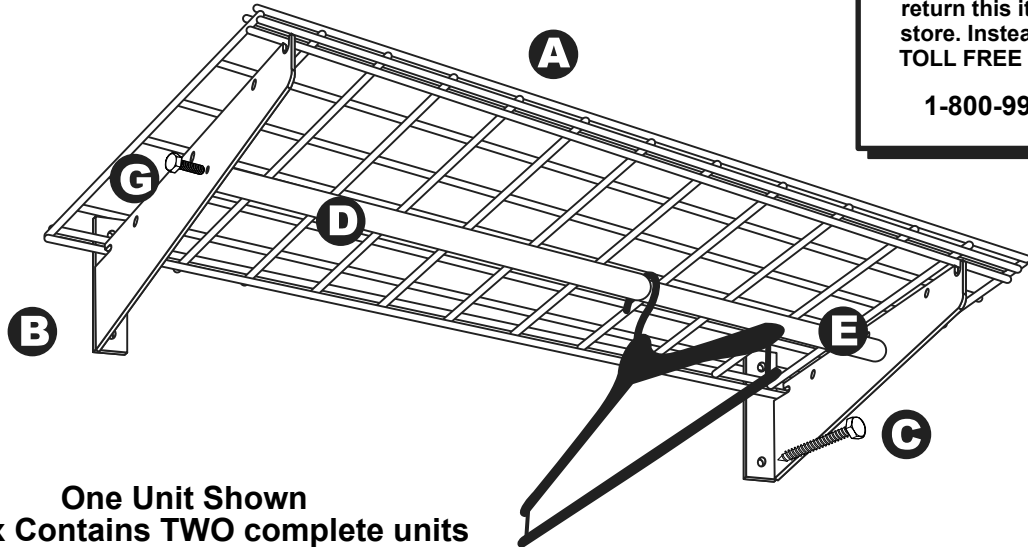
For more information, accessories and frequently asked questions, visit the Hyloft web site:  
**[www.Hyloft.com](http://www.Hyloft.com)**



# INSTALLATION INSTRUCTIONS

## HyLoft 36" x 18" Shelf

**MISSING A PART?**  
 There is no need to return this item to the store. Instead call our TOLL FREE HOTLINE.  
**1-800-990-6003**



One Unit Shown  
 Box Contains TWO complete units

**Parts Included:**

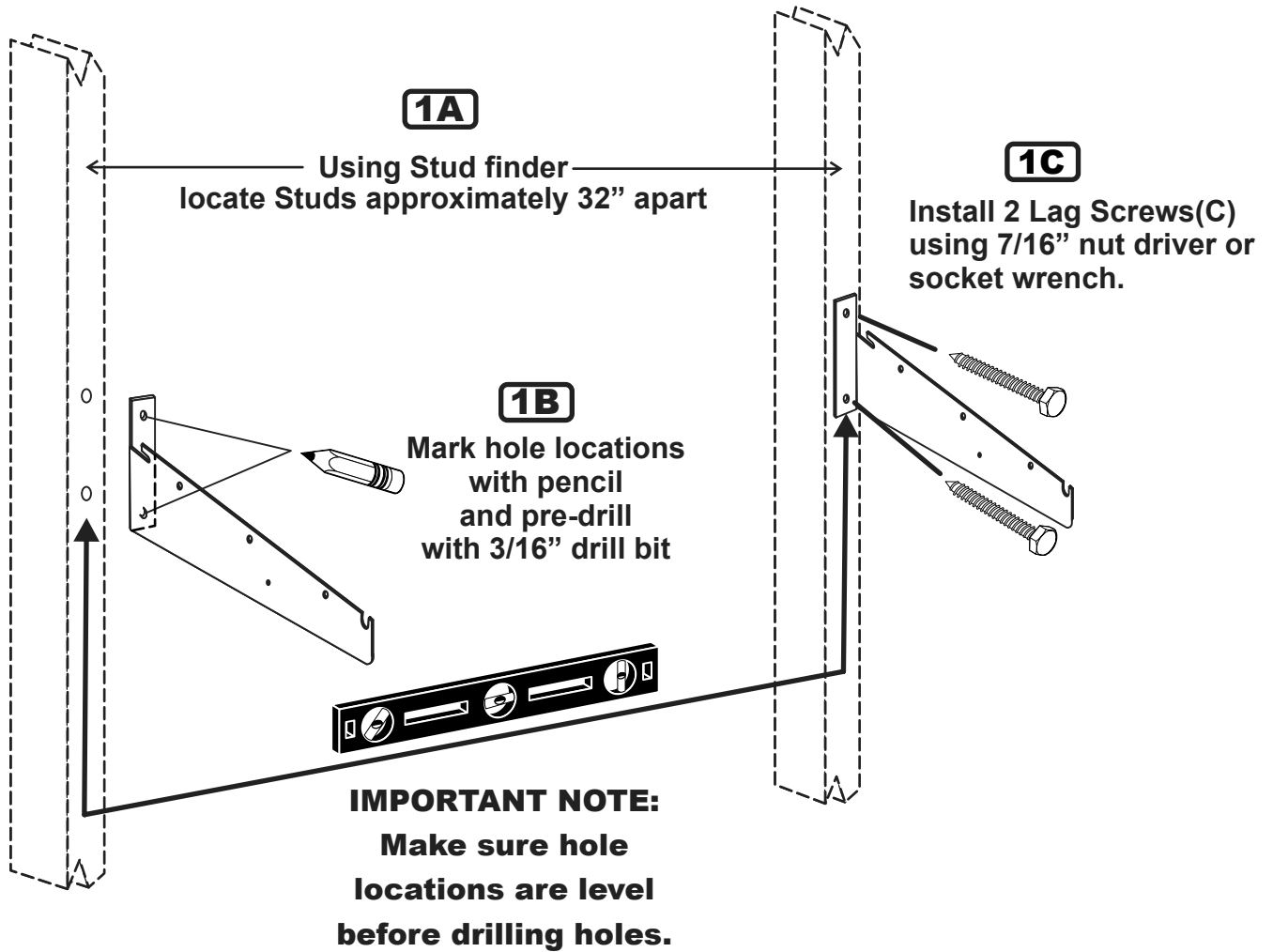
<p><b>A</b> 2 wire grids</p>	<p><b>B</b> 4 Shelf Brackets-2 left and 2 right</p>	<p><b>C</b> 12 Lag Screws 1/4 x 2 1/2" (6 x 64 mm)</p>
<p><b>D</b> 2 Large Clothes Rods</p> <p><b>E</b> 2 Thinner Clothes Rods</p>	<p><b>F</b> 4 Rubber Stoppers</p> <p><b>G</b> 4 Hex Bolts 1/4" x 1/2".</p>	<p><b>H</b> HyLoft Sticker</p>

**Tools required for installing the 36" x 18" shelves:**

- 7/16" (11 mm) Wrench • Stud Finder • Drill and 3/16"(5 mm) drill bit
- Socket Wrench and 7/16"(11 mm) Socket • Tape Measure • Pencil • Level



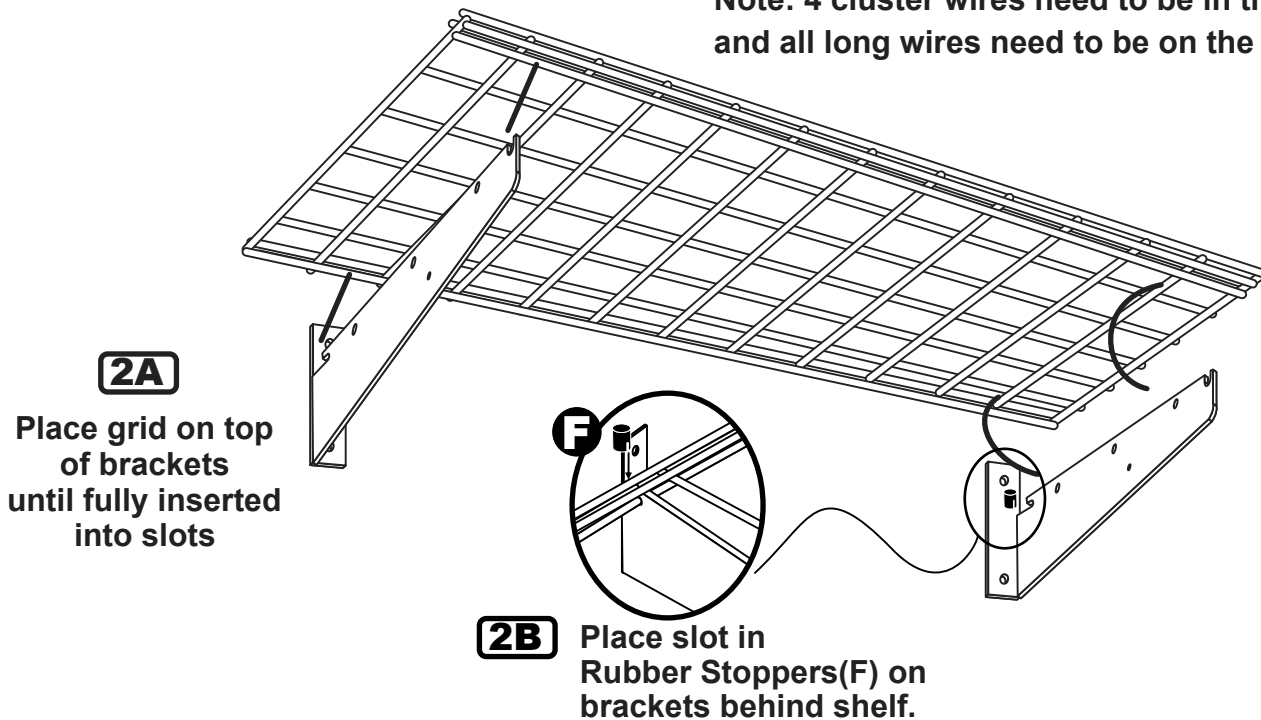
# INSTALL SHELF BRACKETS INTO WALL STUDS



## 2

### PLACE AND ATTACH GRIDS

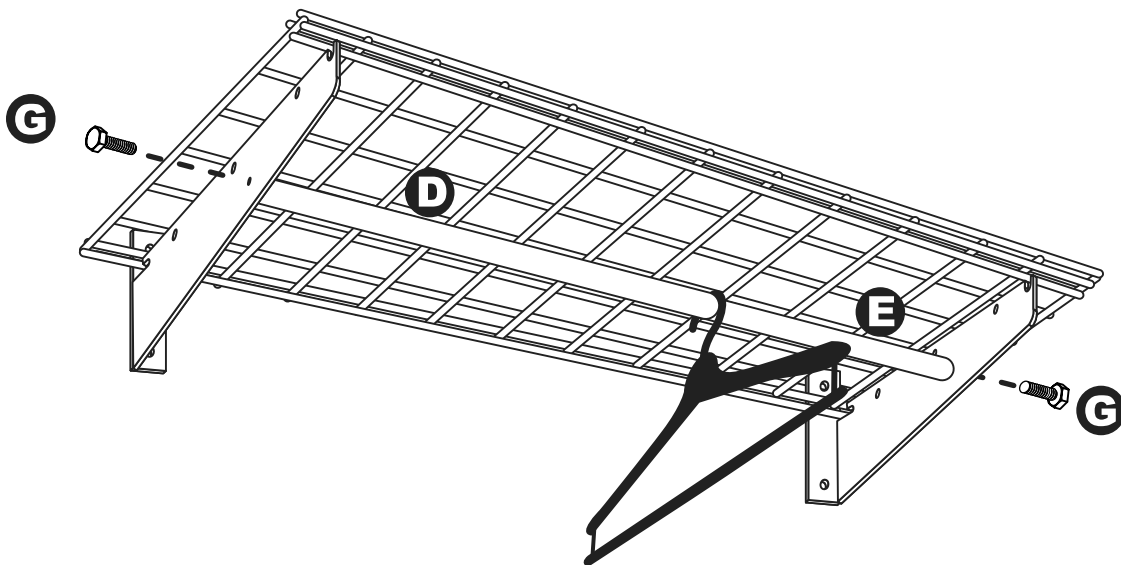
Note: 4 cluster wires need to be in the front and all long wires need to be on the top.



## 3

### ATTACH CLOTHING RODS(OPTIONAL)

Insert thin clothes rod (E) into larger clothes rod (D). Attach rod assembly with 1/2" screws (G) into ends of clothes rods (D & E) as shown.



You have now completed the installation and are ready to load your new HyLoft Shelf. **(Maximum 150 lbs. per 18" x 36" unit, evenly distributed)**. Place the sticker provided on a bracket for easy access to reference information.

Periodically (at least annually) check all connections to ensure that they remain tightly fastened.