

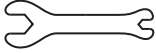
# Coronado Post (Model 5515)

## Installation and Assembly Instructions

Thank you for purchasing this premium mailbox post. We know you'll be satisfied with the years of service it will provide. If you have any questions about how to mount or use this post, or if you need any replacement parts, please call us directly at (800) 464-7491 or contact us at [www.architecturalmailboxes.com](http://www.architecturalmailboxes.com).

### Tools

Small wrench  
(included)



Socket head  
driver or pliers

Phillips head  
screwdriver



### Hardware

x 4, long carriage bolts

x 4, short hex bolts

x 12, washers

x 8, large nuts

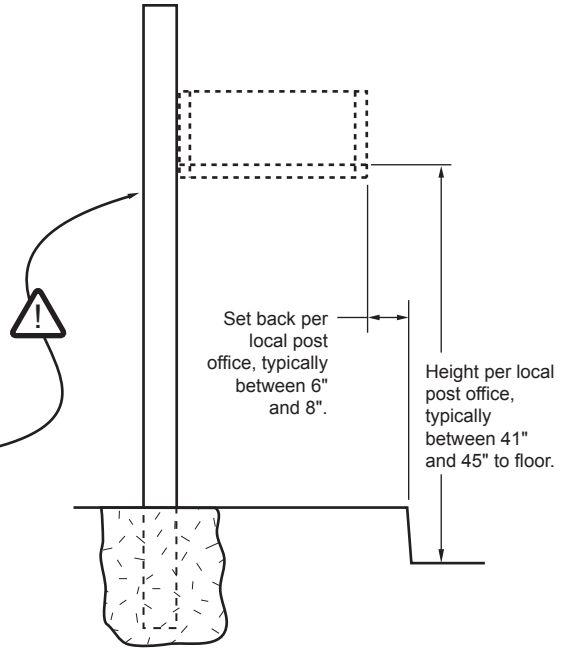
x 2, small nuts

x 1, small screw

### 1

Dig a hole deep enough to allow the box to sit at the specified height, as required by your local post office. The height from the road level to the mailbox floor is typically between 41 and 45 inches. *As a point of reference, the height from the road surface to the lower bracket mounting holes is typically between 35 and 39 inches.* Make sure the hole is set back from the road such that the distance from the curb to the mailbox handle meets local post office requirements, typically between 6 and 8 inches.

Insert the post with the **square mounting holes facing toward the back and the round mounting holes facing forward.** Pour the concrete (at least 1 cubic foot recommended) completely around the post, making sure the post remains level and correctly positioned according to your local post office. Allow the concrete to set.

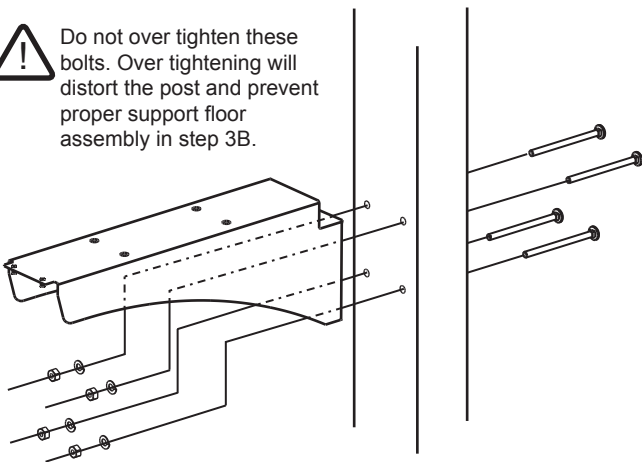


### 2

After the concrete has set, attach the support bracket to the post as shown, making sure the carriage bolts are inserted into the square holes first. Use the small spanner tool included to tighten the nuts inside the support bracket until they are snug.



Do not over tighten these bolts. Over tightening will distort the post and prevent proper support floor assembly in step 3B.



### 3

(A) Attach the mailbox to the support bracket using the short hex bolts. Use the remaining washers on the inside of the mailbox and bracket, and secure with the 4 remaining nuts.

(B) After attaching the mailbox to the support bracket, insert the support bracket cover onto the pins at the base of the bracket and pivot upward until the cover is in place. If it is difficult to insert the cover onto the pins, loosen the support bracket bolts slightly, then retighten them after inserting the cover. You may need to deflect the cover slightly around the mailbox frame to fit it into place. Secure the cover to the support bracket using the two small nuts and a pair of pliers or a hex driver.

(C) Insert the finial into the top of the post and secure using the small Phillips head screw.

