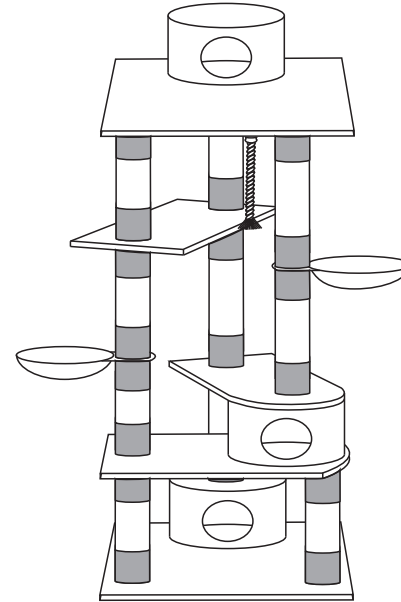


**PLEASE NOTE:** IT WILL BE BEST TO SORT AND GROUP ALL THE SAME SIZE POSTS ACCORDING TO THEIR LENGTH AND DIFFERENT PARTS TOGETHER PRIOR TO INSTALLATION

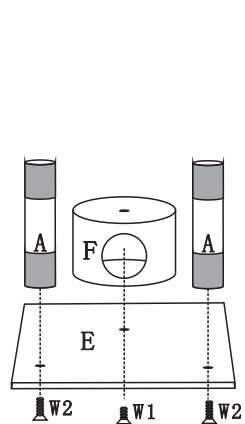
F-2050



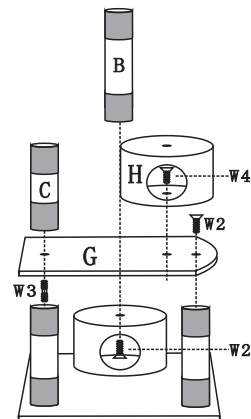
|                            |                            |                           |
|----------------------------|----------------------------|---------------------------|
| A<br>ø3"*15.7"<br><br>5pcs | B<br>ø3"*17"<br><br>3pcs   | C<br>ø3"*11.8"<br><br>1pc |
| D<br>ø3"*17.7"<br><br>1pc  | E<br>23"*23"<br><br>1pc    | F<br>ø11.4"*9"<br><br>1pc |
| G<br>23"*12"<br><br>1pc    | H<br>ø12"*H9.5"<br><br>1pc | I<br>23"*12"<br><br>1pc   |
| J<br>ø12"<br><br>2pcs      | K<br>21"*12"<br><br>1pc    | L<br>23"*23"<br><br>1pc   |
| M<br>ø12"*H9.5"<br><br>1pc | N<br>L20"<br><br>1pc       |                           |



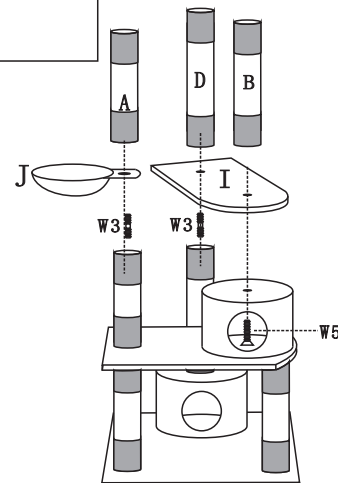
|  |    |                       |
|--|----|-----------------------|
|  |    | 1pc                   |
|  | W1 | ø 0.31"*1.1"<br>1pc   |
|  | W2 | ø 0.31"*1.57"<br>6pcs |
|  | W3 | ø 0.31"*3.1"<br>6pcs  |
|  | W4 | ø 0.31"*1.37"<br>1pc  |
|  | W5 | ø 0.31"*2.36"<br>2pcs |



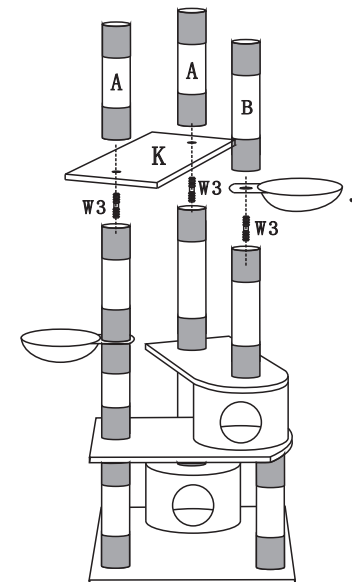
step 1



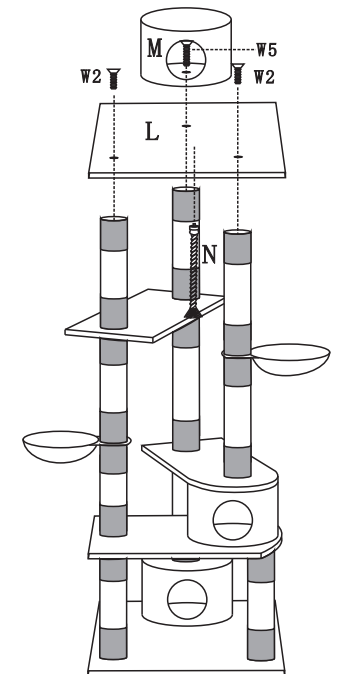
step 2



step 3



step 4



step 5