
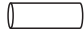





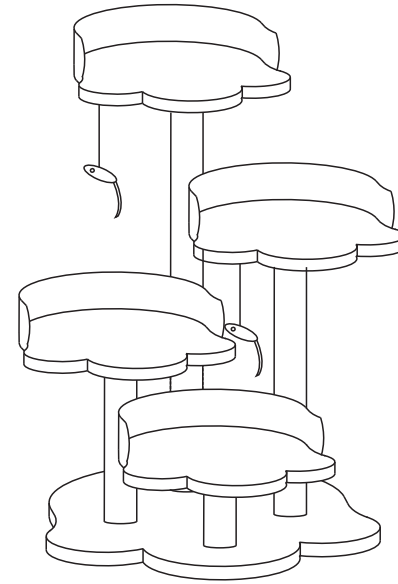


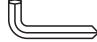


PLEASE NOTE: IT WILL BE BEST TO SORT AND GROUP ALL THE SAME SIZE POSTS ACCORDING TO THEIR LENGTH AND DIFFERENT PARTS TOGETHER PRIOR TO INSTALLATION

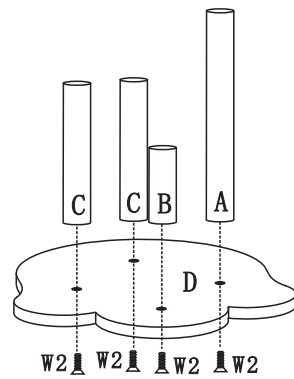


F-22

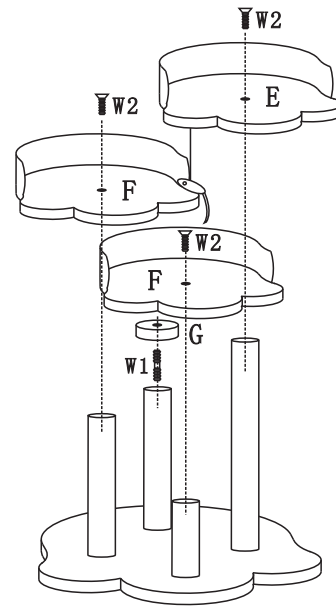
<p>A</p> <p>∅3"*23.6"</p>  <p>1pc</p>	<p>B</p> <p>∅3"*8"</p>  <p>1pc</p>	<p>C</p> <p>∅3"*15.7"</p>  <p>3pcs</p>
<p>D</p> <p>23"*21"</p>  <p>1pc</p>	<p>E</p> <p>13.5"*13.5"*H2.5"</p>  <p>2pcs</p>	<p>F</p> <p>13.5"*13.5"*H2.5"</p>  <p>2pcs</p>
<p>G</p> <p>∅3"</p>  <p>1pc</p>		



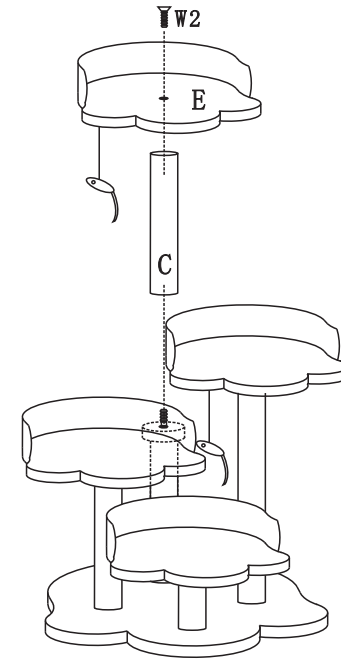
		1pc
 <p>W1</p>	∅0.31"*3.0"	1pcs
 <p>W2</p>	∅0.31"*1.5"	8pcs



step 1



step 2



step 3