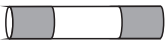
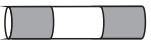
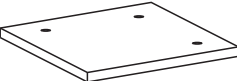
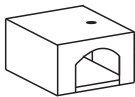



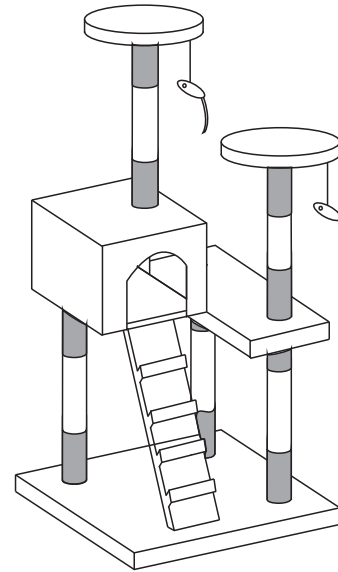


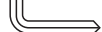






PLEASE NOTE: IT WILL BE BEST TO SORT AND GROUP ALL THE SAME SIZE POSTS ACCORDING TO THEIR LENGTH AND DIFFERENT PARTS TOGETHER PRIOR TO INSTALLATION

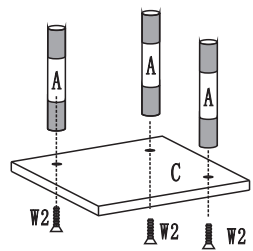


F-56

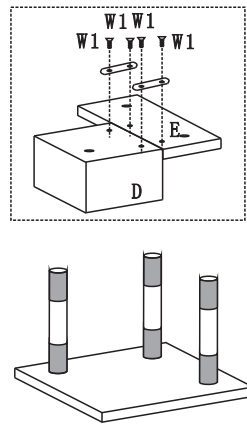
<p>A</p> <p>∅3"*20.5"</p>  <p>4pcs</p>	<p>B</p> <p>∅3"*17.7"</p>  <p>1pc</p>	<p>C</p> <p>19"*19"</p>  <p>1pc</p>
<p>D</p> <p>12"*12"*H9.5"</p>  <p>1pc</p>	<p>E</p> <p>19"*6.7"</p>  <p>1pc</p>	<p>F</p> <p>∅11"</p>  <p>2pcs</p>
<p>G</p> <p>23"*6"</p>  <p>1pc</p>		



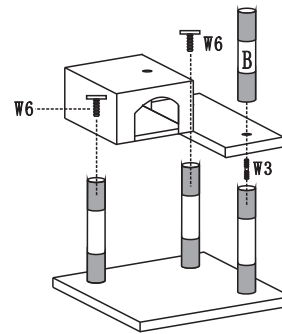
		1pc
	W1	∅0.23"*0.63"
	W2	∅0.31"*1.57"
	W3	∅0.31"*3.1"
	W4	
	W5	
	W6	∅0.31"*1.38"



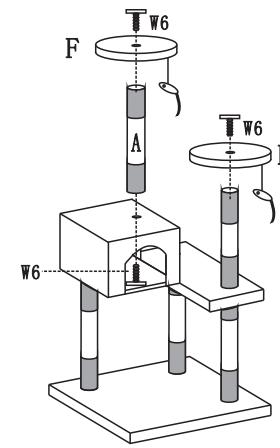
step 1



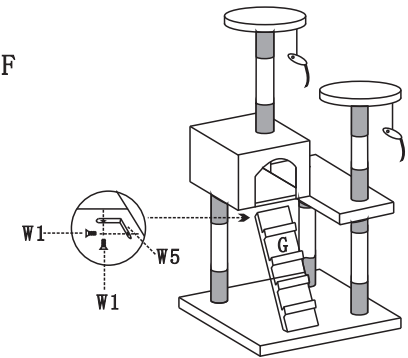
step 2



step 3



step 4



step 5