



MAPLELEAF

5' BATHTUB

PORCELAIN ON STEEL

Raised Outlet



Description:

A premium quality bath. Full-length in a raised outlet for installation on concrete floors (hotels, motels, and commercial applications). Free-standing on a full-length sound deadening

support pad. One piece construction. Available in left or right hand with a slip resistant bottom. ASME A112.19-2008/CSA B45.2-2008
Made in the USA

Ordering Information:

Raised Outlet

60" x 30" x 16 5/8"

011-2670 RH Drain, plain bottom (Canada only)

011-2671 LH Drain, plain bottom (Canada only)

011-2672 RH Drain, slip resistant bottom

011-2673 LH Drain, slip resistant bottom

Bootz Industries

1400 Park Street
PO Box 18010
Evansville, IN 47719-1010

Phone: (812) 423-5401 • Fax: (812) 429 2254

e-mail: webmaster@bootz.com

website: www.bootz.com



SPECIFICATIONS:

Dimensions:

Length: 60"
Width: 30"
Height: 16 5/8"
Sump Depth: 13 1/4"
Tile Flange: 1"

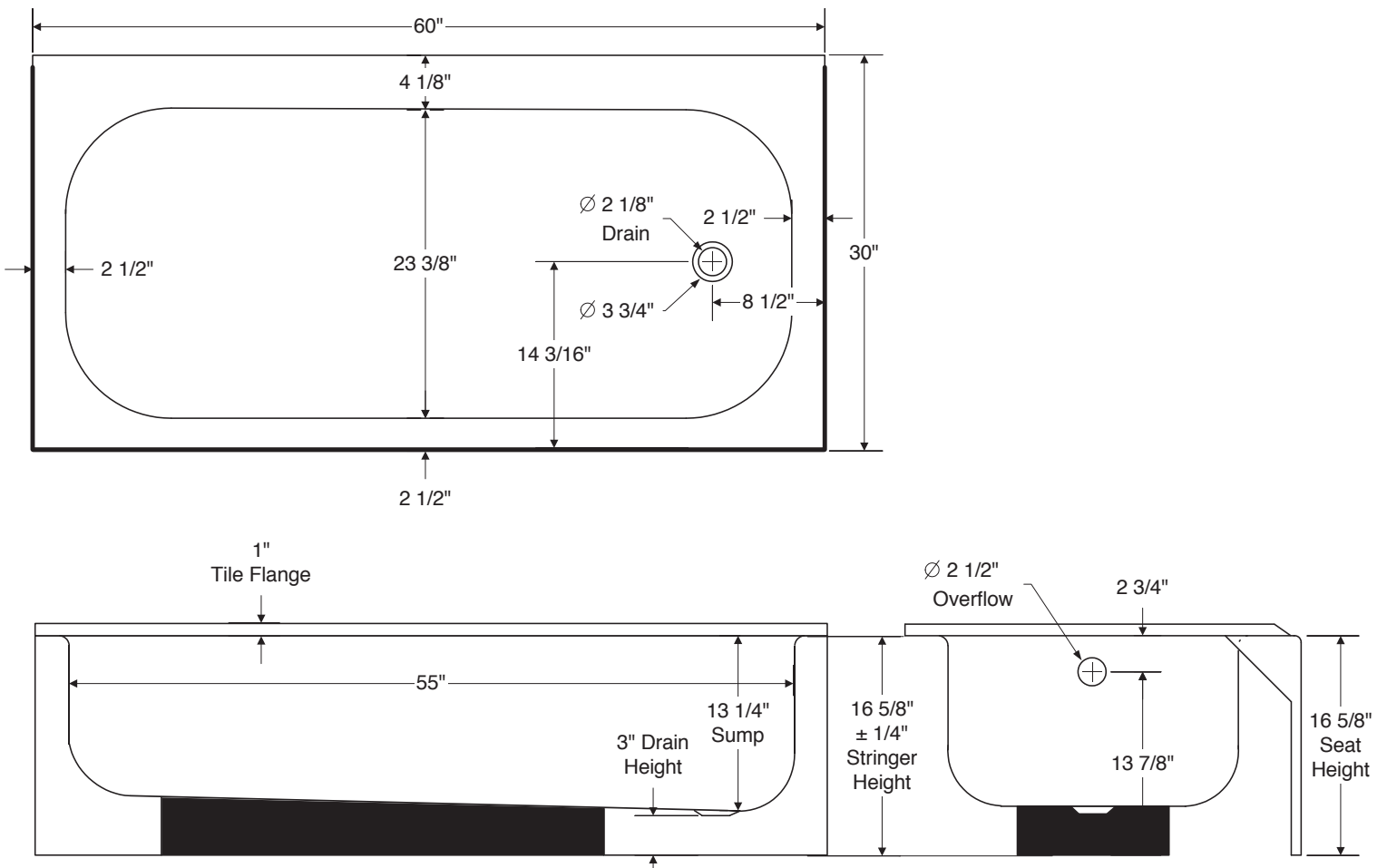
Complies with:

All fixtures are compatible or comply with ANSI, ASME, CSA, WW-P-541, HUD-FHA-VA, LEED, and the "Buy America Act" where applicable when installed accordingly.

Standard Features:

Modern functional recess design for above floor installation.
Made in the USA

5' Mapleleaf Bathtub: 011-2670, 2671, 2672, 2673



All dimensions +/- 1/8" unless otherwise noted.

Dimensions shown are for reference. Actual dimensions may vary slightly and should be checked prior to installation.



Bootz Industries

1400 Park Street
PO Box 18010
Evansville, IN 47719-1010

Phone: (812) 423-5401 • Fax: (812) 429 2254

e-mail: webmaster@bootz.com

website: www.bootz.com