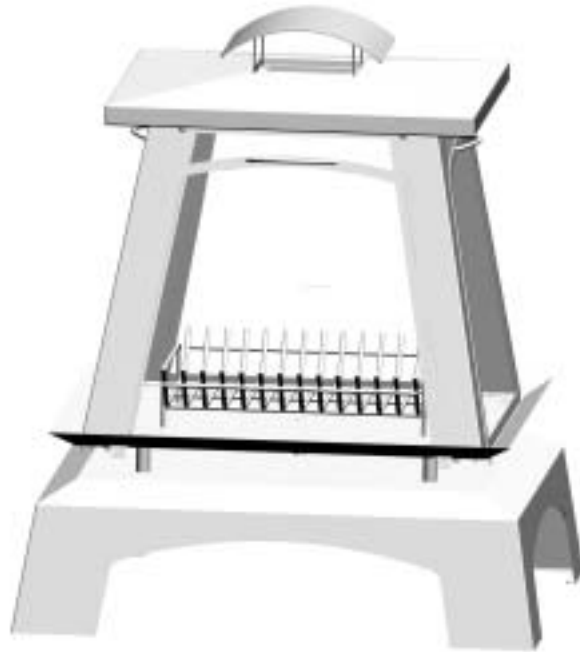




01505710

Outdoor Fireplace

Trentino



For Outdoor Use Only

	CAUTION	
--	----------------	--

THIS UNIT IS HEAVY!
DO NOT assemble without a helper.

	WARNING	
--	----------------	--

Do not use this unit on a wood deck or on combustible surfaces such as dry grass, leaves, mulch, etc. Do not use this unit near heat sensitive or combustible structures such as vinyl or wood siding.

	CAUTION	
--	----------------	--

Some parts may contain sharp edges – especially as noted in manual. Wear protective gloves if necessary.

	WARNING	
--	----------------	--

NEVER LEAVE FIRE UNATTENDED!
Do not allow small children near flame. Hot embers can fly out in breezy conditions. Adequate fire extinguishing material should be readily available.

	CAUTION	
--	----------------	--

Read and follow all safety statements, warnings, assembly instructions and use & care directions before attempting to assemble.

	WARNING	
--	----------------	--

CARBON MONOXIDE HAZARD
Burning charcoal inside can kill you. It gives off carbon monoxide, which has no odor. **NEVER** burn charcoal inside homes, vehicles or tents.

STOP!

Missing a part?

No need to go back to the store!

The store where you made your purchase does not stock parts for this item. If you need parts, whether they are missing or damaged, call the Customer Service toll free Help Line.

Call us and we will gladly ship the part you need

FREE OF CHARGE.

Call Our Help Line
1-800-232-3398

Char-Broil
KEEPERS OF THE FLAME

PARTS LIST

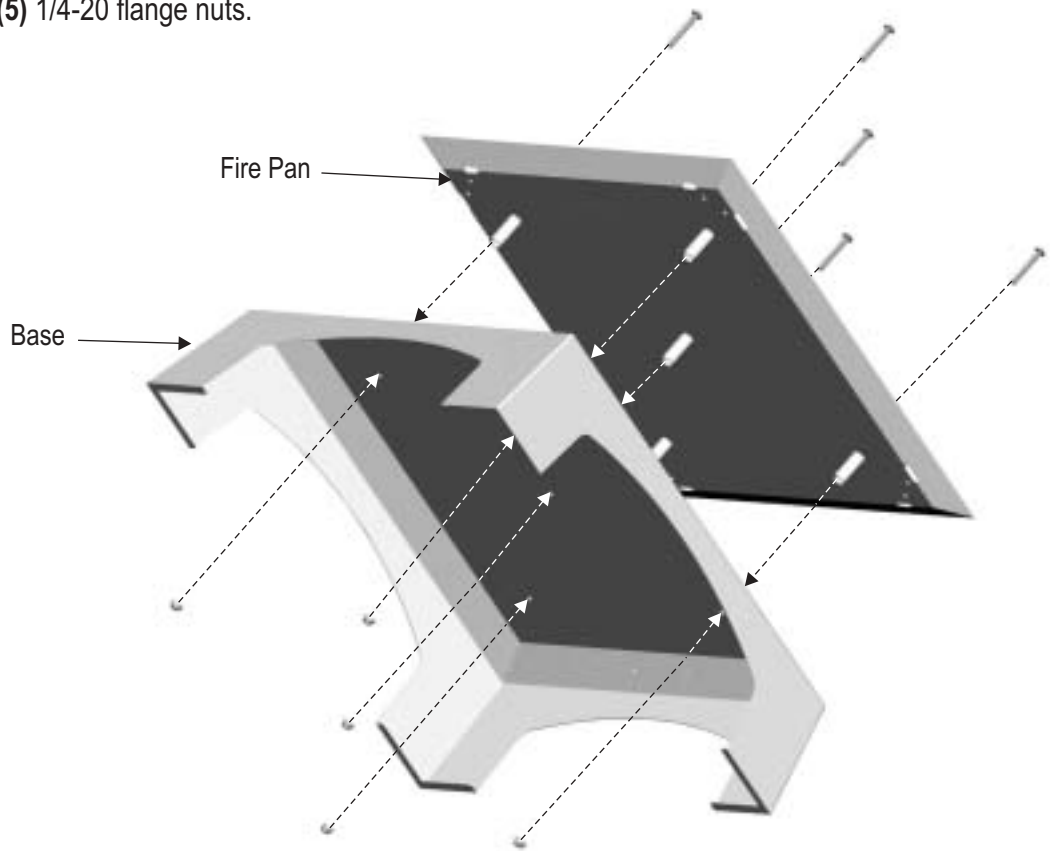
55700428	BASE KIT
55700261	FIRE PAN KIT
55700262	CORNER POST KIT
55700263	HOOD KIT
55700424	LOGO PLATE KIT
40011197	OUTER CARTON
41570010	SIDE SCREEN
29000035	HOOD CAP
41520001	LOG RACK
42000003	HARDWARE BAG
42803964	INSTRUCTIONS

To insure your satisfaction and for follow-up service, register your product online at:

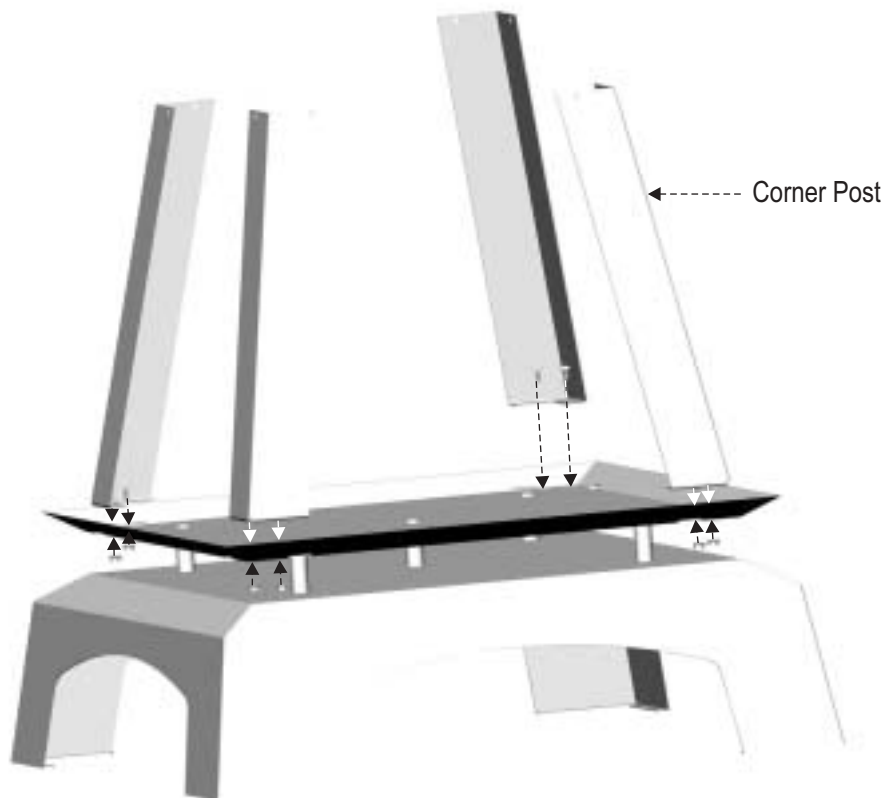
www.grillregistration.com

Tools required for assembly: Phillips screwdriver • Adjustable wrench

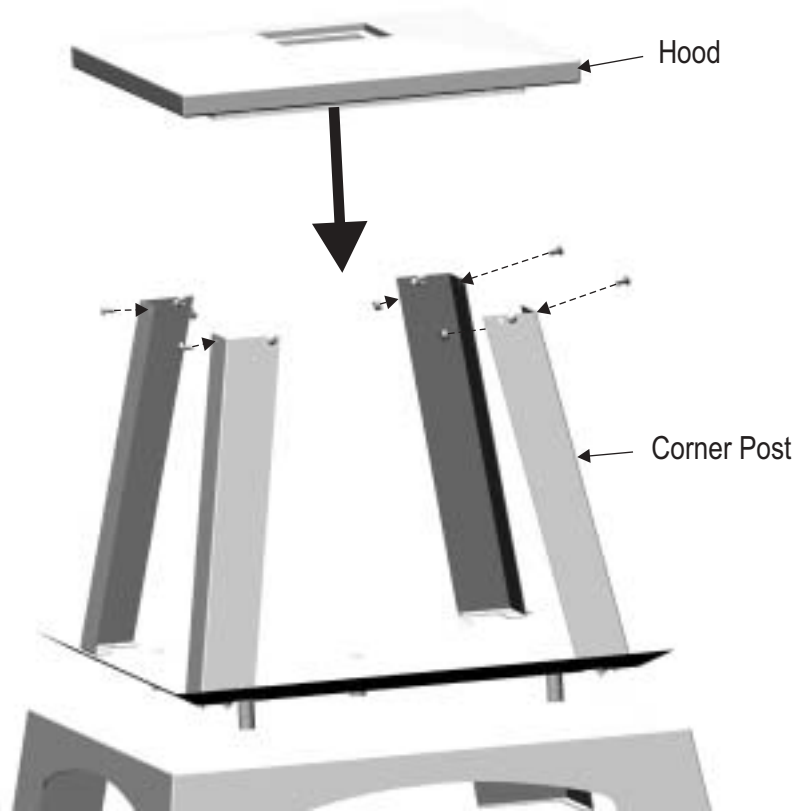
- 1** Place (5) 1/4-20x2-1/4" machine screws into fire pan and base. Attach with (5) 1/4-20 flange nuts.



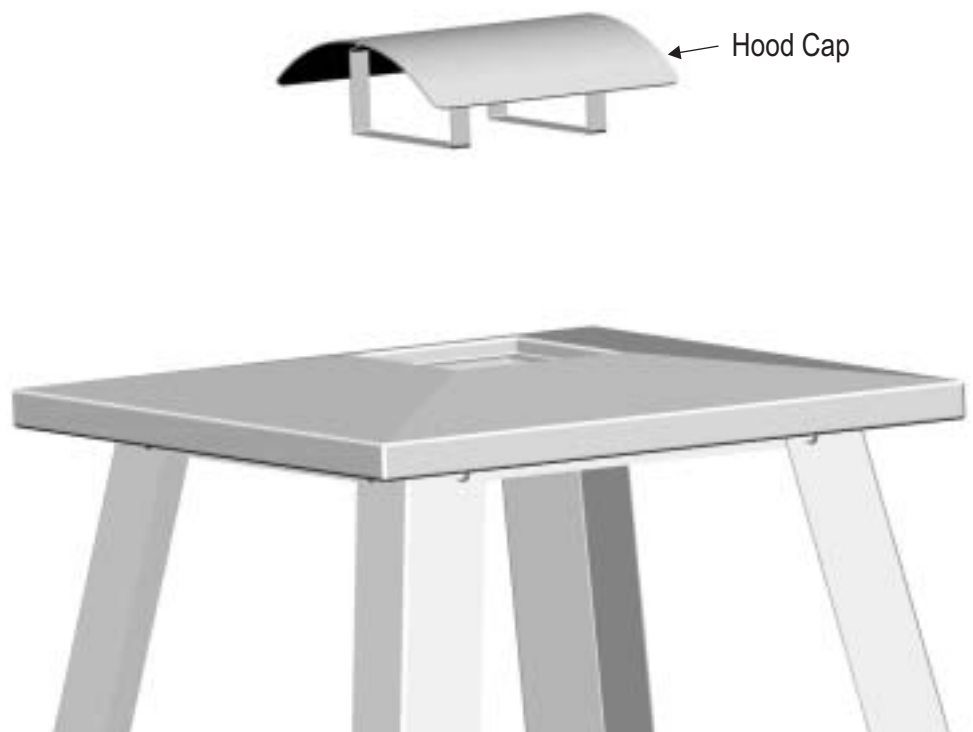
- 2** Each corner post attaches with (2) #10-24x1/2" screws and (2) #10-24 flange nuts. **Do not tighten flange nuts until the top is attached**



- 3** Place hood on **outside** of corner posts. Secure each post with **(2)** #10-24x1/2" screws and **(2)** #10-24 flange nuts. **Tighten all flange nuts.**



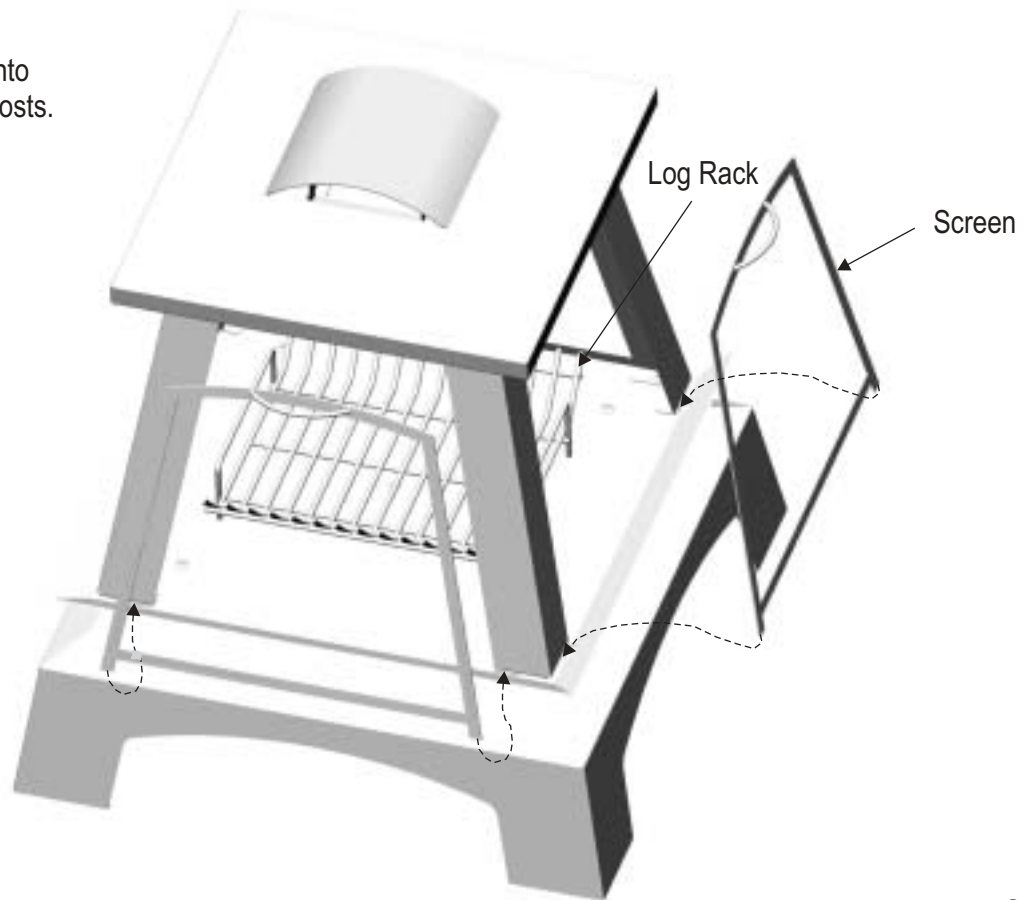
- 4** Set hood cap onto hood.



5

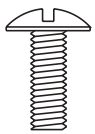
Place log rack on fire pan.

Insert bottom of each screen into slots and rest against corner posts.



HARDWARE LIST

Hardware is shown actual size. You may have spare hardware after assembly is complete.



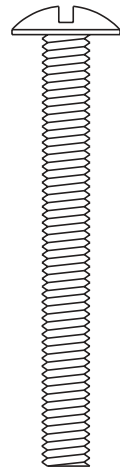
#10-24x1/2"
Machine Screw
Qty: 16



#10-24
Flanged Hex Nut
Qty: 16



1/4-20
Flanged Hex Nut
Qty: 5



1/4-20x2-1/4"
Machine screw,
Qty: 5



WARNING



**MOST SURFACES ON THIS UNIT ARE HOT WHEN IN USE.
USE EXTREME CAUTION. KEEP OTHERS AWAY FROM UNIT.
ALWAYS WEAR PROTECTIVE CLOTHING TO PREVENT INJURY.**

Limited Warranty

The manufacturer warrants the Trentino for replacement or repair of parts and/or workmanship for a period of ninety (90) days . The manufacturer warrants to the original owner, repair or replacement of the cooking chamber only, should "burn out" or "rust through" occur for a period of one (1) year. Paint is not warranted and will require touchup.

These limited warranties are made exclusively to the original customer presenting proof of purchase. These warranties are limited to non-commercial residential use only. Any returned goods must be shipped prepaid. These warranties do not cover normal wear and tear or damages resulting from abuse or misuse. This warranty excludes incidental or consequential cost due to damages or losses or property of any nature.

NOTICE: Some states do not allow the exclusion or limitation of incidental or consequential damages or limitations on how long an implied warranty lasts, so the above limitations or exclusions may not apply to you. This warranty gives you specific legal rights and you may also have other legal rights which may vary from state to state.

For further information, contact Char-Broil, toll free at 1-800-232-3398.

Outdoor Fireplace Use & Care

Steel and Cast Iron Surfaces

The temperatures produced by wood-burning, outdoor fireplaces can vary with the type and amount of combustible being used. While formulated to withstand high temperatures, painted surfaces can fade, peel, and eventually rust due to the extreme, damaging heat that wood-burning fires can produce.

Comparable to the patina effect of copper and bronze, rust is the natural occurrence that results on surfaces that are not protected by paint or porcelain and are exposed to air and moisture. High-temperature paint can be used if the rustic appearance of your outdoor fireplace is not desired.

Outdoor fireplaces that feature a porcelain coating are still susceptible to rust spots on the screens. Fireplace mesh screens can not be porcelain coated and will require touch-up with paint that is rated for use in high-temperature applications.

Copper and other Metallic Surfaces

Copper, chrome and other metallic surfaces often found on outdoor fireplaces will patina, change color, and blacken with exposure to outdoor conditions, heat, and smoke. Cleaning these surfaces regularly after each use with an appropriate metal polish can help reduce these effects.

If you notice any of these surface conditions before the outdoor fireplace is used, contact the Char-Broil Service Center for a free replacement of the defective component. Manufacturing defects are covered under Char-Broil's 90 Day Limited Warranty.

Please register your grill online at:

WWW.GRILLREGISTRATION.COM

(If you register online, you do not need to send in this registration card.)

PLEASE FILL OUT THIS CARD AND RETURN IT *WITHIN 10 DAYS OF PURCHASE. FAILURE TO RETURN MAY AFFECT YOUR WARRANTY COVERAGE.*
LLENE ESTA TARJETA Y DEVUÉLVALA DENTRO DE LOS 10 DÍAS DE LA COMPRA. *SI NO LA DEVUELVE, PUEDE VERSE AFECTADA SU COBERTURA DE GARANTÍA.*
VEUILLEZ COMPLÉTER CETTE CARTE ET LA RETOURNER DANS LES 10 JOURS SUIVANT L'ACHAT.
LA COUVERTURE DE VOTRE GARANTIE POURRAIT EN ÊTRE AFFECTÉE SI VOUS NE LE FAITES PAS.

1 First Name/Nombre/Prénom _____ Initial/Inicial/Initiale Last Name/APELLIDO/Nom de famille _____
Address (number and street)/Dirección (número y calle)/Adresse (numéro et rue) _____ Apt Number/Nº de apart./Nº d'appt. _____
City/Ciudad/Ville _____ State/Estado/Province _____ Zip Code/Código zip/Code postal _____

2 E-mail Address/Dirección de correo electrónico/Adresse électronique _____
If you voluntarily provide us with your email address, you give us permission to use your email address to send you offers that may interest you.
Si nos informa voluntariamente su dirección de correo electrónico, nos da permiso para usarlo a fin de enviarle ofertas que pueden interesarle.
Si vous choisissez de nous fournir votre adresse électronique, vous nous donnez la permission de l'utiliser pour vous faire part d'offres spéciales susceptibles de vous intéresser.

(Example: your name@your host.com) (Ejemplo: su nombre@su host.com) (Exemple : votre nom@votre hôte.com)

3 Phone Number/Número telefónico/Numéro de téléphone _____

6 Date of Purchase/Fecha de compra/Date de l'achat _____

4 **IMPORTANT! ¡IMPORTANTE! IMPORTANT!**
Write Serial Number and Model Number in spaces below.
Escriba en los espacios de abajo el número de serie y el número de modelo.
Inscrivez le numéro de série et le numéro de modèle dans les espaces ci-dessous.

7 Store Name/Nombre de la tienda/Nom du magasin _____

8 Purchase Price/Precio de compra/Prix d'achat
\$ _____ .00

5 Your Gender/Su sexo/Sexe: 1. Male/Masculino/Masculin 2. Female/Femenino/Féminin

9 Which product are you registering?
¿Qué producto está registrando?
Quel produit enregistrez-vous?
1. Gas Grill/Parrilla de gas/
Gril au gaz
2. Electric Grill/Parrilla eléctrica/
Gril électrique
3. Smoker/Ahumadora/Fumoir
4. Charcoal Grill/Parrilla de carbón/
Barbecue au charbon
5. Charcoal Smoker/Ahumadora de
carbón/Fumoir au charbon
6. Outdoor Fireplace/Hogar para
exteriores/Foyer extérieur
7. Cooker/Fryer / Cocina/friteuse /
Cuiser/Friteuse
8. Other/Otro/Autre

10 Which of these sources influenced your decision to buy this product? (check all that apply)
¿Cuál de estas fuentes influenció a su decisión de comprar este producto? (Marque todas las que correspondan)
Parmi les éléments ci-dessous, qu'est-ce qui a influencé votre décision d'acheter ce produit? (Cochez tous les éléments s'appliquant)
1. Magazine/newspaper advertisement / Propaganda en revista/periódico /
Publicité dans un magazine ou dans un journal
2. Television commercial/Comercial televisivo/Publicité à la télévision
3. Grill was assembled/Parrilla ensamblada/Le gril était déjà assemblé
4. In-store display/Exhibidor en la tienda/Promotion sur le lieu de vente
5. Store circular/Circular de la tienda/Prospectus de magasin
6. Brand name/Marca/Marque
7. Product style/Estilo del producto/Style du produit
8. Price/value / Precio/valor / Rapport prix/valeur
9. Product quality/Calidad del producto/Qualité du produit
10. Friend/Relative recommendation / Recomendación de amigo o pariente /
Recommandation d'un(e) ami(e)/parent(e)
11. Salesperson recommendation/Recomendación del vendedor/
Recommandation d'un(e) préposé(e) à la vente
12. Grill size/Tamaño de la parrilla/Taille du gril
13. Product warranty/Garantía del producto/Garantie du produit
14. Store demonstration/Demostración en la tienda/Démonstration en magasin
15. Point of purchase/Punto de compra/Lieu de vente
16. Other/Otras/Autre: _____

Mail to:
Product Registration Dept.
PO BOX 1240
Columbus, Georgia 31902-1240

Thank you for completing this questionnaire. Your answers will help us and other companies reach you with offers that may interest you. If you prefer not to receive these offers, please check here .

Gracias por completar este cuestionario. Sus respuestas nos ayudarán, a nosotros y a otras compañías, a llegar a ustedes con ofertas que puedan resultarles de interés. Si prefiere no recibir estas ofertas, por favor marque aquí .

Merci d'avoir bien voulu remplir ce questionnaire. Vos réponses nous aideront et aideront d'autres compagnies à vous communiquer des offres spéciales susceptibles de vous intéresser. Si vous préférez ne pas recevoir d'informations concernant ces offres spéciales, veuillez cocher ici .