

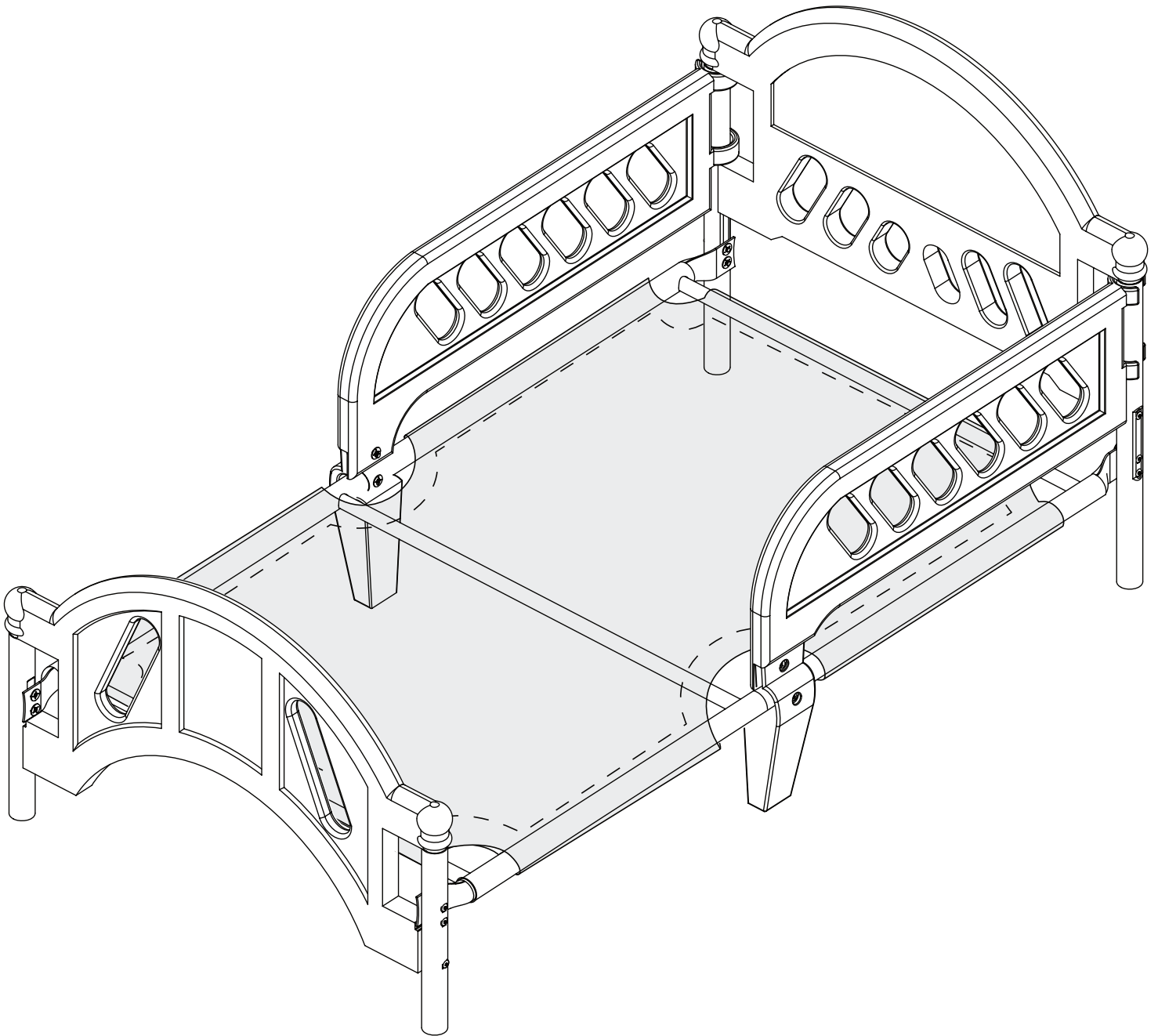
TODDLER BED

ASSEMBLY INSTRUCTIONS

Delta™

Children's Products

ADULT ASSEMBLY REQUIRED



Consumer Information



WARNING ENTRAPMENT/ STRANGULATION HAZARD

- Infants have died in TODDLER BEDS from entrapment and strangulation. Failure to follow these warnings and the assembly instructions could result in serious injury or death.
- NEVER place bed near windows where cords from blinds or drapes may strangle a child.
- DO NOT place items with a string, cord, or ribbon around a child's neck, such as hood strings or pacifier cords.
- DO NOT suspend strings over a toddler bed for any reason.
- Guardrails are used as a mattress containment means. Guardrails provided must be used to avoid the formation of a gap between the mattress and the bed that could cause entrapment.
- Toddler bed must have more than 12 inches (31cm) of space between the toddler bed and solid objects such as a wall or dresser. Child could slide into small space and suffocate.
- DO NOT use a water mattress with this toddler bed.



WARNING

- DO NOT use for infants. This bed is not a substitute for a crib. The toddler bed is intended for a child between 15 months and 5 years of age. Maximum weight 50 pounds (22.7 kg). The mattress intended for use on the bed shall be a full size crib mattress having minimum dimensions of 51 ⁵/₈ in. (1310 mm) in length and 27 ¹/₄ in. (690 mm) in width and 4 in. (100 mm) in thickness or greater.



WARNING

- This package contains small parts.
- Keep away from children during assembly.
- Adult assembly required.
- Screws left after assembly should be kept out of reach of children.

Assembly

IMPORTANT! Before assembly or each use, inspect this product for damaged hardware, loose joints, missing parts or sharp edges. DO NOT use if any parts are missing or damaged.

Contact manufacturer for replacement parts and instructions if needed.

Never substitute parts.

BE SURE bed rails are secure. Bed rails must be attached to headboard on the inside of the post.

IMPORTANT:

- DO NOT use this bed without a mattress.

Care And Maintenance

To clean bed frame and bed rails, use only household soap or detergent and warm water. **NO BLEACH.**



Manufactured for and distributed by:

Delta
Children's Products™

114 West 26th Street, New York, NY 10001

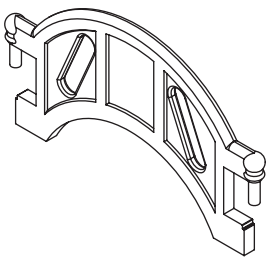
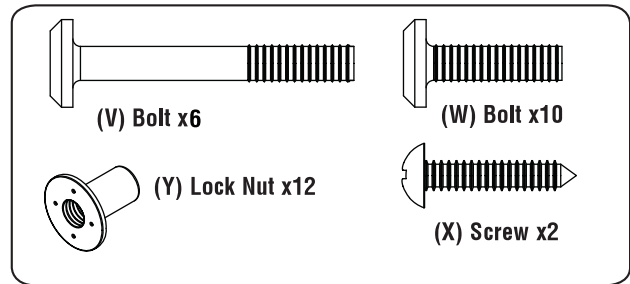
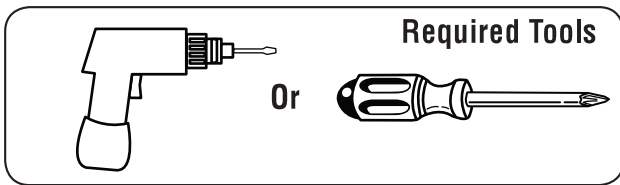
Customer Service

Tel. (212) 645-9033

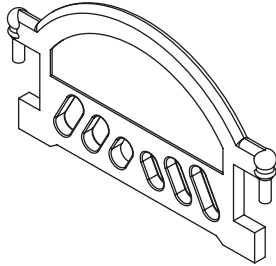
www.DeltaChildrensProducts.com

Parts

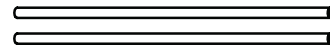
IMPORTANT! Please remove all parts from the package and identify them before assembly.



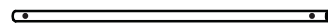
(A) Footboard x1



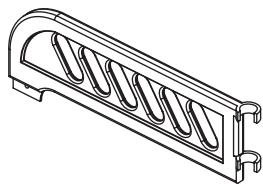
(B) Headboard x1



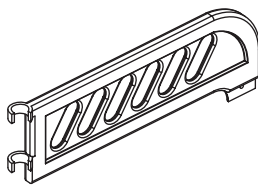
(G) Crossbar x2



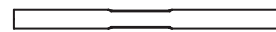
(H) Center Crossbar x1



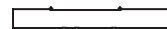
(C) Safety Rail R x1



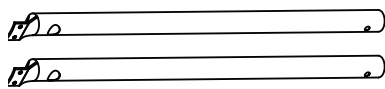
(D) Safety Rail L x1



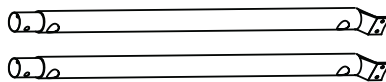
(K) Long leg x2



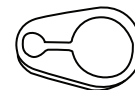
(L) Short leg x2



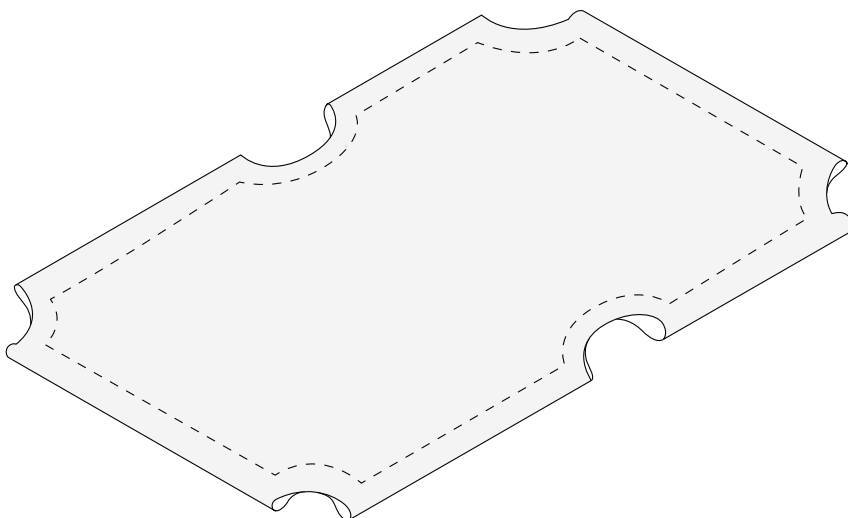
(F) Female Bar x2



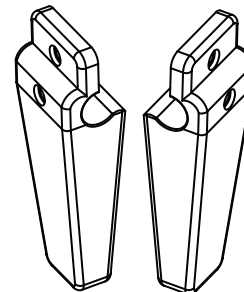
(E) Male Bar x2



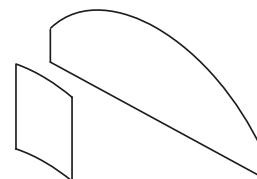
(N) Upper Leg Mount x4
for Canopy version only



Fabric Support x1

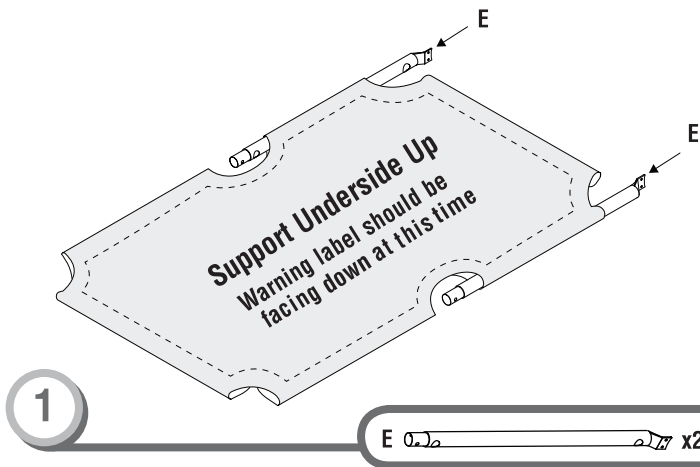


(J) Legs x2



(M) Headboard & Footboard
Stickers x2

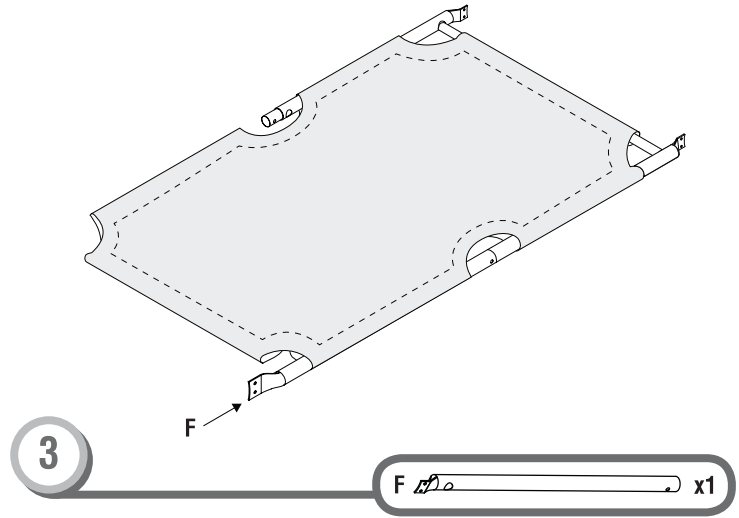
Fabric Mattress Support Assembly



1

E x2

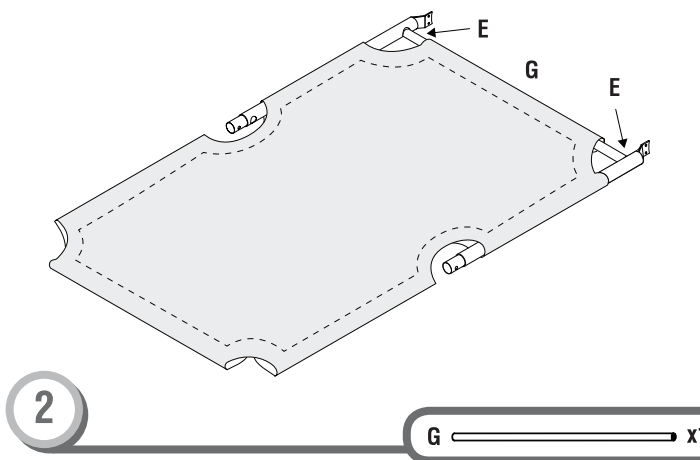
- Slide the two male bars (E) through the fabric tunnel.



3

F x1

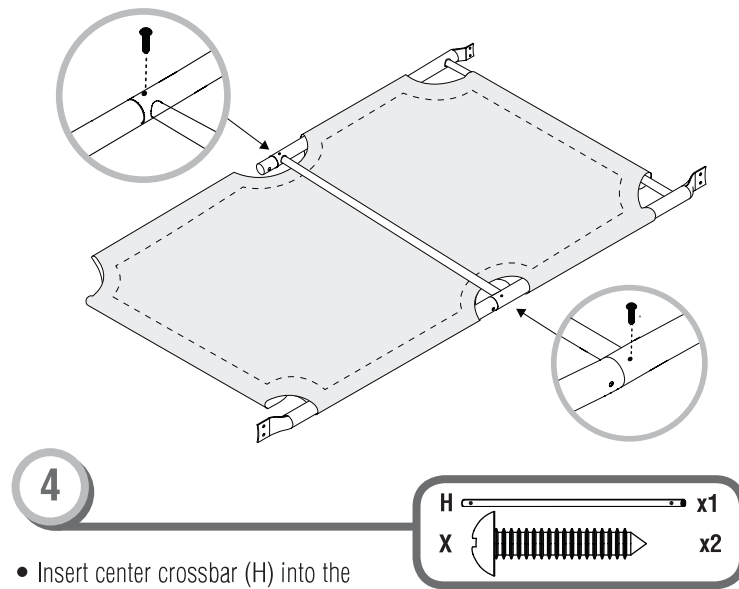
- Slide female bar (F) through fabric tunnel.



2

G x1

- Insert crossbar (G) through fabric tunnel.
- Insert the crossbar (G) into the holes on both male bar ends (E).

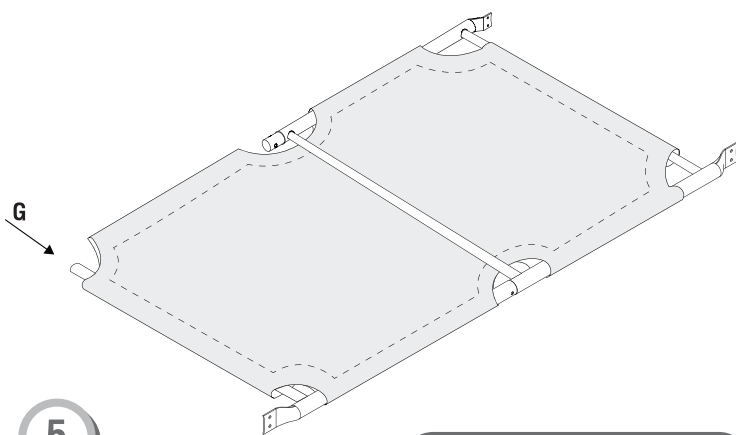


4

H x1
X x2

- Insert center crossbar (H) into the center holes on both male bars (E).
- Make sure the small holes on the center crossbar (H) and both male pieces (E) are aligned.
- Attach the center crossbar (H) to both male bars (E) with two screws (X).

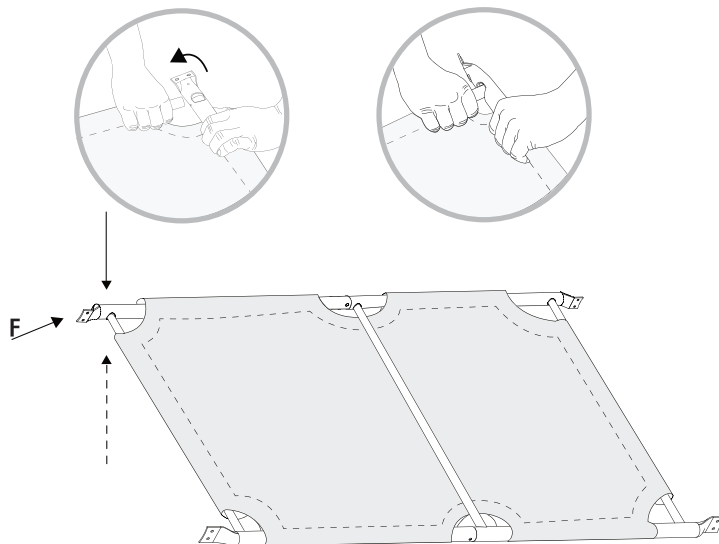
Fabric Mattress Support Assembly



5

G x1

- Slide crossbar (G) through fabric tunnel and into the hole on the female bar (F).

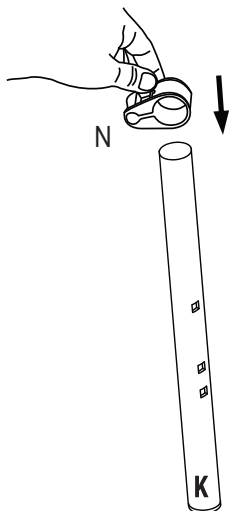


6

F x1

- Slide bar (F) through fabric tunnel and connect to male bar (E).
- Raise the unconnected side and rotate the female bar (F) inward until the crossbar (G) and female bar (F) are joined.

Toddler Bed Assembly



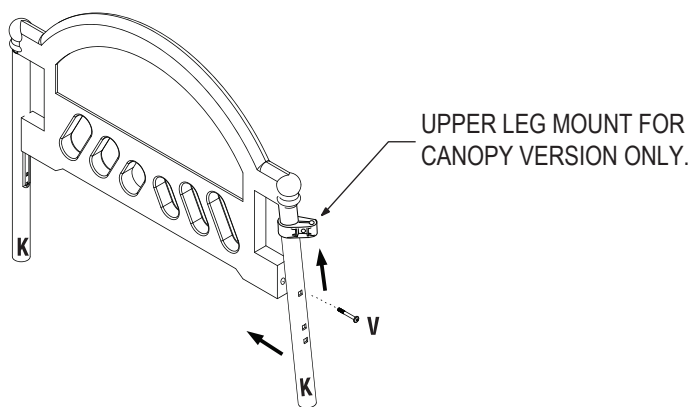
Note:
Pre-Assembled metal insert on Headboard and Footboard must be in place. If missing, call customer service. DO NOT attempt to assemble.

THIS STEP FOR CANOPY VERSION ONLY.
FOR NON-CANOPY VERSION, GO TO 7a.

7 Install upper leg mounts to headboard

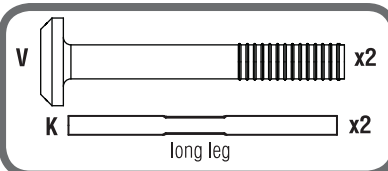


- Slide upper leg mounts into position.



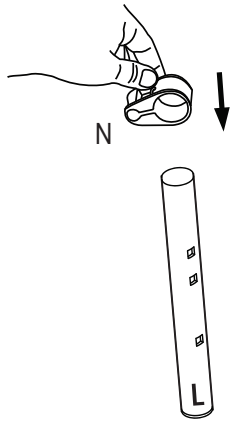
7a

Assemble Headboard

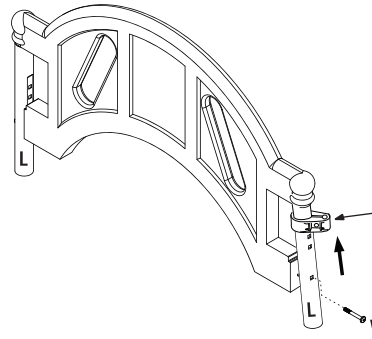


- Push the open end of one long leg (K) onto plastic plug under the "knob" on one side of the headboard.
- Align hole with hole on headboard.
- Use bolt (V) to attach leg to headboard.
- Repeat the same step for other leg.

Toddler Bed Assembly



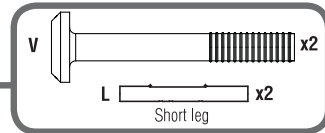
THIS STEP FOR CANOPY VERSION.
FOR NON-CANOPY VERSION, GO TO 8a.



UPPER LEG MOUNT FOR
CANOPY VERSION ONLY.

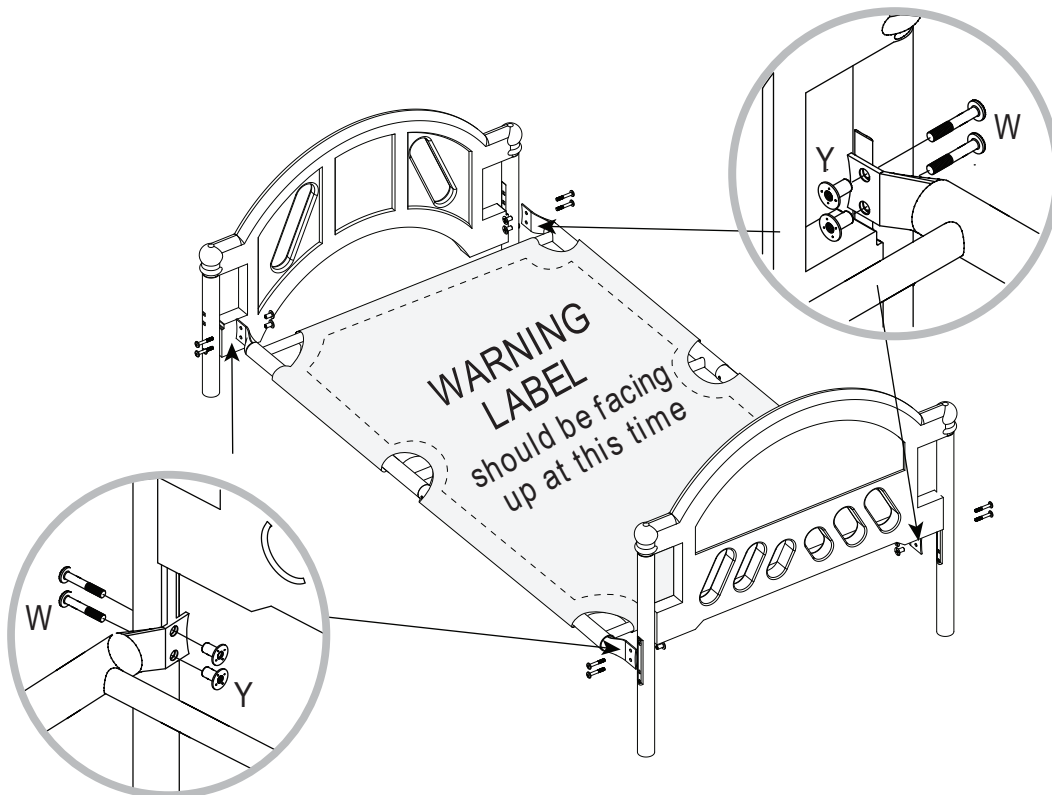
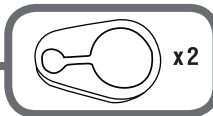
8a Assemble footboard

- Push the open end of one short leg (L) onto plastic plug under the “knob” on one side of the footboard.
- Align hole with hole on footboard.
- Use bolt (V) to attach leg to footboard.
- Repeat the same step for other leg.



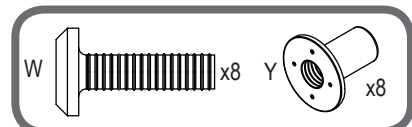
8 Install upper leg mounts to footboard

- Slide upper leg mounts into position.

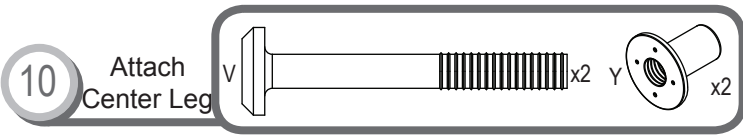
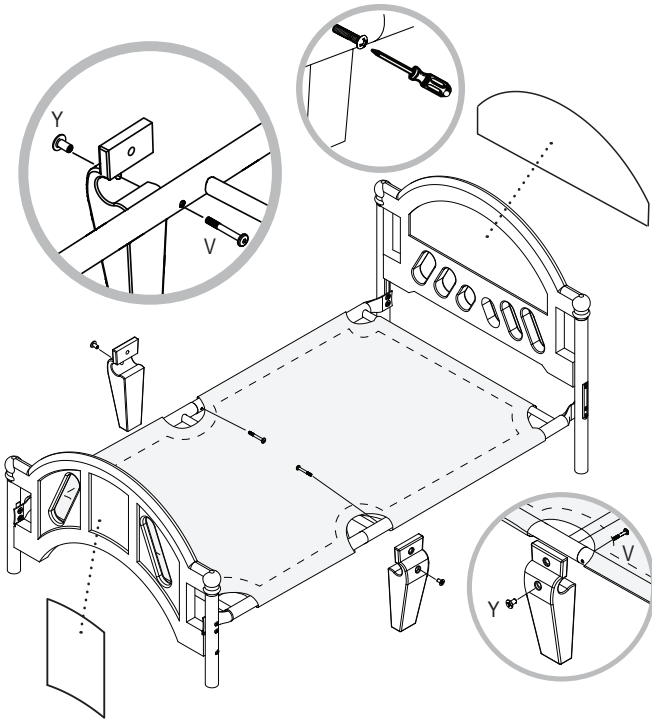


9 Connect Headboard & Footboard to frame

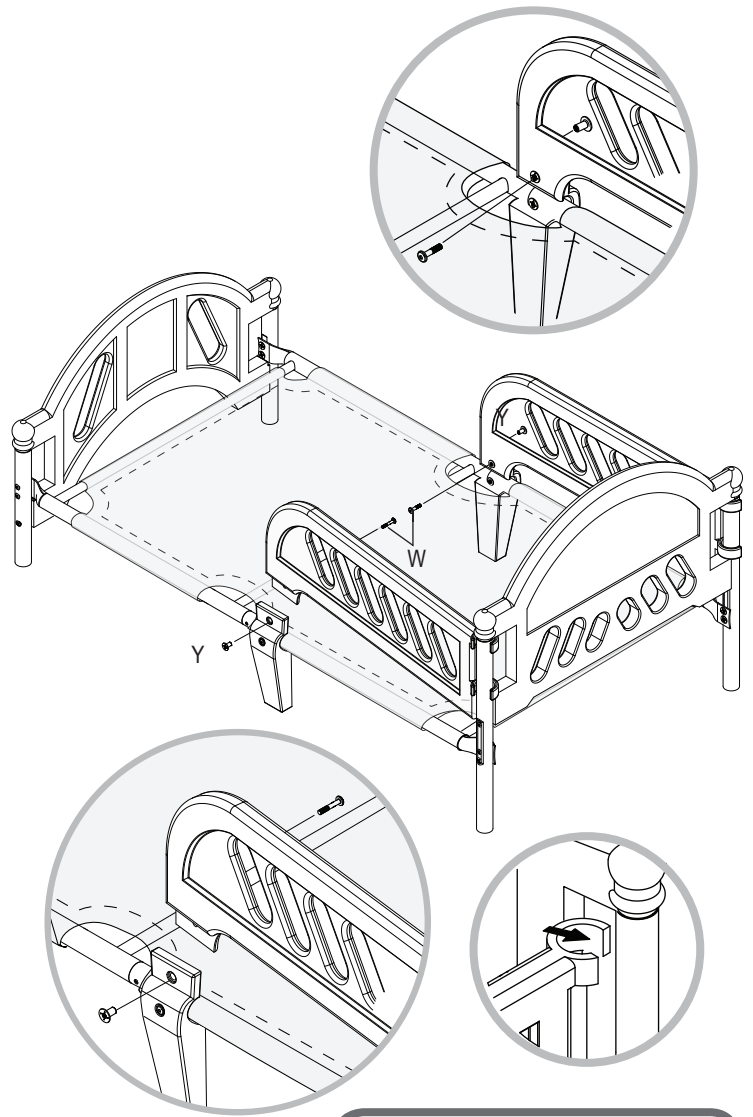
- Turn bed frame over before attaching headboard and footboard. Warning label should be facing up at this point.
- Make sure flat ends on frame are inside of headboard/footboard legs.
- Insert bolts (W) and lock nuts (Y) into pre-drilled holes on frame.



Toddler Bed Assembly



- Attach center leg (J) using lock nuts (Y) and bolts (V).
- Repeat on opposite side.
- Place stickers on headboard and footboard.
- Make sure sticker on headboard is facing in.
- Make sure sticker on footboard is facing out.



- Snap safety rail onto the long leg (K) that is part of the headboard with open end of crescent facing out.
- Align holes of center leg and safety rail.
- Attach using bolts (W) and lock nuts (Y).
- Repeat on opposite side.
- Make sure all bolts are tightened securely.

**ENJOY YOUR NEW
DELTA TODDLER BED!**



Delta
Children's Products™

Customer Service

Tel. (212) 645-9033

www.DeltaChildrensProducts.com