

Lavatory Faucets

6-12" Widespread Deck Faucets -Two Handle
Mixing

Model No: 23T634

COMPLIES WITH:

- CSA certified
- Complies to ASME Standard A112.18.1
- IAPMO listed
- (Contact Delta Representative for State and/or Local Approvals)
- 102 mm (4") Blade Handle {ADA}ADA compliant and meets Handicapped Accessibility Standard ASME 117.1 of less than 5 lbs operating force



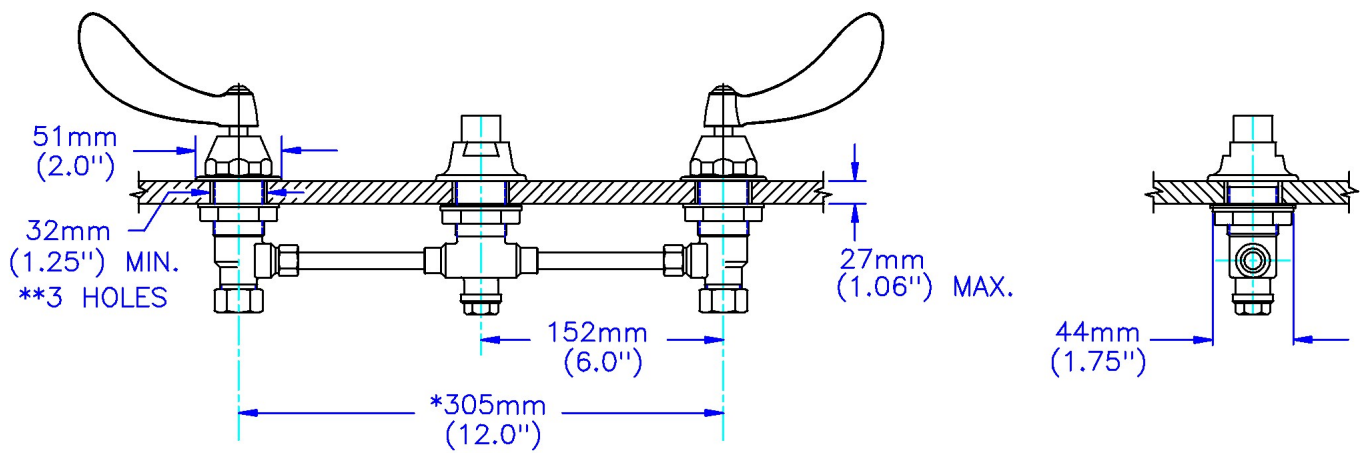
SPECIFICATION:

- Two handle widespread lavatory faucet
- 152 to 305 mm (6" to 12") adjustable centers
- polished chrome plated finish trim
- metal hold-down package
- CAST BRASS bodies
- Widespread with TUF-TECK® compression structures
- Outlet#: 3 - Vandal Resistant 1.5 USGPM (5.7 L/min) Flow Control Aerator
- Handle#: 4 - 102 mm (4") Blade Handles- ADA Compliant-Sanitary Hoods-Metal-Color indexed-Vandal resistant screws
- Widespread w/Rigid/Swivel In-Line Mounted Spout
- Less Pop-up & pop-up hole

OPERATION:

- Not Available

(Dimensional drawing on following page)



* CAN BE CUT IN FIELD TO 152mm (6.0'') MINIMUM

INLET FOR 3/8" OR 1/2" FLEXIBLE RISER
OR 1/2-14 NPSM COUPLING NUT (SUPPLIED)

Delta reserves the right (1) to make changes to specifications and materials, and (2) to change or discontinue models, both without notice or obligation. Dimensions are for reference. Measurement may vary plus or minus 6mm(0.25"). Mounting locations are suggested only. Check with local codes for requirements in your area.