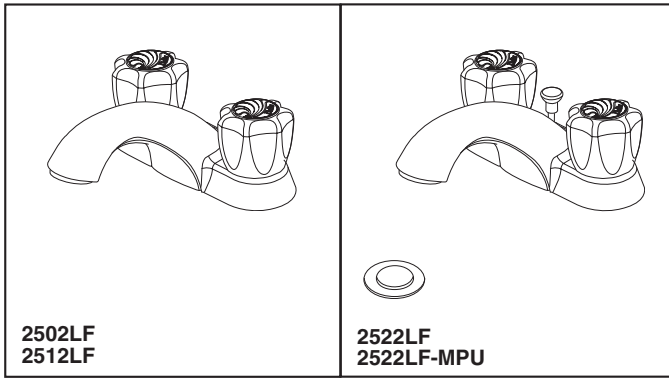




# LAVATORY FAUCETS

- Classic Series
- Two Handle Deck Mount
- 2 and 3 Hole Sink Applications
- 4" Centerset



Submitted Model No.: \_\_\_\_\_

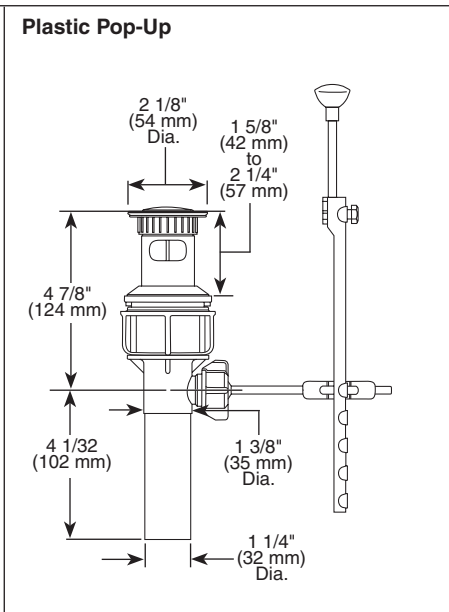
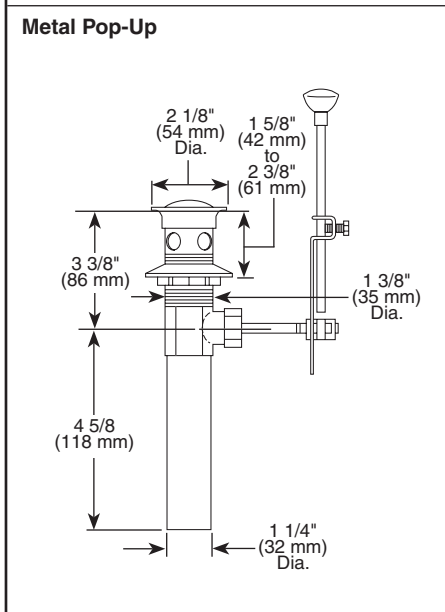
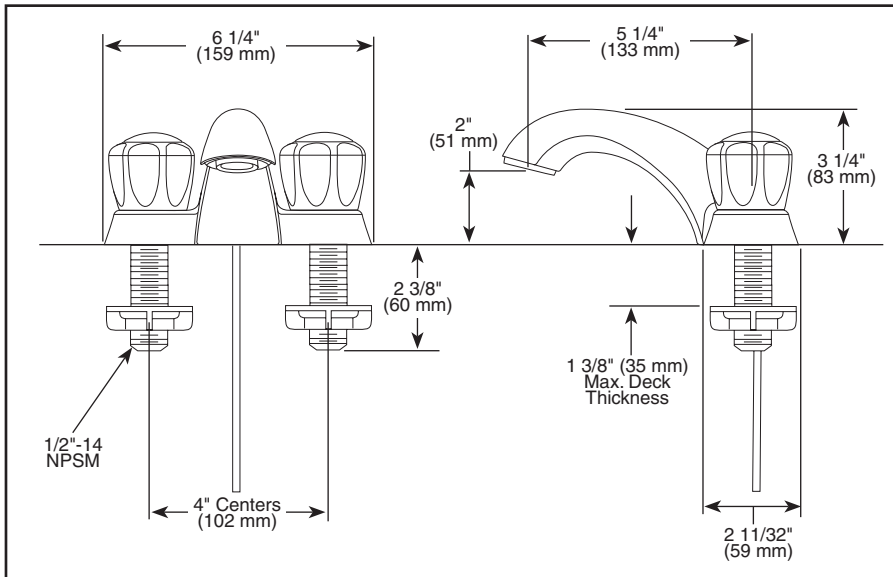
Specific Features: \_\_\_\_\_

## STANDARD SPECIFICATIONS:

- Solid brass fabricated body.
- 4" (102 mm) centerset.
- 5 1/4" (133 mm) long, 3 1/4" (83 mm) high rigid spout.
- Hot and cold stems are interchangeable.
- Hot/cold indicators.
- Control mechanism is a rotating cylinder with stainless steel plate and 180° rotation, with replaceable non-metallic seats operating in stainless steel lined sockets.
- 1/2"-14 NPSM threaded male inlet shanks.
- Maximum flow rate 1.5 gpm @ 60 PSI.
- Models with suffix "MPU" have metal drain with pop-up type fitting with plated flange and stopper.
- 2512LF model has spout lift rod hole but comes without lift rod and pop-up.

## WARRANTY

- Lifetime Faucet and Finish Limited Warranty to the original consumer purchaser to be free from defects in material and workmanship.
- 5 Year Limited Warranty for usage in all industrial, commercial and business applications.

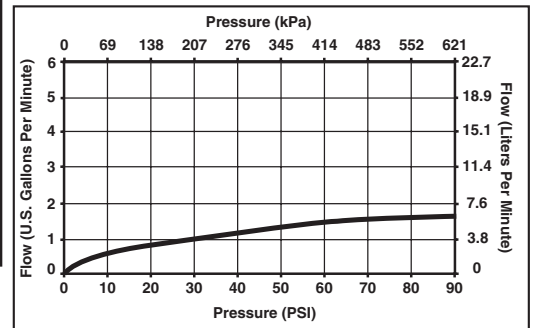


▲ Designate proper finish suffix



## COMPLIES WITH:

- ASME A112.18.1 / CSA B125.1
- ASME A112.18.2 / CSA B125.2
- Verified compliant with .25% weighted average Pb content regulations.



Delta reserves the right (1) to make changes in specifications and materials, and (2) to change or discontinue models, both without notice or obligation. Dimensions are for reference only. See current full-line price book or [www.deltafaucet.com](http://www.deltafaucet.com) for finish options and product availability.

DSP-L-2502LF Rev. C



55 E. 111th Street, Indianapolis, Indiana 46280  
 350 South Edgeware Road, St. Thomas, ON N5P 4L1  
 © 2013 Masco Corporation of Indiana