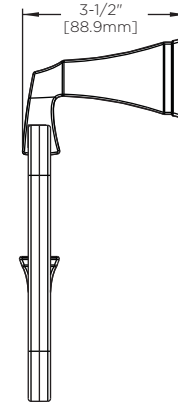
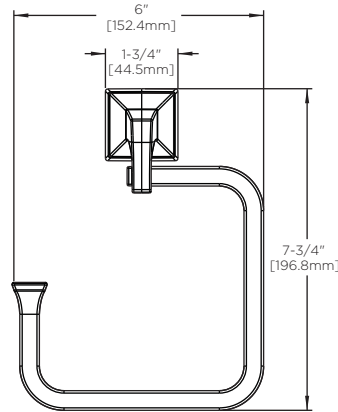


Dryden™

TOWEL RING



MATERIALS:
Post - Zinc Die Cast
Ring - Zinc Die Cast
Wall Plate - Zinc Die Cast

INSTALLATION: Mount wall plate bracket(s) per installation instructions with supplied fasteners. Slip product over wall plate(s) and tighten set screws until secure.

OPTIONAL FASTENER INFORMATION:
Wood blocking is preferable behind all wall surfaces. If wood blocking is not available, the following fasteners are suggested:
Tile/Masonry - Plastic or Lead Anchors, Plaster/Drywall - Toggle Bolts.

SPECIFICATION: Surface mounted towel ring shall be model _____
(fill in model number) by Liberty Hardware Manufacturing Corporation.



see what Delta can do™