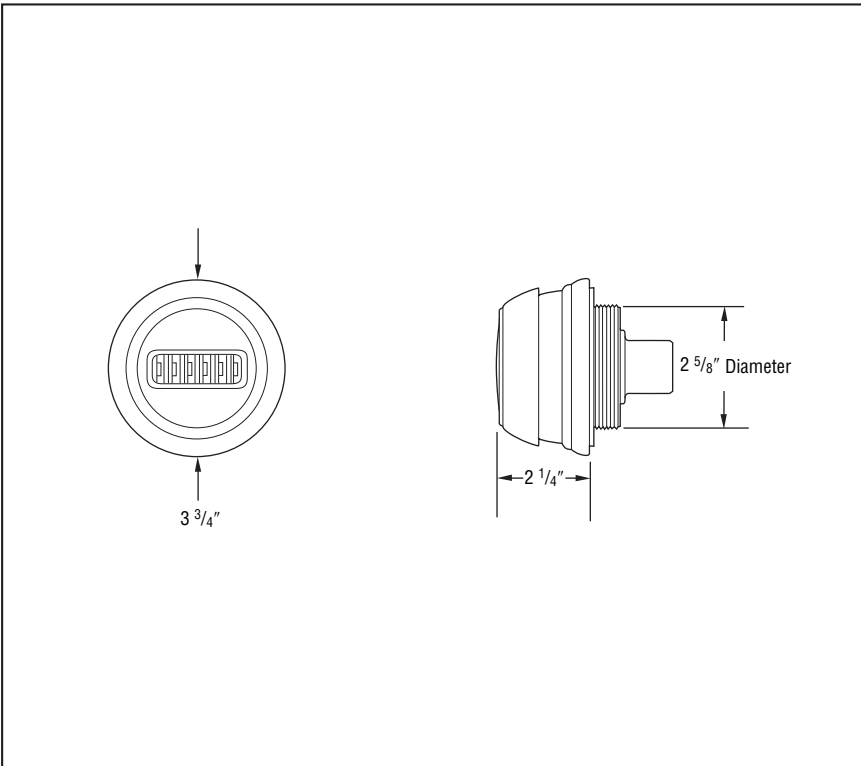


Submitted Model No.: _____

Specific Features: _____



BODY SPRAY

- H²Okinetic Body Sprays
- New State of the Art Technology
- 1.6 GPM, Experience of 2.5 GPM
- 1/2" Rough-In

STANDARD SPECIFICATIONS

- 1/2" rough-in
- 1.6 gpm, experience of 2.5 gpm.
- Adjust both vertically and horizontally.
- Rough opening in the finished wall is 3" +/- 1/8".

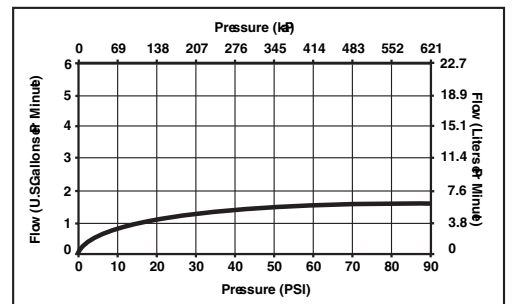
WARRANTY

- Lifetime Faucet and Finish Limited Warranty to the original consumer purchaser to be free from defects in material and workmanship.
- 5 Year Limited Warranty for usage in all industrial, commercial and business applications.



COMPLIES WITH:

- ANSI/ASME A112.18.1 / CSA B125.1
- ICC/ANSI A117.1



Indianapolis, Indiana 46280
 A Division of Masco Corporation of Indiana
 © 2010 Masco Corporation of Indiana