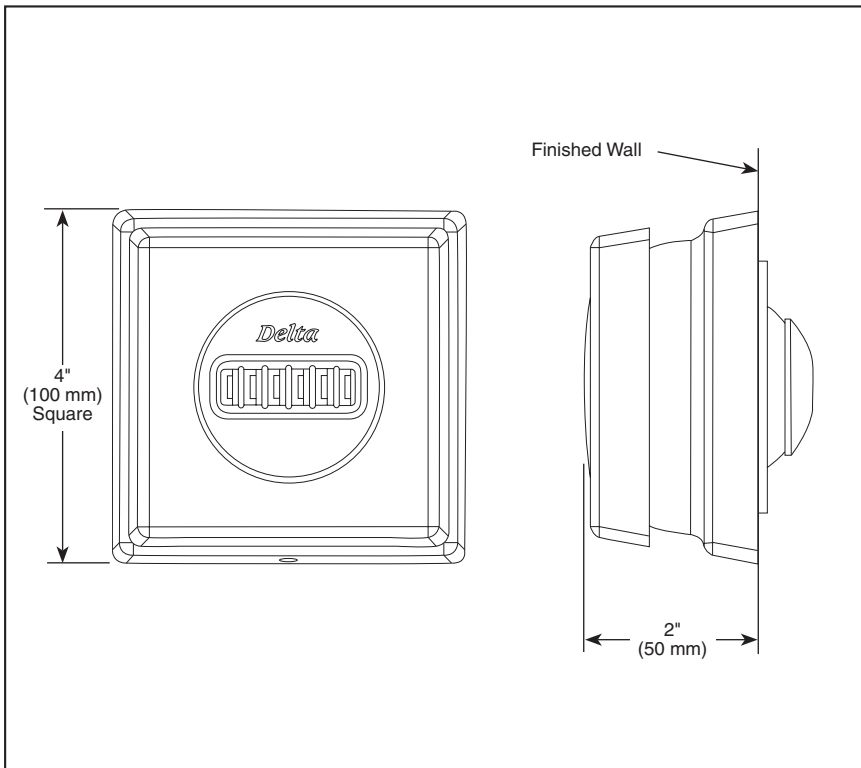


T50050



Submitted Model No.: _____

Specific Features: _____



BODY SPRAY

- H₂Okinetic Body Spray Trim
- 1.6 GPM, Experience of 2.5 GPM

STANDARD SPECIFICATIONS

- Requires 1/2" R50001 body spray rough-in.
- 1.6 gpm @ 80 PSI, experience of 2.5 gpm.
- Features patented H₂Okinetic Technology®.
- Adjusts both vertically and horizontally.
- Rough opening in the finished wall should be 3 1/8" diameter.
- Refer to the installation instructions for more details.

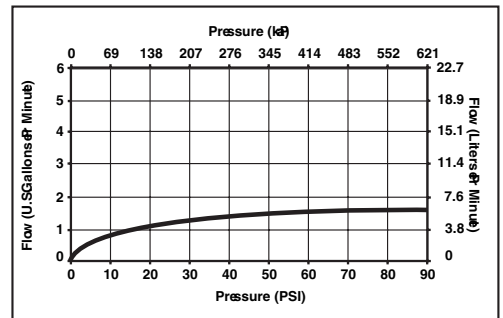
WARRANTY

- Lifetime Faucet and Finish Limited Warranty to the original consumer purchaser to be free from defects in material and workmanship.
- 5 Year Limited Warranty for usage in all industrial, commercial and business applications.



COMPLIES WITH:

- ANSI/ASME A112.18.1 / CSA B125.1
- ICC/ANSI A117.1



Delta reserves the right (1) to make changes in specifications and materials, and (2) to change or discontinue models, both without notice or obligation. Dimensions are for reference only. See current full-line price book or www.specselect.com for finish options and product availability.

DSP-B-T50050 Rev. A



55 E 111th Street, Indianapolis, Indiana 46280
 350 South Edgeware Road, St. Thomas, ON N5P 4C4
 © 2011 Masco Corporation of Indiana