

Features

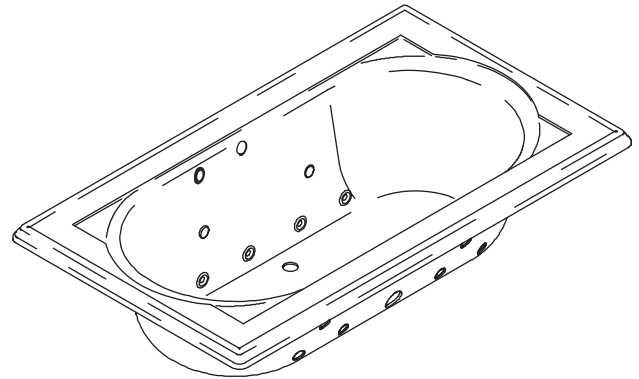
- Acrylic
- Variable speed pump with 1.5 kW heater, back-lit user keypad, and remote control
- 8 effervescent ports
- 4 chromatherapy lights
- 240 V, 20 A electrical service
- Color-matched jet trim included
- 72" (1829 mm) x 42" (1067 mm) x 22" (559 mm)

Codes/Standards Applicable

Specified model meets or exceeds the following:

- ASME A112.19.7
- ASTM E162
- ASTM E662
- UL 1795
- CSA B45.5/IAPMO Z124

6' BATH WHIRLPOOL WITH RELAX EXPERIENCE K-1418-CT



Colors/Finishes

- 0: White
- Other: Refer to Price Book for additional colors/finishes

Accessories

- 0: White
- CP: Polished Chrome
- PB: Vibrant® Polished Brass
- Other: Refer to Price Book for additional colors/finishes

Specified Model

Model	Description	Colors/Finishes		
K-1418-CT	6' bath whirlpool with Relax Experience	<input type="checkbox"/> 0	<input type="checkbox"/> Other_____	
Recommended Accessories				
K-7161-AF	Pop-up bath drain	<input type="checkbox"/> CP	<input type="checkbox"/> PB	<input type="checkbox"/> Other_____
Optional Accessories				
K-1491	Pillow	<input type="checkbox"/> 0	<input type="checkbox"/> Other_____	
K-1601	Footstop	<input type="checkbox"/> 0	<input type="checkbox"/> Other_____	

Product Specification

The acrylic bath whirlpool shall be 72" (1829 mm) in length, 42" (1067 mm) in width, and 22" (559 mm) in height. Product shall have 240 V, 20 A electrical service and shall include color-matched jet trim. Product shall have 8 effervescent ports and 4 chromatherapy lights. Product shall have a variable-speed pump, a 1.5 kW heater, a back-lit user keypad, and remote control. Product shall complement the Memoirs® Suite. Bath whirlpool shall be Kohler Model K-1418-CT-_____.

MEMOIRS®

Technical Information

Fixture*:	
Basin area:	
Bathing well	48" (1219 mm) x 27" (686 mm)
Top area	60" (1524 mm) x 30" (762 mm)
Weight	140 lbs (63.5 kg)
To overflow:	
Water depth	16" (406 mm)
Capacity	94 gal (355.8 L)
* Approximate measurements for comparison only.	

Drop-in cut-out	70-1/2" (1791 mm) x 40-1/2" (1029 mm)
-----------------	---------------------------------------

Pump:	kW	V	Hz	A
Variable-speed	1.5	240	50/60	11

Required Electrical Service

Dedicated circuit required, protected with Class A Ground-Fault Circuit-Interrupter (GFCI) or Residual Current Device (RCD):

Pump/control	220/240 V, 20 A, 50/60 Hz
--------------	---------------------------

Installation Notes

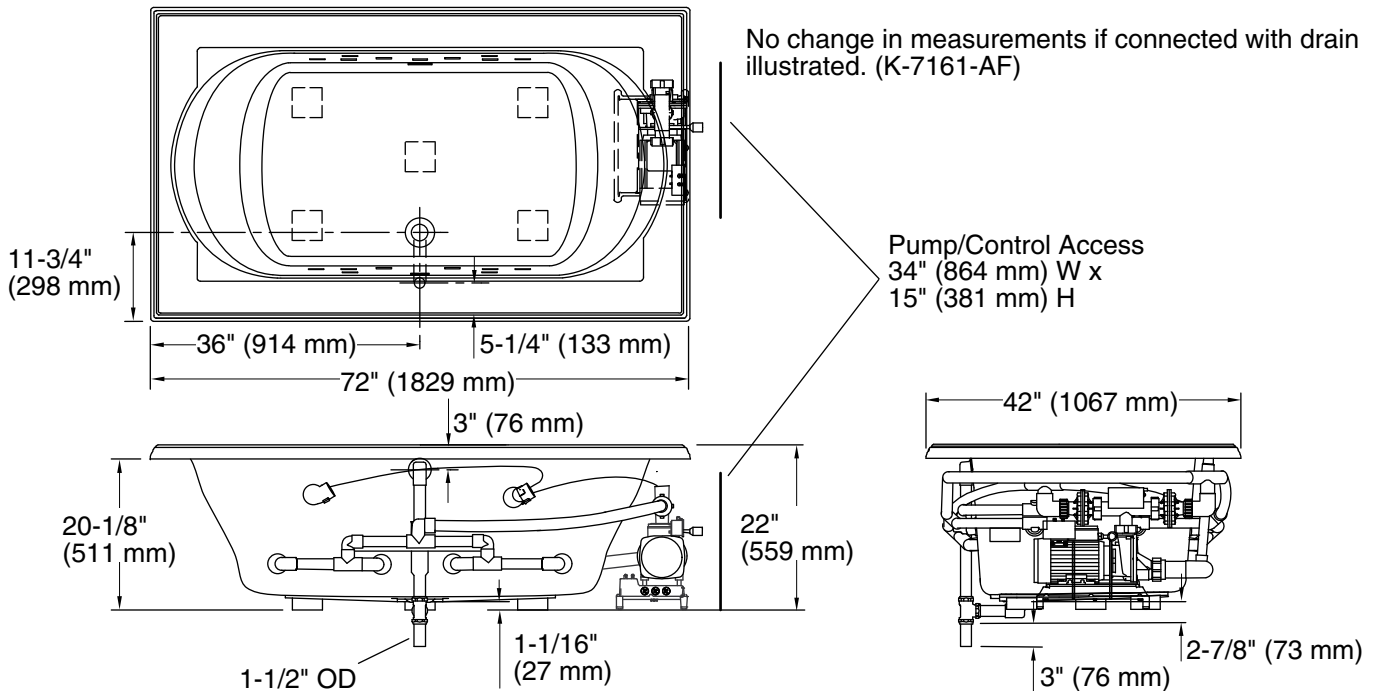
Install this product according to the installation guide.

Floor support under whirlpool must provide for a minimum of 45 lbs/square foot (221 kg/square meter) loading.

Hot water supply should be 70% of capacity or greater. Installations will vary.

If installing a rim-mount faucet, make sure there is no interference with drain overflow and circulating system before drilling any holes. Consult local and national codes for minimum air gap requirements if installing a spout on the faucet deck.

This whirlpool is designed for drop-in installation only. It is not suited for use in a three-wall alcove with an overhead shower.



Product Diagram