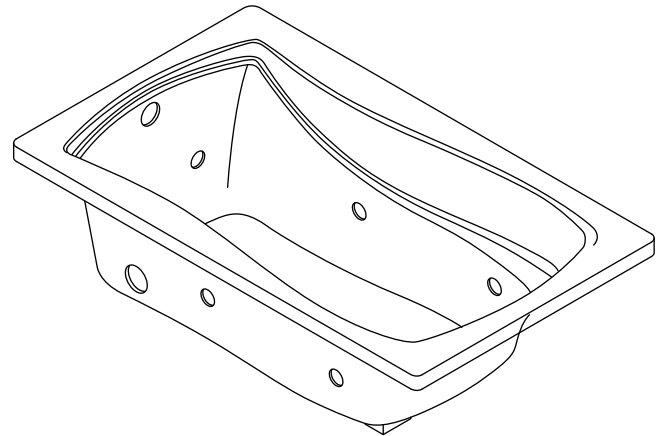


### CUSTOM BATH WHIRLPOOL K-1224-CB

#### Features

- Acrylic
- Drop-in
- 5 individually adjustable ProFlex® hydro-massage jets
- Pump with air switch and grounding-type plug-in cord
- Optional K-9695 metal finish 5 jet trim kit
- Optional K-1234 removable apron
- 66" (1676 mm) x 35-7/8" (911 mm) x 20" (508 mm)



#### Codes/Standards Applicable

Specified model meets or exceeds the following:

- ASME A112.19.7
- ASTM E162
- ASTM E662
- UL 1795
- CSA B45.5/IAPMO Z124

#### Colors/Finishes

- 0: White
- Other: Refer to Price Book for additional colors/finishes

#### Accessories

- CP: Polished Chrome
- PB: Vibrant® Polished Brass
- Other: Refer to Price Book for additional colors/finishes

#### Specified Model

Model	Description	Colors/Finishes		
K-1224-CB	Custom bath whirlpool – drop-in	<input type="checkbox"/> 0	<input type="checkbox"/> Other_____	
<b>Recommended Accessories</b>				
K-7161-AF	Adjustable pop-up drain with tailpiece	<input type="checkbox"/> CP	<input type="checkbox"/> PB	<input type="checkbox"/> Other_____
<b>Optional Accessories</b>				
K-1234	Removable apron	<input type="checkbox"/> 0		<input type="checkbox"/> Other_____
K-9695	Metal finish 5 jet trim kit		<input type="checkbox"/> CP <input type="checkbox"/> PB	<input type="checkbox"/> Other_____

#### Product Specification

The acrylic bath whirlpool shall be 66" (1676 mm) in length, 35-7/8" (911 mm) in width, and 20" (508 mm) in height. Bath whirlpool shall be for drop-in installation. Bath whirlpool shall feature 5 individually adjustable ProFlex® hydro-massage jets, a pump with air switch and grounding-type plug-in cord. Bath whirlpool shall be available with an optional K-1234 removable apron and an optional K-9695 metal finish 5 jet trim kit. Bath whirlpool shall be Kohler Model K-1224-CB-\_\_\_\_\_.

# MARIPOSA®

## Technical Information

Fixture*:			
Bathing well:			
Basin area, bottom	48" (1219 mm) x 24" (610 mm)		
Basin area, top	59" (1499 mm) x 30" (762 mm)		
Weight	110 lbs (49.9 kg)		
To overflow:			
Water depth	14" (356 mm)		
Capacity	67 gal (253.6 L)		
* Approximate measurements for comparison only.			
Drop-in cutout: 64" (1626 mm) x 34" (864 mm)			
Pump:			
	V	Hz	A
1-speed	120	60	7.5

## Required Electrical Service

Dedicated circuit required, protected with a Class A Ground-Fault Circuit-Interrupter (GFCI).	
Pump/control	120 V, 15A, 60 Hz
Locate the outlet behind the whirlpool and within 24" (610 mm) of the pump	

## Installation Notes

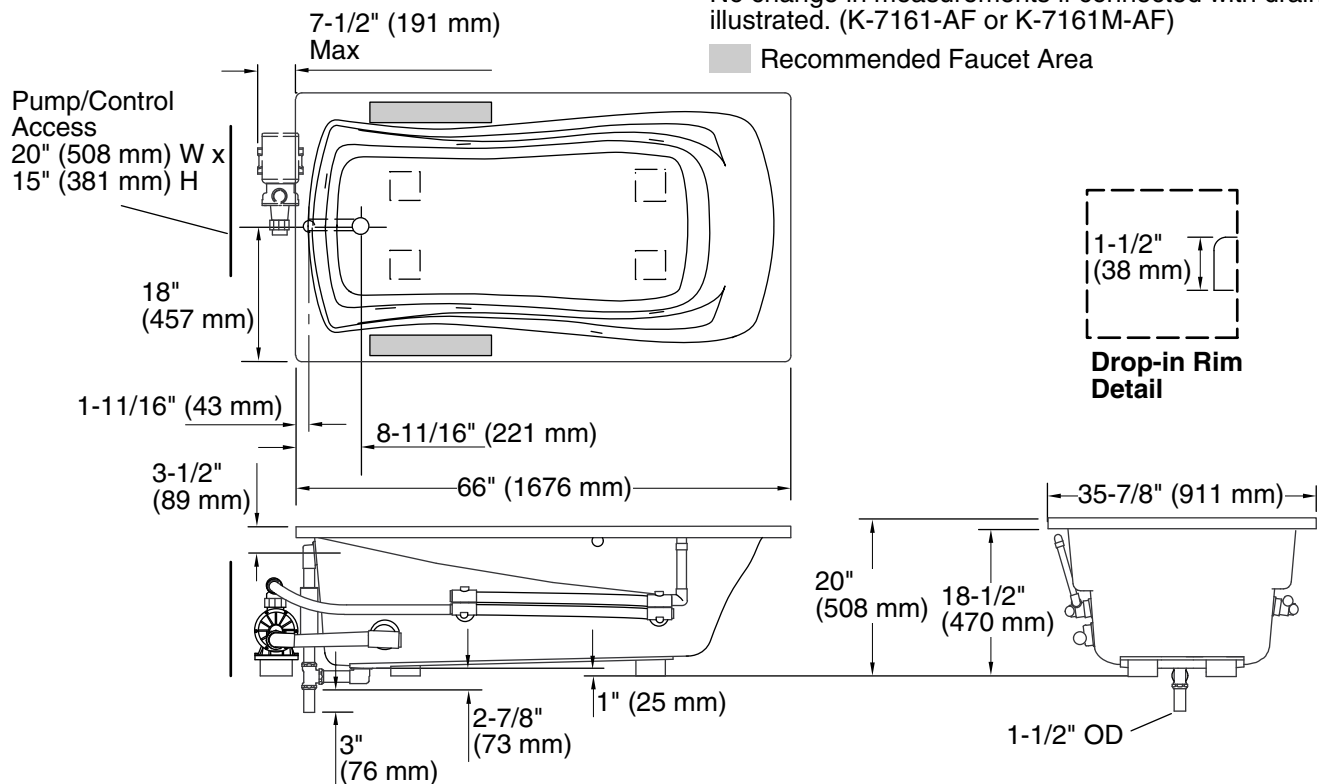
Install this product according to the installation guide.

Floor support under whirlpool must provide for a minimum of 42 lbs/square foot (206 kg/square meter).

If installing a rim-mount faucet, make sure there is no interference with the drain overflow and circulating system before drilling any holes. If installing a spout on the faucet deck, consult local and national codes for minimum air gap requirements.

The apron must be installed before the finished floor and wall materials are installed.

Pump must be relocated to custom position at the time of installation. Provide adequate clearance.



## Product Diagram