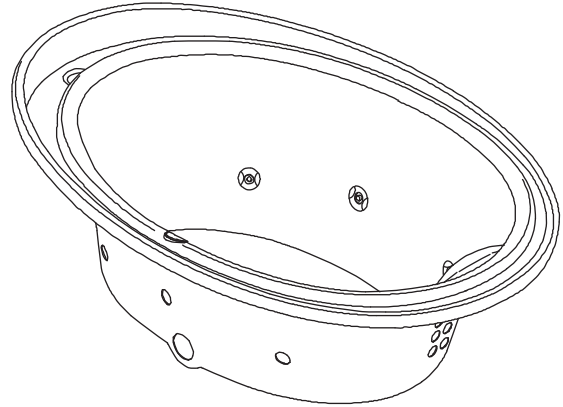


Features

- Acrylic
- Variable speed pump with 1.5 kW heater, back-lit user keypad and remote control
- 6 Flexjets™
- Two pulsating neckjets with pillow
- 240 V, 20 A electrical service
- Coordinates with the Purist® Suite
- Overflows into horizontal overflow drain for maximum bathing depth
- Ten color-matched sequencing Bodyssage backjets
- Deep bathing well 19-1/4" (489 mm)
- 72" (1829 mm) x 46" (1168 mm) x 23-3/16" (589 mm)

BATH WHIRLPOOL WITH MASSAGE EXPERIENCE K-1110-M



Codes/Standards Applicable

Specified model meets or exceeds the following:

- ASME A112.19.7
- UL 1795
- CSA B45.5/IAPMO Z124
- ASTM E162
- ASTM E662

Colors/Finishes

- 0: White
- Other: Refer to Price Book for additional colors/finishes

Accessories

- 0: White
- CP: Polished Chrome
- Other: Refer to Price Book for additional colors/finishes

Specified Model

Model	Description	Colors/Finishes	
K-1110-M	Bath whirlpool with Massage Experience	<input type="checkbox"/> 0	<input type="checkbox"/> Other_____
Required Accessories			
K-7273	Clearflo horizontal overflow bath drain	<input type="checkbox"/> CP	<input type="checkbox"/> Other_____
Optional Accessories			
K-1601	Footstop	<input type="checkbox"/> 0	<input type="checkbox"/> Other_____

Product Specification

The acrylic bath whirlpool with massage experience shall be 72" (1829 mm) in length, 46" (1168 mm) in width, and 23-3/16" (589 mm) in height. Product shall have a variable speed pump with 1.5 kW heater, back-lit user keypad, and remote control. Product shall have 6 Flexjets, ten color-matched sequencing Bodyssage backjets, and two pulsating neckjets with pillow. Product shall overflow into a horizontal overflow drain for maximum bathing depth. Product shall have a 19-1/4" (489 mm) deep bathing well. Product shall coordinate with Purist™ Suite. Bath whirlpool shall be Kohler Model K-1110-M-_____.

PURIST®

Technical Information

Fixture:*				
Bathing well:				
Basin area, bottom	42" (1067 mm) x 25-1/2" (648 mm)			
Basin area, top	63" (1600 mm) x 31-1/2" (800 mm)			
Weight	160 lbs (72.6 kg)			
To overflow:				
Water depth to rim	19-1/4" (489 mm)			
Capacity	96 gal (363.4 L)			
* Approximate measurements for comparison only.				
Pump	Heater	V	Hz	A
	1.5 kW	240	50/60	15
Included component:				
Cut-out template			1016369-7	

Required Electrical Service

Dedicated circuit required, protected with Class A Ground-Fault Circuit-Interrupter (GFCI) or Residual Current Device (RCD):	
Pump/control	220/240 V, 20 A, 50/60 Hz

Installation Notes

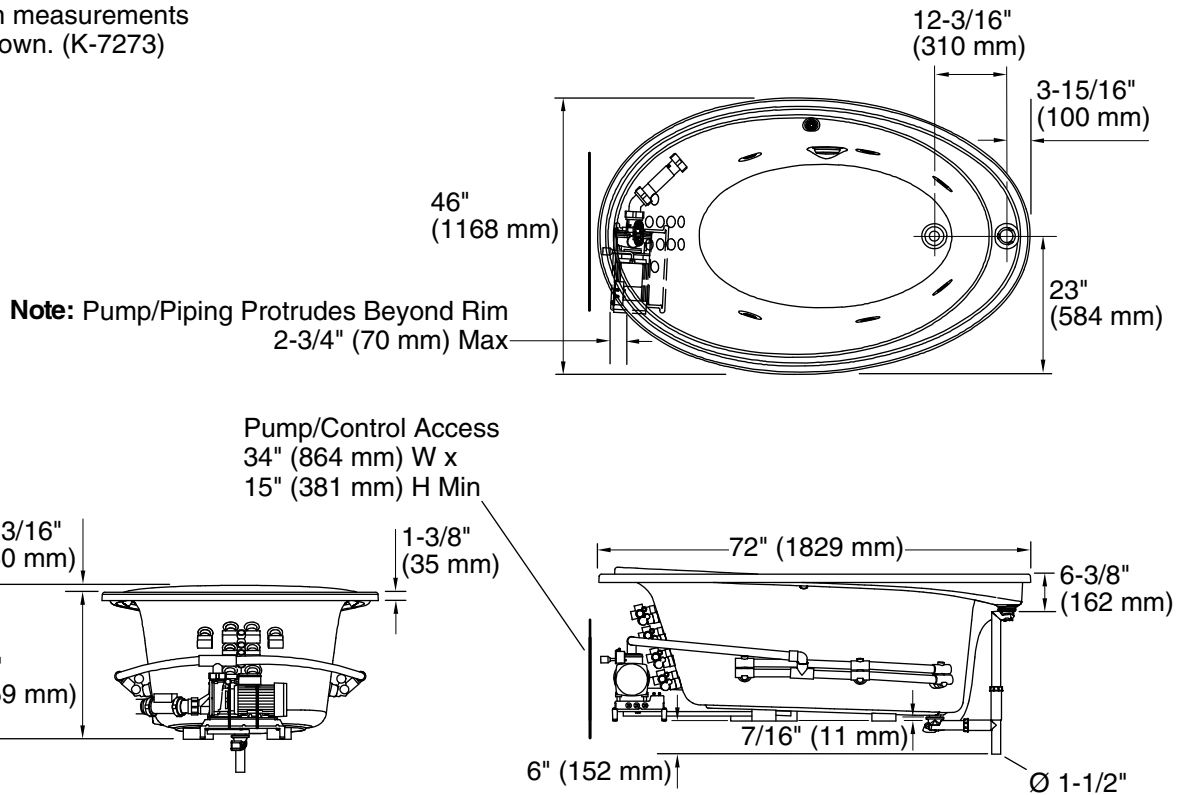
Install this product according to the installation guide.

Pump/piping protrudes beyond rim (see below).

Floor support under whirlpool must provide a minimum of 43 lbs/square foot (209 kg/square meter) loading.

Hot water supply should be 70% of capacity or greater. Installations will vary.

No change in measurements with drain shown. (K-7273)



Product Diagram