

## HOURGLASS® 32

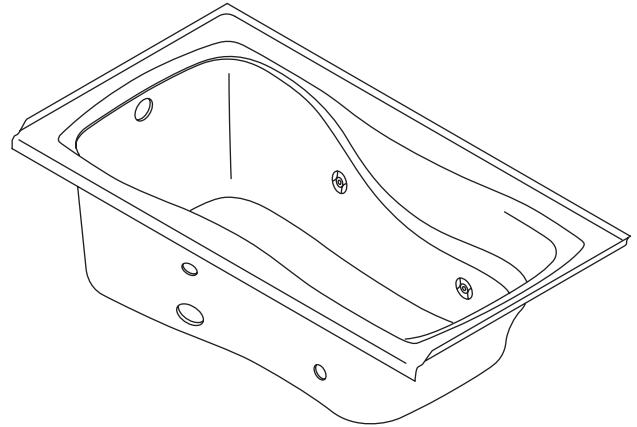
### BATH WHIRLPOOL

# K-1209

ALSO K-1209-L, K-1209-R

### Features

- Acrylic
- Pump with air switch and grounding-type plug-in cord
- 4 individually adjustable ProFlex® hydro-massage jets
- Textured bottom surface
- Optional K-9694 metal finish 4 jet trim kit
- Available for drop-in installation [K-1209]
- Available with 3-side integral tile flange for alcove installation [-L, -R]
- Available with left or right drain [-L, -R]
- 60" (1524 mm) x 32" (813 mm) x 20" (508 mm)



### Codes/Standards Applicable

Specified model meets or exceeds the following:

- ANSI Z124.1.2
- UL 1795
- ASME A112.19.7
- ASTM E162
- ASTM E662

### Colors/Finishes

- 0: White
- Other: Refer to Price Book for additional colors/finishes

### Accessories

- CP: Polished Chrome
- PB: Vibrant® Polished Brass
- Other: Refer to Price Book for additional colors/finishes

### Specified Model

Model	Description	Colors/Finishes	
K-1209	Bath whirlpool – drop-in	<input type="checkbox"/> 0	<input type="checkbox"/> Other _____
K-1209-L	Bath whirlpool – 3-side integral tile flange, left drain (shown)	<input type="checkbox"/> 0	<input type="checkbox"/> Other _____
K-1209-R	Bath whirlpool – 3-side integral tile flange, right drain	<input type="checkbox"/> 0	<input type="checkbox"/> Other _____

#### Recommended Accessories

K-7161-AF	Adjustable pop-up drain	<input type="checkbox"/> CP	<input type="checkbox"/> PB	<input type="checkbox"/> Other _____
-----------	-------------------------	-----------------------------	-----------------------------	--------------------------------------

#### Optional Accessories

K-9694	Jet trim kit (metal finishes)	<input type="checkbox"/> CP	<input type="checkbox"/> PB	<input type="checkbox"/> Other _____
--------	-------------------------------	-----------------------------	-----------------------------	--------------------------------------

### Product Specification

The acrylic bath whirlpool shall be 60" (1524 mm) in length, 32" (813 mm) in width, and 20" (508 mm) in height. Product shall feature 4 individually adjustable ProFlex hydro-massage jets, a textured bottom surface, and a pump with air switch and grounding-type plug-in cord. Product shall be available with a left or right drain [-L, -R]. Product shall be available with 3-side integral tile flange for alcove installation [-L, -R] or drop-in installation [K-1209]. Product shall an optional K-9694 metal finish 4 jet trim kit available. Bath whirlpool shall be Kohler Model K-1209-\_\_\_\_ or K-1209-\_\_\_\_-\_\_\_\_.

# HOURGLASS® 32

## Technical Information

Fixture*:			
Basin area			
Basin area bottom	47" (1194 mm) x 20" (508 mm)		
Basin area top	53" (1346 mm) x 23" (584 mm)		
Weight	100 lbs (45.4 kg)		
To overflow			
Water depth	14-1/2" (368 mm)		
Capacity	64 gal (242.3 L)		
* Approximate measurements for comparison only.			
Drop-in cut-out 58-1/2" (1486 mm) x 30-1/2" (775 mm)			
Pump	V	Hz	A
1-speed	120	60	7.5

## Required Electrical Service

Dedicated circuit required, protected with Class A Ground-Fault Circuit-Interrupter (GFCI):	
Pump/control	120 V, 15 A, 60 Hz
Locate the outlet behind the whirlpool and within 24" (610 mm) of the pump.	

## Installation Notes

Install this product according to the installation guide.

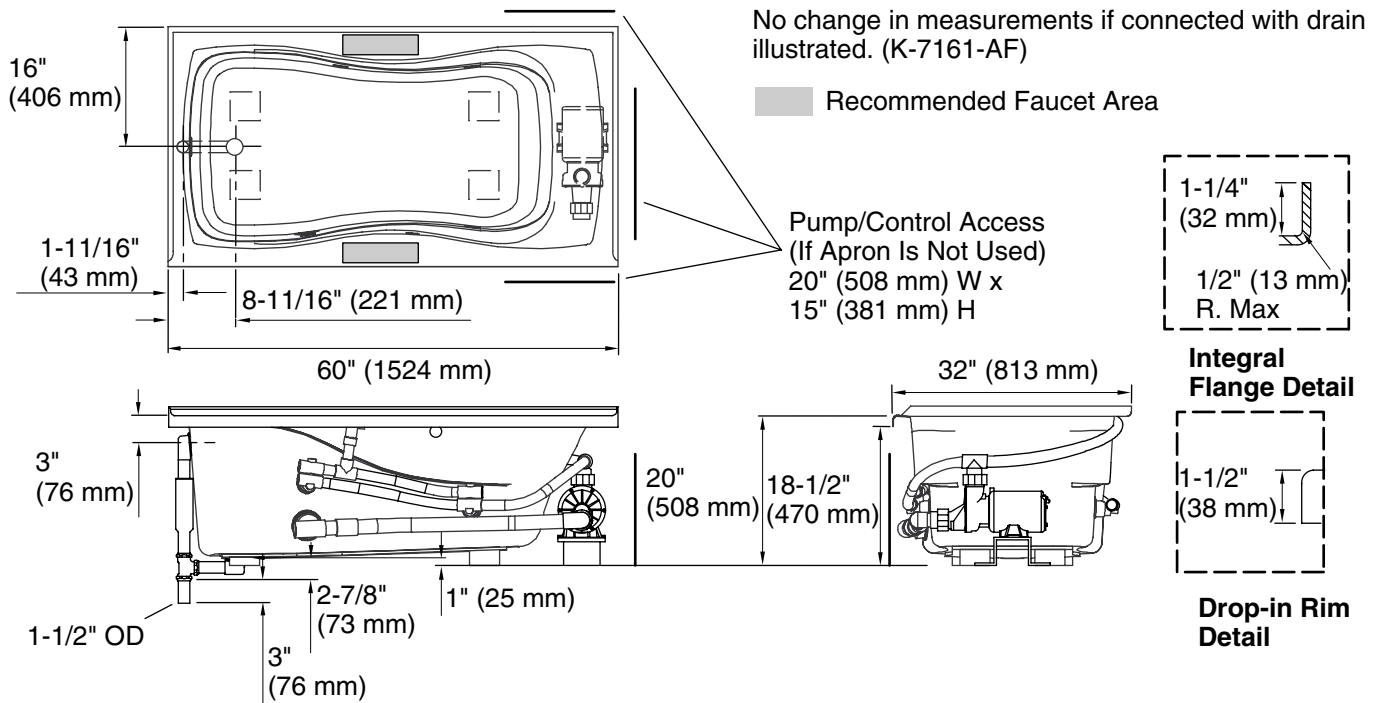
Floor support under bath whirlpool must provide for a minimum of 50 lbs/square foot (242 kg/square meter) loading.

The hot water supply should be 70% of the capacity of the bath or greater. Installations will vary.

Rim-mount faucet installations: Before drilling the mounting holes, ensure the faucet does not interfere with the drain overflow and circulating system.

Deck-mount spout installations: Consult local and national codes for minimum air gap requirements.

The apron must be installed before the finished floor and wall materials are installed.



## Product Diagram