

BATH WHIRLPOOL K-842-H2 ALSO K-845-H2

ADA

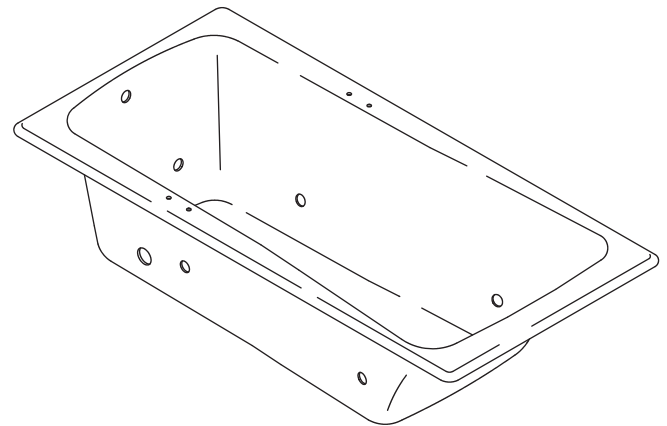
Features

- Cast iron with Safeguard® finish
- Variable speed pump with 1.5 kW heater, back-lit user keypad, and remote control
- 5 Flexjets
- UL listed
- Less all trim
- ADA compliant when installed per Section 607 of the Act
- K-842-H2 - Drilled for K-9621 grab bars (required)
- 66" (1676 mm) x 32" (813 mm) x 18-1/4" (464 mm)

Codes/Standards Applicable

Specified model meets or exceeds the following:

- ASME A112.19.1/CSA B45.2
- ASME A112.19.7
- CSA B45.10
- CSA C22.2 No 218.2
- UL 1795
- ADA
- ICC/ANSI A117.1



Colors/Finishes

- 0: White
- Other: Refer to Price Book for additional colors/finishes

Accessories

- CP: Polished Chrome
- PB: Vibrant® Polished Brass
- Other: Refer to Price Book for additional colors/finishes

Specified Model

| Model | Description | Colors/Finishes | | |
|--------------------------------|---|-----------------------------|--------------------------------------|--------------------------------------|
| K-842-H2 | Bath whirlpool with grab bars (shown) | <input type="checkbox"/> 0 | <input type="checkbox"/> Other _____ | |
| K-845-H2 | Bath whirlpool, less grab bars | <input type="checkbox"/> 0 | <input type="checkbox"/> Other _____ | |
| Required Accessories | | | | |
| K-9621 | Grab bars (pair) - required for K-842-H2 only | <input type="checkbox"/> CP | <input type="checkbox"/> PB | <input type="checkbox"/> Other _____ |
| K-9695 | Jet trim kit | <input type="checkbox"/> CP | <input type="checkbox"/> PB | <input type="checkbox"/> Other _____ |
| Recommended Accessories | | | | |
| K-7161-TF | Clearflo pop-up bath drain | <input type="checkbox"/> CP | <input type="checkbox"/> PB | <input type="checkbox"/> Other _____ |

Product Specification

The bath whirlpool shall be 66" (1676 mm) in length, 32" (813 mm) in width, and 18-1/4" (464 mm) in height. Product shall be made of cast iron with Safeguard® finish. Product shall have 5 Flexjets, a variable speed pump with 1.5 kW heater, and back-lit user control. Product shall be ADA compliant when installed per Section 607 of the Act. Product shall be UL listed and less all trim. K-842-H2 bath whirlpool shall be drilled for K-9621 grab bars (required). Bath whirlpool shall be Kohler Model K-_____-_____-_____.

MAESTRO™

Optional Accessories

| | | |
|-------|--|-----------------------------|
| K-585 | Undermount installation kit (template and installation instructions) - K-845-H2 only | <input type="checkbox"/> NA |
|-------|--|-----------------------------|

Technical Information

| | | | |
|---|--------------------------------------|-----|----|
| Fixture*: | | | |
| Bathing well: | | | |
| Basin area, bottom | 47" (1194 mm) x 21" (533 mm) | | |
| Basin area, top | 57" (1448 mm) x 25" (635 mm) | | |
| Weight | 420 lbs (190.5 kg) | | |
| To overflow: | | | |
| Water depth | 13" (330 mm) | | |
| Capacity | 55 gal (208.2 L) | | |
| * Approximate measurements for comparison only. | | | |
| Pump | kW | V | A* |
| | 1.5 | 240 | 11 |
| * Approximate measurements for comparison only. | | | |
| Drop-in cut-out | 64-1/4" (1632 mm) x 30-1/2" (775 mm) | | |

| | |
|-----------------------------------|----------------|
| Cut-out for undermount (K-845-H2) | K-585 template |
|-----------------------------------|----------------|

Required Electrical Service

Dedicated circuit required, protected with Class A Ground-Fault Circuit-Interrupter (GFCI) or Residual Current Device (RCD):

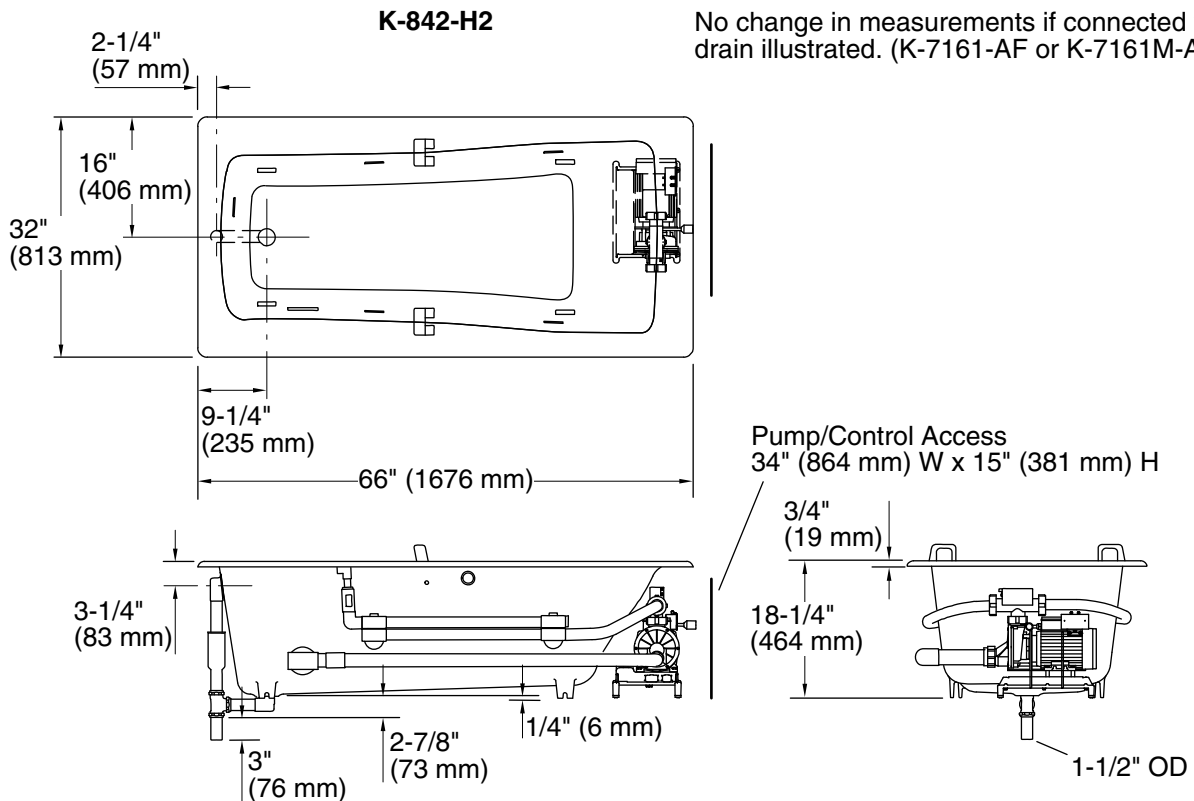
| | |
|--------------|---------------------------|
| Pump/control | 208-240 V, 20 A, 50/60 Hz |
|--------------|---------------------------|

Installation Notes

Install this product according to the installation guide.

Cast iron whirlpools are extremely heavy, making some drop-in installations difficult. Splitting the deck/surround is recommended if installing into a deck.

Floor support under whirlpool must provide for a minimum of 62 lbs/square foot (301 kg/square meter) loading.



Product Diagram