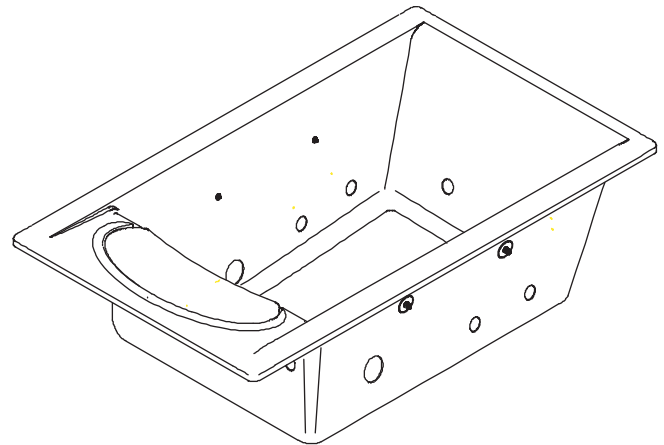


QUADRANGLE WHIRLPOOL K-1365-H2 ALSO K-1365-H3

Features

- Acrylic
- Waterfall
- UL listed
- Less all trim
- Two variable speed pumps with back-lit user control and remote control
- 4 kW heater (on separate electrical service)
- 8 Flexjets™
- 4 Riverjets
- 4 chromatherapy lights (H2 model only)
- Air aspiration "On/Off" feature
- 75" (1905 mm) x 45" (1143 mm) x 25" (635 mm) (27-1/2" (699 mm) high with pillow)
- One large pillow and two small pillows



Codes/Standards Applicable

Specified model meets or exceeds the following:

- ANSI Z124.1.2
- ASME A112.19.7
- UL 1795
- CSA B45.5/IAPMO Z124
- ASTM E162
- ASTM E662

Colors/Finishes

- 0: White
- Other: Refer to Price Book for additional colors/finishes

Accessories

- CP: Polished Chrome
- PB: Vibrant® Polished Brass
- Other: Refer to Price Book for additional colors/finishes

Specified Model

Model	Description	Colors/Finishes	
K-1365-H2	Quadrangle whirlpool with chromatherapy lights	<input type="checkbox"/>	<input type="checkbox"/> Other_____
K-1365-H3	Quadrangle whirlpool less chromatherapy lights	<input type="checkbox"/>	<input type="checkbox"/> Other_____

Recommended Accessories				
K-9398	Flexjet trim kit	<input type="checkbox"/> CP	<input type="checkbox"/> PB	<input type="checkbox"/> Other_____
K-9669	Grab bar kit	<input type="checkbox"/> CP	<input type="checkbox"/> PB	<input type="checkbox"/> Other_____

Recommended Accessories				
K-7167	Clearflo pop-up bath drain	<input type="checkbox"/> CP	<input type="checkbox"/> PB	<input type="checkbox"/> Other_____

Product Specification

The acrylic quadrangle whirlpool shall be 75" (1905 mm) in length, 45" (1143 mm) in width, and 25" (635 mm) in height (27-1/2"/699 mm in height with pillow). Product shall have 8 Flexjets, 4 Riverjets, and 4 chromatherapy lights (H2 model only). Product shall have waterfall, 4 kW heater, two variable speed pumps with back-lit user control and remote control. Product shall be UL listed and less all trim. Product shall have air aspiration "On/Off" feature, one large pillow and two small pillows. Quadrangle whirlpool shall be Kohler Model K-1365-_____-_____.

RIVERBATH®

Technical Information

Fixture*:	
Bathing well:	
Basin area, bottom	46" (1168 mm) x 34" (864 mm)
Basin area, top	57" (1448 mm) x 37" (940 mm)
Weight	215 lbs (98 kg)
To overflow:	
Water depth	20" (508 mm)
Capacity	149 gal (564 L)
* Approximate measurements for comparison only.	

Pump: (Qty. 2)	V	Hz	A
Variable speed:	240	50/60	18

Included components:	
Cut-out template	1000153-7

Required Electrical Service

Dedicated circuit required, protected with Class A Ground-Fault Circuit-Interrupter (GFCI) or Residual Current Device (RCD):	
Pump/control	220-240 V, 20 A, 50/60 Hz
Heater	220-240 V, 20 A, 50/60 Hz, 4 kW

Installation Notes

Install this product according to the installation guide.

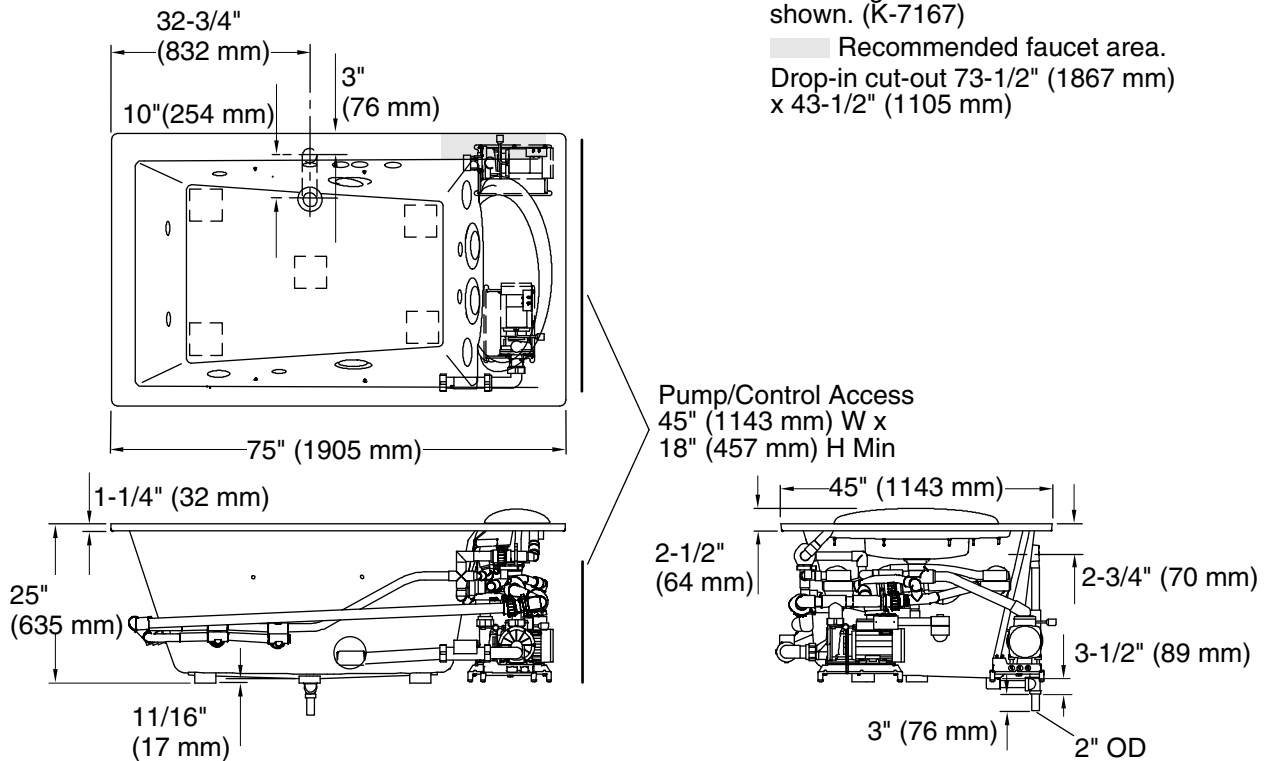
Two separate 240 V electrical services required; one for the pump/control, and another for the heater.

Floor support under whirlpool must provide for a minimum of 62 lbs/square foot (303 kg/square meter) loading.

Hot water supply should be 70% of capacity or greater. Installations will vary.

Consult local and national codes for minimum air gap requirements if installing a spout on the faucet deck other than that supplied.

K-1365-H3



Product Diagram