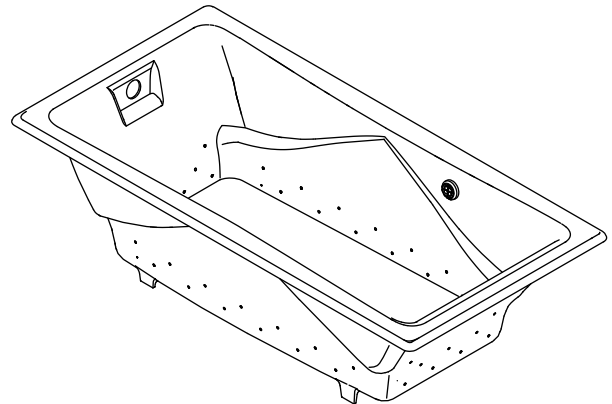


Features

- Cast iron with Safeguard® finish
- Blower motor with 300 W heater and electronic back-lit user control
- 44 BubbleMassage™ airjets less chromatherapy
- 40 BubbleMassage™ airjets with chromatherapy
- 18 levels of airflow adjustability
- With Zones of Control™, surge, and automatic purge features
- 71-3/4" (1822 mm) x 36" (914 mm) x 20-7/8" (530 mm)

6' (1.8 m) BUBBLEMASSAGE™ BATH K-865-G ALSO K-865-GC



Codes/Standards Applicable

Specified model meets or exceeds the following:

- ASME A112.19.1/CSA B45.2
- ASME A112.19.7
- CSA C22.2 No 218.2
- UL 1795

Colors/Finishes

- 0: White
- CP: Polished Chrome
- NA: None applicable
- Other: Refer to Price Book for additional colors/finishes

Specified Model

Model	Description	Airjet Trim Color		Colors/Finishes	
		<input type="checkbox"/> CP	<input type="checkbox"/> Other_____	<input type="checkbox"/> 0	<input type="checkbox"/> Other_____
K-865-G	6' (1.8 m) BubbleMassage bath – less chromatherapy	<input type="checkbox"/> CP	<input type="checkbox"/> Other_____	<input type="checkbox"/> 0	<input type="checkbox"/> Other_____
K-865-GC	6' (1.8 m) BubbleMassage bath – with chromatherapy	<input type="checkbox"/> CP	<input type="checkbox"/> Other_____	<input type="checkbox"/> 0	<input type="checkbox"/> Other_____

Required Accessories

K-7169-AF	Pop-up bath drain	<input type="checkbox"/> CP	<input type="checkbox"/> Other_____
-----------	-------------------	-----------------------------	-------------------------------------

Optional Accessories

K-582	Undermount installation kit (template and installation guide)		<input type="checkbox"/> NA
K-1491	Removable pillow	<input type="checkbox"/> 0	<input type="checkbox"/> Other_____
K-1601	Removable footstop	<input type="checkbox"/> 0	<input type="checkbox"/> Other_____
K-1705	Remote control		<input type="checkbox"/> NA
K-9498	3" (76 mm) keypad trim	<input type="checkbox"/> CP	<input type="checkbox"/> Other_____

Product Specification

The BubbleMassage bath shall be made of cast iron with Safeguard finish. Bath shall be 71-3/4" (1822 mm) in length, 36" (914 mm) in width, and 20-7/8" (530 mm) in height. Bath shall have 44 BubbleMassage airjets less chromatherapy or 40 BubbleMassage airjets with chromatherapy. Bath shall have a blower motor with 300 W heater and electronic back-lit user control. Bath shall have 18 levels of airflow adjustability. Bath shall be with Zones of Control, surge, and automatic purge features. Bath shall be Kohler Model K-865-G _____ or K-865-GC _____.

TEA-FOR-TWO®

Technical Information

Fixture*:				
Bathing well:				
Basin area, bottom	49" (1245 mm) x 22" (559 mm)			
Basin area, top	62" (1575 mm) x 28" (711 mm)			
Weight	455 lbs (206.4 kg)			
To overflow:				
Water depth	17" (432 mm)			
Capacity	89 gal (336.9 L)			
* Approximate measurements for comparison only.				
Drop-in cut-out		70-1/4" (1784 mm) x 34-1/2" (876 mm)		
Cut-out for undermount		K-582		
Blower motor:	Heater	V	Hz	A
	300 W	220-240	50/60	3

Required Electrical Service

Dedicated circuit required, protected with Class A Ground-Fault Circuit-Interrupter (GFCI):

Blower motor/control	220-240 V, 15 A, 50/60 Hz
----------------------	---------------------------

Installation Notes

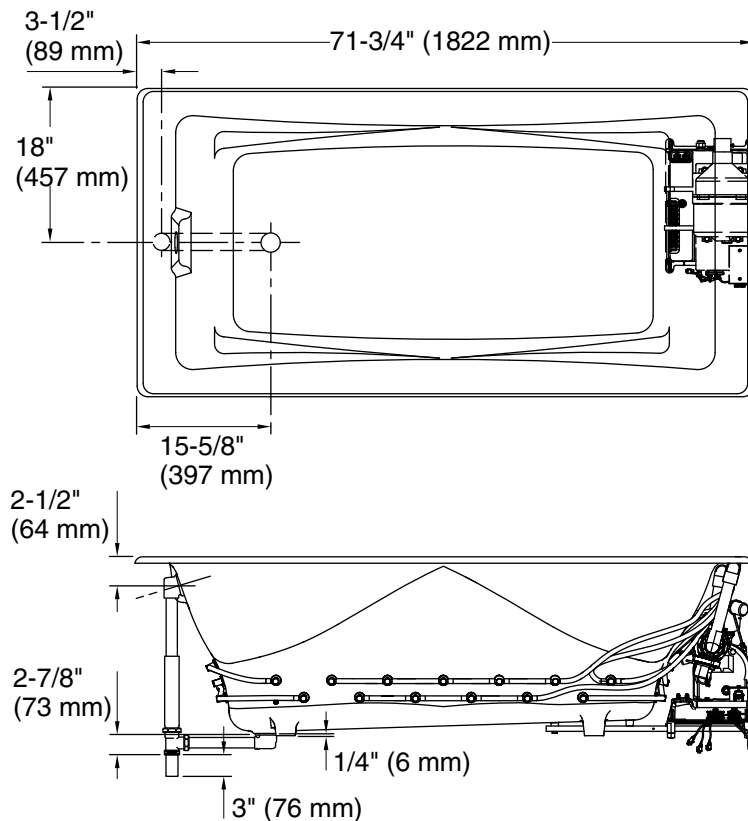
Install this product according to the installation guide.

NOTICE: If the blower motor and check valve are relocated, two access panels are required. Locate one access panel at the blower motor/control location and the other at the control box. Locate the blower motor and check valve together.

Floor support under bath must provide for a minimum of 69 lbs/square foot (333 kg/square meter) loading.

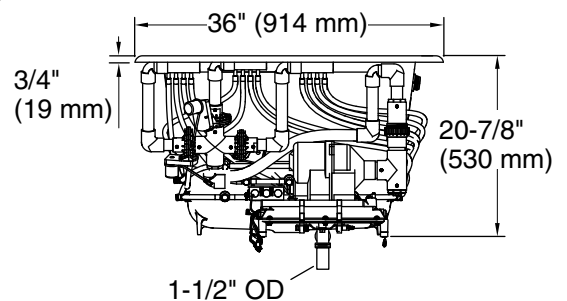
Splitting the deck/surround is recommended if installing into a deck.

Hot water supply should be 70% of capacity or greater. Installations will vary.



No change in measurements if connected with drain illustrated. (K-7169-AF)

Blower Motor/Control Access
34" (864 mm) W x
15" (381 mm) H



Product Diagram