

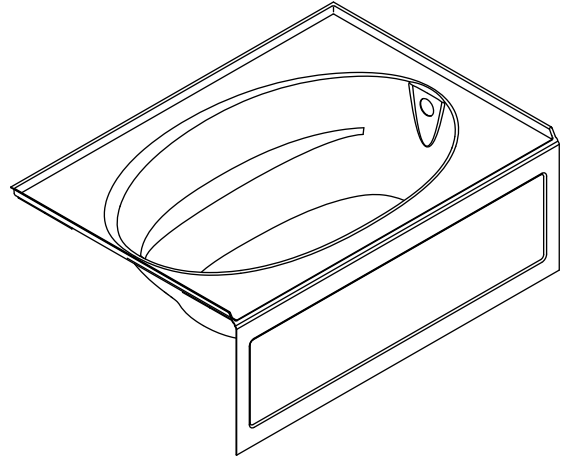
Features

- Acrylic
- Rectangular shape
- Molded lumbar supports and armrests
- Integral apron
- Integral tile flange
- 60" (1524 mm) x 42" (1067 mm) x 21" (533 mm)

BATH WITH INTEGRAL APRON

K-1113-LA

ALSO K-1113-RA



Codes/Standards Applicable

Specified model meets or exceeds the following:

- CSA B45.5/IAPMO Z124
- ASTM E162
- ASTM E662

Colors/Finishes

- 0: White
- Other: Refer to Price Book for additional colors/finishes

Accessories:

- CP: Polished Chrome

Specified Model

Model	Description	Colors/Finishes	
K-1113-LA	Integral apron, left drain	<input type="checkbox"/> 0	<input type="checkbox"/> Other _____
K-1113-RA	Integral apron, right drain	<input type="checkbox"/> 0	<input type="checkbox"/> Other _____
Recommended Accessory			
K-11677	Drain OR	<input type="checkbox"/> CP	<input type="checkbox"/> Other _____
K-7166	Drain	<input type="checkbox"/> CP	<input type="checkbox"/> Other _____

Product Specification

The rectangular shaped bath shall be 60" (1524 mm) in length, 42" (1067 mm) in width, and 21" (533 mm) in height. Bath shall be made of acrylic. Bath shall have an integral apron with removable access panel and integral tile flange. Bath shall have molded lumbar supports and armrests. Bath shall be Kohler Model K-1113-__-__.

WINDWARD™

Technical Information

Fixture*:	basin area	top area	weight
Bathing well	43" (1092 mm) x 20-1/2" (521 mm)	53-1/2" (1359 mm) x 32-1/8" (816 mm)	80 lbs (36 kg)
	water depth	capacity	
To overflow	15" (381 mm)	57 gal (215.9 L)	

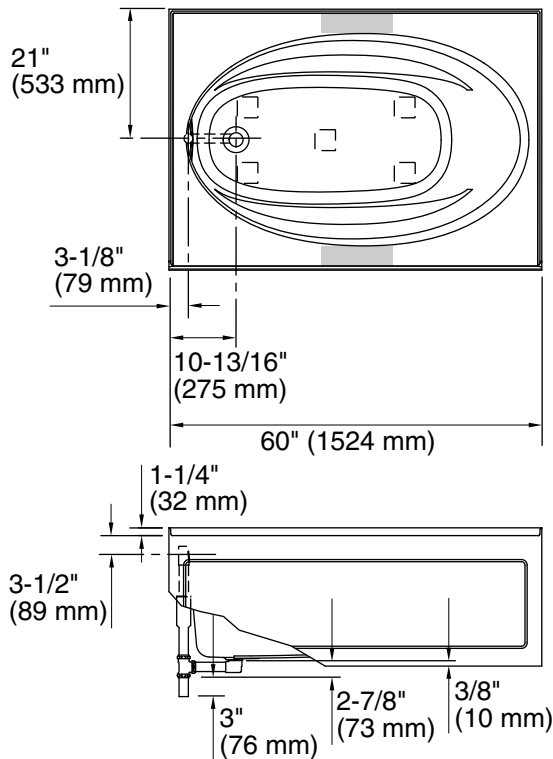
* Approximate measurements for comparison only.

Installation Notes

Install this product according to the installation guide.

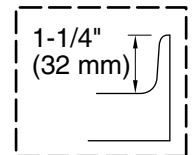
Floor support under the bath must provide for a minimum of 33 lbs/square foot (162 kg/square meter) loading.

If installing a rim-mount faucet, make sure there is no interference with the drain overflow before drilling any holes. Consult local and national codes for minimum air gap requirements if installing a spout on the faucet deck.

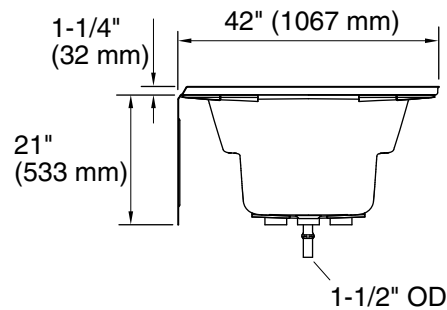


No change in measurements if connected with drain illustrated. (K-11677)

Recommended faucet area



Tile Flange Detail



Product Diagram