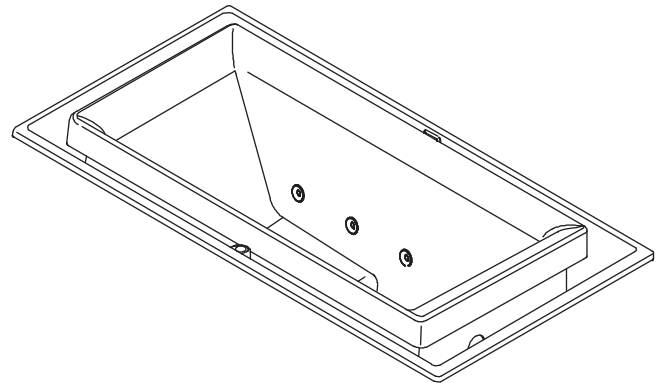


## Features

- Cascading water over rim
- 4 kW 240 V heater
- Quiet 240 V pump with automatic shutdown
- With optional chromatherapy package
- Adjustable bath leveling system
- Left or right drain
- Effervescent bubbles with 11 ports
- Outer shell: 75" (1905 mm) x 41" (1041 mm) x 25" (635 mm)
- Interior rim: 63" (1600 mm) x 31-1/2" (800 mm) x 23-1/2" (597 mm)
- Interior base: 45" (1143 mm) x 25-1/2" (648 mm)

## OVERFLOWING BATH K-1188-C1 ALSO K-1188-RE, K-1189-C1/-RE



## Codes/Standards Applicable

Specified model meets or exceeds the following:

- ASME A112.19.7
- UL 1795
- CSA B45.5/IAPMO Z124
- ASTM E162
- ASTM E662

## Colors/Finishes

- 0: White
- Other: Refer to Price Book for additional colors/finishes

## Accessories

- CP: Polished Chrome
- PB: Vibrant® Polished Brass
- Other: Refer to Price Book for additional colors/finishes

## Specified Model

Model	Description	Colors/Finishes	
K-1188-C1	Overflowing bath – with chromatherapy lights, right drain (shown)	<input type="checkbox"/> 0	<input type="checkbox"/> Other_____
K-1188-RE	Overflowing bath – right drain	<input type="checkbox"/> 0	<input type="checkbox"/> Other_____
K-1189-C1	Overflowing bath – with chromatherapy lights, left drain	<input type="checkbox"/> 0	<input type="checkbox"/> Other_____
K-1189-RE	Overflowing bath – left drain	<input type="checkbox"/> 0	<input type="checkbox"/> Other_____

### Required Accessory

K-7193	Adjustable pop-up drain - above or through-the-floor drain	<input type="checkbox"/> CP	<input type="checkbox"/> PB	<input type="checkbox"/> Other_____
--------	--	-----------------------------	-----------------------------	-------------------------------------

### Optional Accessory

K-1601	Footstop	<input type="checkbox"/> 0	<input type="checkbox"/> Other_____
--------	----------	----------------------------	-------------------------------------

## Product Specification

The overflowing bath shall be made of fiberglass (FRP) with raised molded seat. Product shall have an outer shell dimension of 75" (1905 mm) in length, 41" (1041 mm) in width, and 25" (635 mm) in height. Product shall have an interior rim dimension of 63" (1600 mm) in length, 31-1/2" (800 mm) in width, and 23-1/2" (597 mm) in depth. Product shall have an interior base dimension of 45" (1143 mm) in length and 25-1/2" (648 mm) in width. Product shall feature cascading water over rim and effervescent bubbles with 11 effervescent ports. Product shall have a 4 kW (240 V) heater, quiet (240 V) pump with shutdown, and an adjustable bath leveling system. Overflowing bath shall be available with left or right drain and optional chromatherapy package. Overflowing bath shall be Kohler Model K-\_\_\_\_-\_\_\_\_-\_\_\_\_.

## Technical Information

Fixture*:			
Bathing well:			
Basin area, bottom	45" (1143 mm) x 25-1/2" (648 mm)		
Basin area, top	63" (1600 mm) x 31-1/2" (800 mm)		
Weight	275 lbs (124.7 kg)		
To overflow:			
Water depth	23-1/2" (597 mm)		
Capacity	142 gal (537.5 L)		
* Approximate measurements for comparison only.			
Drop-in cut-out	73-1/2" (1867 mm) x 39-1/2" (1003 mm)		
Pump:	V	Hz	A
	240	50/60	17
Heater:	4 kW	240	50/60
		50/60	17

## Required Electrical Service

Two dedicated circuits required, each protected with Class A Ground-Fault Circuit-Interrupter (GFCI) or Residual Current Device (RCD):	
Pump/control	208-240 V, 20 A, 50/60 Hz
Heater	208-240 V, 20 A, 50/60 Hz

## Installation Notes

Install this product according to the installation guide.

Two separate 240 V electrical services are required; one for the pump/control, and another for the heater.

Floor support under the overflowing bath must provide for a minimum of 65 lbs/square foot (317 kg/square meter) loading.

Consult local and national codes for minimum air gap requirements when installing a spout on the bath deck.

Hot water supply should be 70% of capacity or greater. Installations will vary.

Unit must be filled through the bathing well.

No change in measurements with drain shown. (K-7193 or K-7193M)

