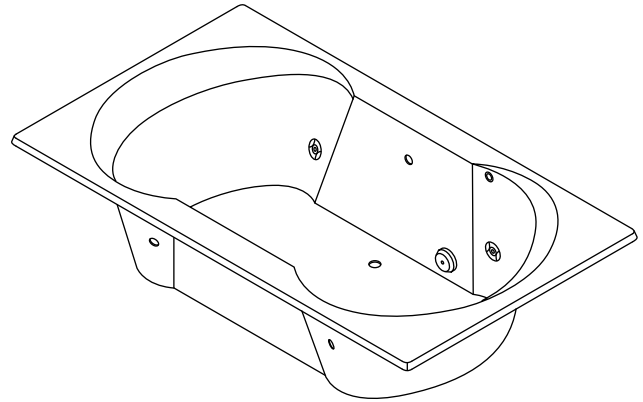


#### Features

- Vikrell®
- Drop-in
- Pump with air switch and grounding-type plug-in cord
- 4 individually adjustable ProFlex® hydro-massage jets
- Optional K-1278 removable apron
- Optional K-9694 metal finish 4 jet trim kit
- Textured bottom surface
- 60" (1524 mm) x 42" (1067 mm) x 20" (508 mm)



#### Codes/Standards Applicable

Specified model meets or exceeds the following:

- ASME A112.19.7
- ANSI Z124.1.2
- UL 1795
- ASTM E162
- ASTM E662

#### Colors/Finishes

- 0: White
- Other: Refer to Price Book for additional colors/finishes

#### Accessories

- CP: Polished Chrome
- PB: Vibrant® Polished Brass
- Other: Refer to Price Book for additional colors/finishes
- NA: None applicable

#### Specified Model

Model	Description	Colors/Finishes	
K-1226	Drop-in bath whirlpool	<input type="checkbox"/> 0	<input type="checkbox"/> Other_____

Required Accessories				
K-7161-AF	Clearflo pop-up bath drain	<input type="checkbox"/> CP	<input type="checkbox"/> PB	<input type="checkbox"/> Other_____
K-7213	Clearflo bath cable drain with PVC tubing	<input type="checkbox"/> CP		<input type="checkbox"/> Other_____
K-7214	Clearflo bath cable drain without PVC tubing	<input type="checkbox"/> CP		<input type="checkbox"/> Other_____

Optional Accessories				
K-1278	Removable apron	<input type="checkbox"/> 0		<input type="checkbox"/> Other_____
K-9694	Metal finish 4 jet trim kit		<input type="checkbox"/> CP <input type="checkbox"/> PB	<input type="checkbox"/> Other_____

#### Product Specification

The drop-in Vikrell bath whirlpool shall be 60" (1524 mm) in length, 42" (1067 mm) in width, and 20" (508 mm) in height. Product shall have 4 individually adjustable ProFlex hydro-massage jets and a pump with air switch and grounding-type plug-in cord. Product shall have textured bottom surface. Product shall be available with an optional K-1278 removable apron and optional K-9694 metal finish 4 jet trim kit. Bath whirlpool shall be Kohler Model K-1226-\_\_\_\_\_.

# OVERTURE®

## Technical Information

Fixture*:	
Bathing well	
Basin area, bottom	37" (940 mm) x 26" (660 mm)
Basin area, top	54" (1372 mm) x 37" (940 mm)
Weight	89 lbs (40.4 kg)
To overflow	
Water depth	14-1/4" (362 mm)
Capacity	69 gal (261.2 L)
* Approximate measurements for comparison only.	

Drop-in cut-out	58-1/2" (1486 mm) x 40-1/2" (1029 mm)
-----------------	---------------------------------------

Pump:	V	Hz	A
1-speed	120	60	7.5

## Required Electrical Service

Dedicated circuits are required, protected with Class A Ground-Fault Circuit-Interrupter (GFCI).	
Pump/control	120 V, 15 A, 60 Hz
Locate the outlet behind the whirlpool and within 24" (610 mm) of the pump.	

## Installation Notes

Install this product according to the installation guide.

Floor support under the bath whirlpool must provide for a minimum of 39 lbs/square foot (193 kg/square meter) loading.

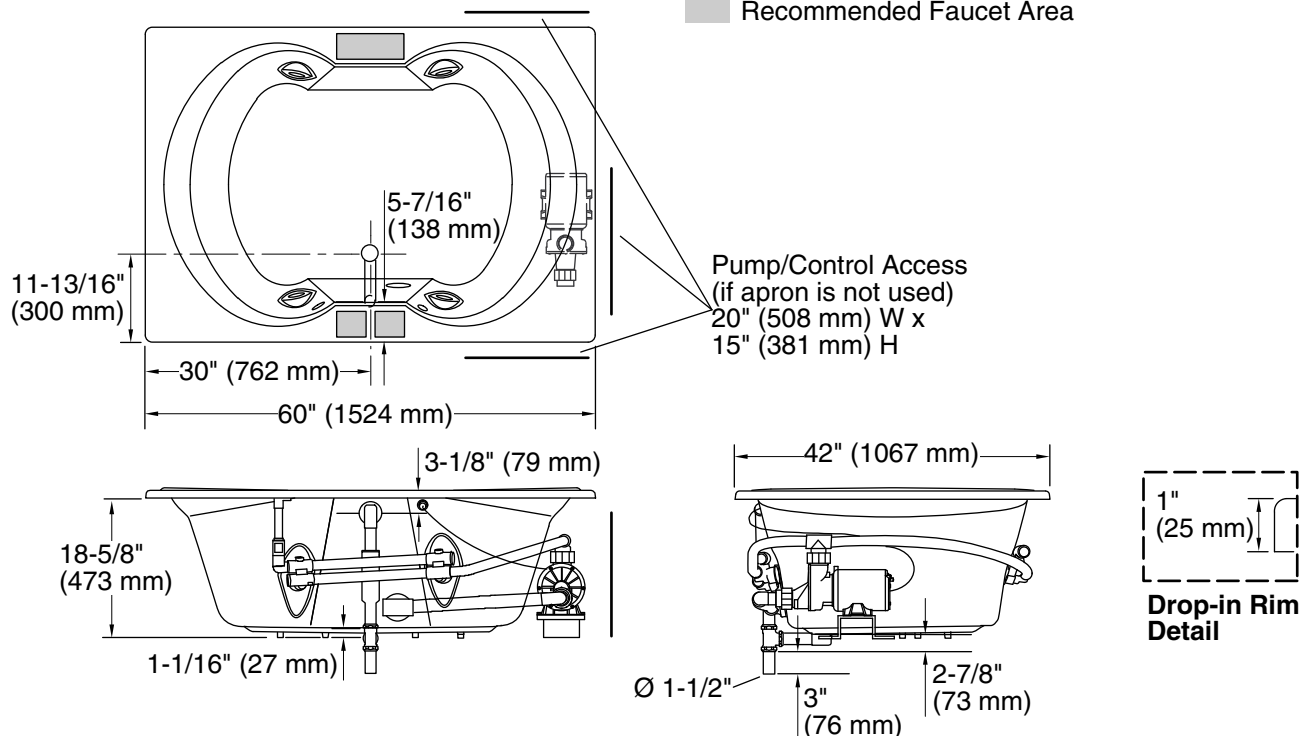
**NOTICE:** This bath whirlpool is designed for bathing only. It is not designed to be used in a three-wall alcove with an overhead shower.

If installing a rim-mount faucet, make sure there is no interference with the drain overflow and circulating system before drilling any holes. Consult local and national codes for minimum air gap requirements if installing a spout on the faucet deck.

The apron must be installed before the finished floor and wall materials are installed.

No change in measurements if connected with drain illustrated. (K-7161-AF)

■ Recommended Faucet Area



## Product Diagram