

**Features**

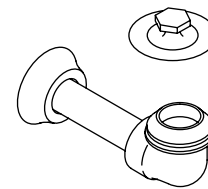
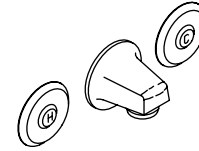
- Brass construction
- For 5-1/2" (14 cm) centers
- 1-1/4" (3.2 cm) spout
- Vandal-resistant aerator
- Concealed self-closing valves
- Intended for Taunton™ lavatory installations
- Drain with non-removable stopper
- Indexed push buttons
- NPT connections

**Codes/Standards Applicable**

Specified model meets or exceeds the following:

- ASME A112.18.1/CSA B125.1
- Energy Policy Act of 1992

**SHELF-BACK LAVATORY FAUCET  
K-7485**



**Colors/Finishes**

- CP: Polished Chrome

**Specified Model**

| Model  | Description  | Colors/Finishes             |
|--|--|-----------------------------|
| K-7485   | Shelf-back lavatory faucet for 1" (2.5 cm) wall thickness  | <input type="checkbox"/> CP |
| K-7485-J   | Shelf-back lavatory faucet for 3" (7.6 cm) wall thickness  | <input type="checkbox"/> CP |
| K-7485-C   | Shelf-back lavatory faucet for 5" (12.7 cm) wall thickness | <input type="checkbox"/> CP |
| K-7485-E   | Shelf-back lavatory faucet for 8" (20.3 cm) wall thickness | <input type="checkbox"/> CP |
| NOTE: For wall thicknesses greater than 12" (30.5 cm), contact your Kohler Branch Office for availability. |  |                             |

**Product Specification**

Shelf-back vandal-resistant lavatory faucet shall be of brass construction. Product shall be vandal-resistant and feature concealed self-closing valves. Product is intended for Taunton lavatory installations. Product shall include 5-1/2" (14 cm) centers, 1-1/4" (3.2 cm) spout, drain with non-removable stopper, indexed push buttons, and NPT connections. Faucet shall be Kohler Model K-7485-\_\_\_\_\_-CP.

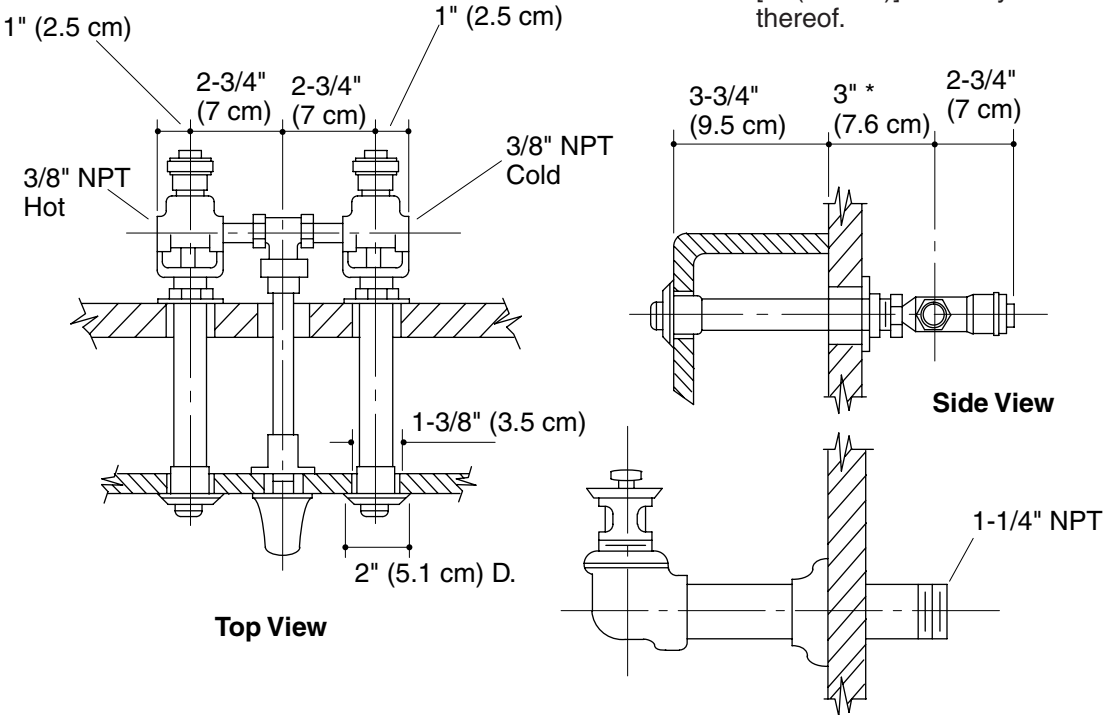


| Optional Accessories |   |                             |
|----------------------|---|-----------------------------|
| 1160594              | Large Spray 0.35 gpm (1.32 lpm) – Insert only                   | <input type="checkbox"/> NA |
| _____                | Additional flow options are available (refer to the Price Book) | <input type="checkbox"/> NA |

### Installation Notes

Install this product according to the installation guide.

\* Supply fitting required furnished for wall not to exceed 1" (2.5 cm) thick. for thicker wall add 1" (2.5 cm) to supply measurement [3" (7.6 cm)] for every inch or fraction thereof.



Product Diagram