

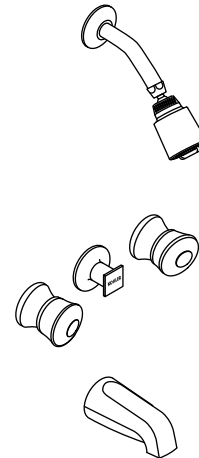
**BATH & SHOWER TRIM SET
K-T15231**

Features

- Metal construction
- 4-7/8" (124 mm) diverter spout with NPT or slip-fit connection
- Reversible 1/2" quarter-turn washerless ceramic disc valves
- Lever or acrylic handles
- Includes showerhead, arm, and flange

Codes/Standards Applicable

- Specified model meets or exceeds the following:
- ASME A112.18.1/CSA B125.1





Colors/Finishes

- CP: Polished Chrome
- PB: Vibrant® Polished Brass

Accessories

- CP: Polished Chrome
- Other: Refer to Price Book for additional colors/finishes
- NA: None applicable

Specified Model

Model	Description				
K-T15231-4	Bath & shower trim set with lever handles and NPT non-diverter spout	<input type="checkbox"/> CP	<input type="checkbox"/> PB		
K-T15231-4S	Bath & shower trim set with lever handles and slip-fit non-diverter spout	<input type="checkbox"/> CP			
K-T15231-7	Bath & shower trim set with acrylic handles and NPT non-diverter spout			<input type="checkbox"/> CP	<input type="checkbox"/> PB
K-T15231-7S	Bath & shower trim set with acrylic handles and slip-fit non-diverter spout			<input type="checkbox"/> CP	

Product Specification

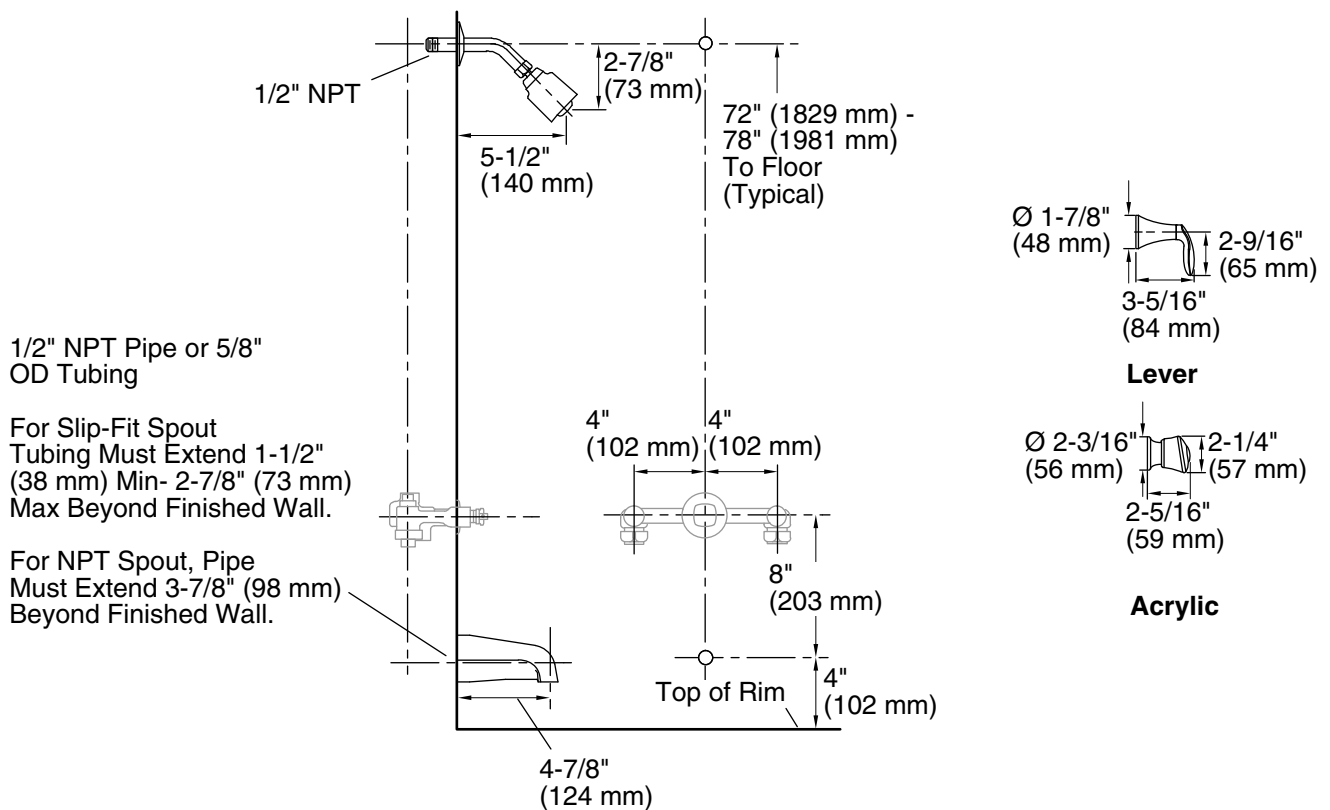
Three-handle bath & shower trim set shall be of metal construction. Trim shall feature reversible 1/2" quarter-turn washerless ceramic disc valves. Product shall include showerhead with arm and flange, 4-7/8" (124 mm) non-diverter spout with NPT or slip-fit connection, integral diverter mechanism, and lever or acrylic handles. Faucet shall be Kohler Model K-T15231-_____-_____- and valve system shall be Kohler Model K-303-K-NA.

CORALAIS®

Required Accessories			
K-303-K	3-handle 1/2" ceramic disc valve system	<input type="checkbox"/> NA	
Optional Accessories			
56373	Deep roughing-in kit for wall-mount and shower faucets. For all handles except bath and shower faucets with stops	<input type="checkbox"/> CP	<input type="checkbox"/> Other ____
56374	Elongated escutcheons for bath and shower faucets with stops	<input type="checkbox"/> CP	<input type="checkbox"/> Other ____
42020	Diverter	<input type="checkbox"/> CP	<input type="checkbox"/> Other ____

Installation Notes

Install this product according to the installation guide.



Product Diagram