

**SHOWER TRIM SET  
K-T15611**

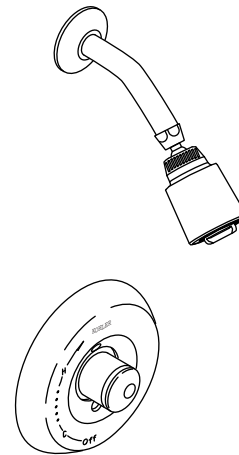
**Features**

- Metal construction
- Includes showerhead with arm and flange, faceplate, and acrylic handle

**Codes/Standards Applicable**

Specified model meets or exceeds the following:

- ASME A112.18.1/CSA B125.1



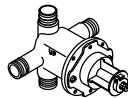
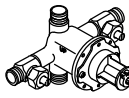
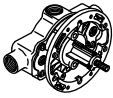
**Colors/Finishes**

- CP: Polished Chrome
- PB: Vibrant® Polished Brass
- Other: Refer to Price Book for additional colors/finishes

**Accessories:**

- NA: None applicable

**Specified Model**

Model	Description	Colors/Finishes		
K-T15611-7	Shower trim set with acrylic handle	<input type="checkbox"/> CP	<input type="checkbox"/> PB	<input type="checkbox"/> Other _____
<b>Required Accessories</b>				
K-304-K	Rite-Temp® valve without stops <b>OR</b>	<input type="checkbox"/> NA		
K-304-KS	Rite-Temp® valve with stops <b>OR</b>		<input type="checkbox"/> NA	
K-306-KS	HiFlow Rite-Temp® valve with integral stops <b>OR</b>			<input type="checkbox"/> NA
K-308-K	Non-pressure balancing valve without stops <b>OR</b>	<input type="checkbox"/> NA		
K-308-KS	Non-pressure balancing valve with stops		<input type="checkbox"/> NA	
<b>Recommended Accessories</b>				
88526	HiFlow Rite-Temp® thin wall installation kit	<input type="checkbox"/> CP	<input type="checkbox"/> PB	

**Product Specification**

Single-handle shower trim set shall be of metal construction. Product shall include showerhead with arm and flange, and faceplate with acrylic handle. Faucet trim shall be Kohler Model K-T15611-7-\_\_\_\_\_ and mixing valve shall be Kohler Model K-\_\_\_\_\_-\_\_\_\_\_-NA.

# CORALAIS®

## Installation Notes



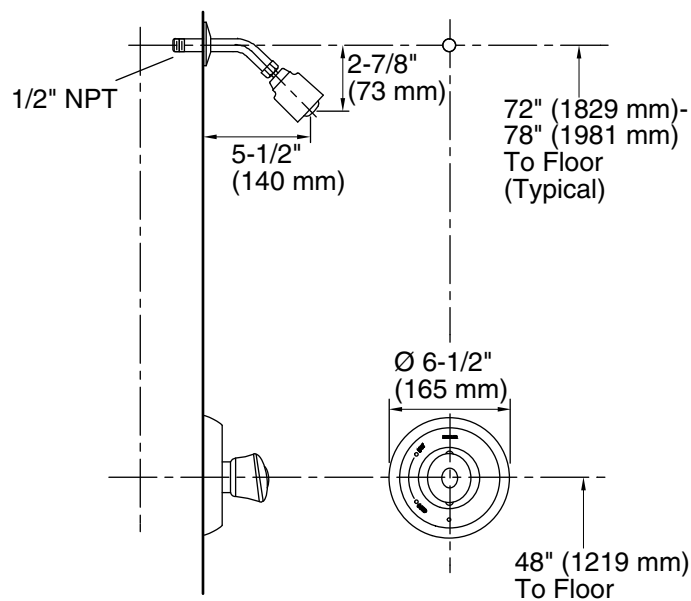
**WARNING: Risk of damage to the K-306-KS valve assembly.** When using the K-306-KS valve in a fiberglass or acrylic installation, use the thin wall installation kit (88526).

Install this product according to the installation guide.

Avoid cross-flow conditions. Do not install shut-off device on either valve outlet.

Cap shower outlet if deck-mount spout, diverter, or handshower is connected to spout outlet.

Install straight pipe or tube drop of 7" (178 mm) to 18" (457 mm) with single elbow between valve and wall-mount spout.



**Product Diagram**