

Features

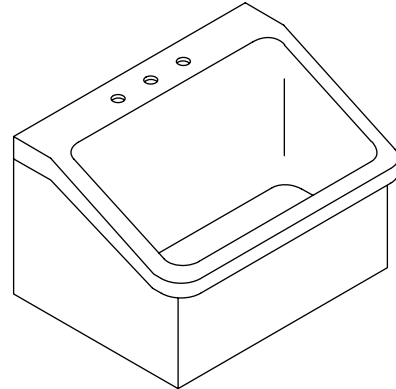
- Single compartment
- Vitreous china
- Single-center hole (K-12793) or three-hole faucet (K-12794) drilled back ledge
- 28" (71.1 cm) x 22" (55.9 cm)

UTILITY SINK
K-12793
 ALSO K-12794

Codes/Standards Applicable

Specified model meets or exceeds the following:

- ASME A112.19.2/CSA B45.1



Colors/Finishes

- 0: White

Accessories

- CP: Polished Chrome
- NA: None applicable

Specified Model

Model	Description	Colors/Finishes
K-12793	Single-center hole sink	<input type="checkbox"/> 0
K-12794	Three-hole faucet drilling sink	<input type="checkbox"/> 0
Recommended Accessories		
K-1814-P	Wall brackets	<input type="checkbox"/> NA
Optional Accessories		
K-9000	P-trap	<input type="checkbox"/> CP
K-9115	Sink strainer with 1-1/2" (3.8 cm) tailpiece	<input type="checkbox"/> CP

Product Specification

The utility sink shall be 28" (71.1 cm) in length, and 22" (55.9 cm) in width. The sink shall be made of vitreous china. The sink shall be single compartment. The sink shall be single-center hole (K-12793) or three-hole faucet drilling (K-12794). The sink shall be Kohler Model K-_____-_____.

HOLLISTER™

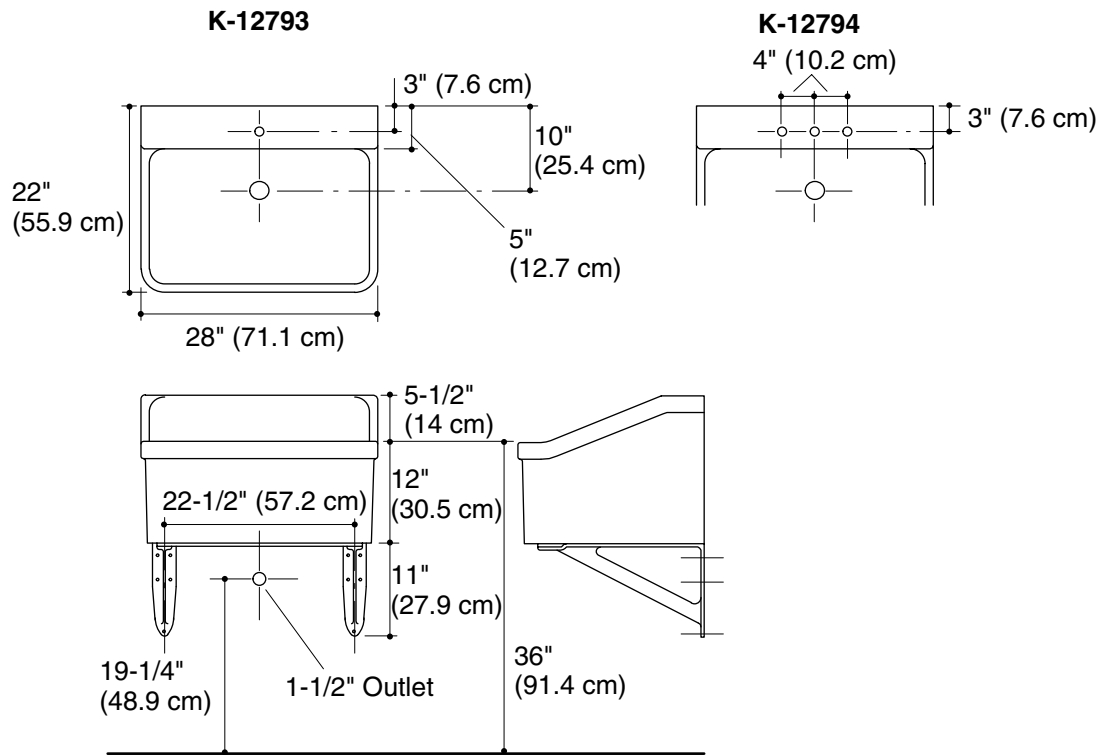
Technical Information

Fixture*:	
Sink	
Basin area	26" (66 cm) x 16" (40.6 cm)
Water depth	11-1/8" (28.3 cm)
Outlet	2-1/4" (5.7 cm) D.
* Approximate measurements for comparison only.	

Holes	K-12793	K-12794
Spout	1-1/8" (2.9 cm)	1-1/8" (2.9 cm)
Faucet		1-3/8" (3.5 cm)

Installation Notes

Install this product according to the installation guide.



Product Diagram