

**SHOWER TRIM SET  
K-T13134  
ALSO K-T13135**

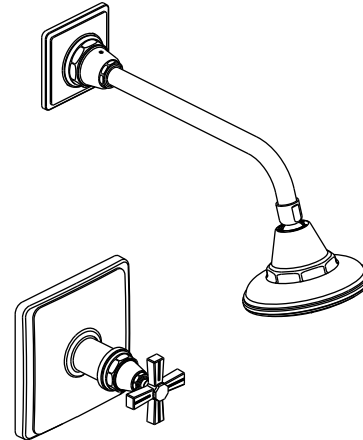
**Features**

- Metal construction
- Available with cross or lever handles
- For use with non-diverter valve
- Complements Pinstripe<sup>®</sup> Suite

**Codes/Standards Applicable**

Specified model meets or exceeds the following:

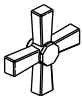
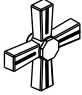


- ASME A112.18.1/CSA B125.1



**Colors/Finishes**

- CP: Polished Chrome
- Other: Refer to Price Book for additional colors/finishes
- NA: None applicable

**Specified Model**

Model	Description		Colors/Finishes	
K-T13134-3A	Shower trim set - plain cross handles		<input type="checkbox"/> CP	<input type="checkbox"/> Other ____
K-T13135-3A	Valve only trim set - plain cross handles		<input type="checkbox"/> CP	<input type="checkbox"/> Other ____
K-T13134-3B	Shower trim set - grooved cross handles		<input type="checkbox"/> CP	<input type="checkbox"/> Other ____
K-T13135-3B	Valve only trim set - grooved cross handles		<input type="checkbox"/> CP	<input type="checkbox"/> Other ____
K-T13134-4A	Shower trim set - plain lever handles		<input type="checkbox"/> CP	<input type="checkbox"/> Other ____
K-T13135-4A	Valve only trim set - plain lever handles		<input type="checkbox"/> CP	<input type="checkbox"/> Other ____
K-T13134-4B	Shower trim set - grooved lever handles		<input type="checkbox"/> CP	<input type="checkbox"/> Other ____
K-T13135-4B	Valve only trim set - grooved lever handles		<input type="checkbox"/> CP	<input type="checkbox"/> Other ____

Required Accessories		
K-304-*	Rite-Temp <sup>®</sup> valve <b>OR (cont.)</b>	<input type="checkbox"/> NA

**Product Specification**

The shower trim set shall be of metal construction. Trim shall be available with cross or lever handles. Trim is for use with a non-diverter valve. Trim shall complement the Pinstripe Suite. Shower trim set shall be K-T\_\_\_\_\_-\_\_\_\_\_-\_\_\_\_\_- and Rite-Temp pressure-balancing valve shall be K-\_\_\_\_\_-\_\_\_\_\_-NA.

# PINSTRIBE®

## (cont.) Required Accessories

K-2971-KS	HiFlow Rite-Temp® valve with stops	<input type="checkbox"/> NA
-----------	------------------------------------	-----------------------------

\* For a complete listing of all the Rite-Temp valves, refer to the KOHLER Price Book or K-304 Specification Sheet.

## Optional Accessories

1061794	Deep rough-in kit	<input type="checkbox"/> NA
---------	-------------------	-----------------------------

88526	HiFlow Rite-Temp thin wall installation kit	<input type="checkbox"/> CP	<input type="checkbox"/> Other _____
-------	---	-----------------------------	--------------------------------------

## Installation Notes

Install this product according to the installation guide.

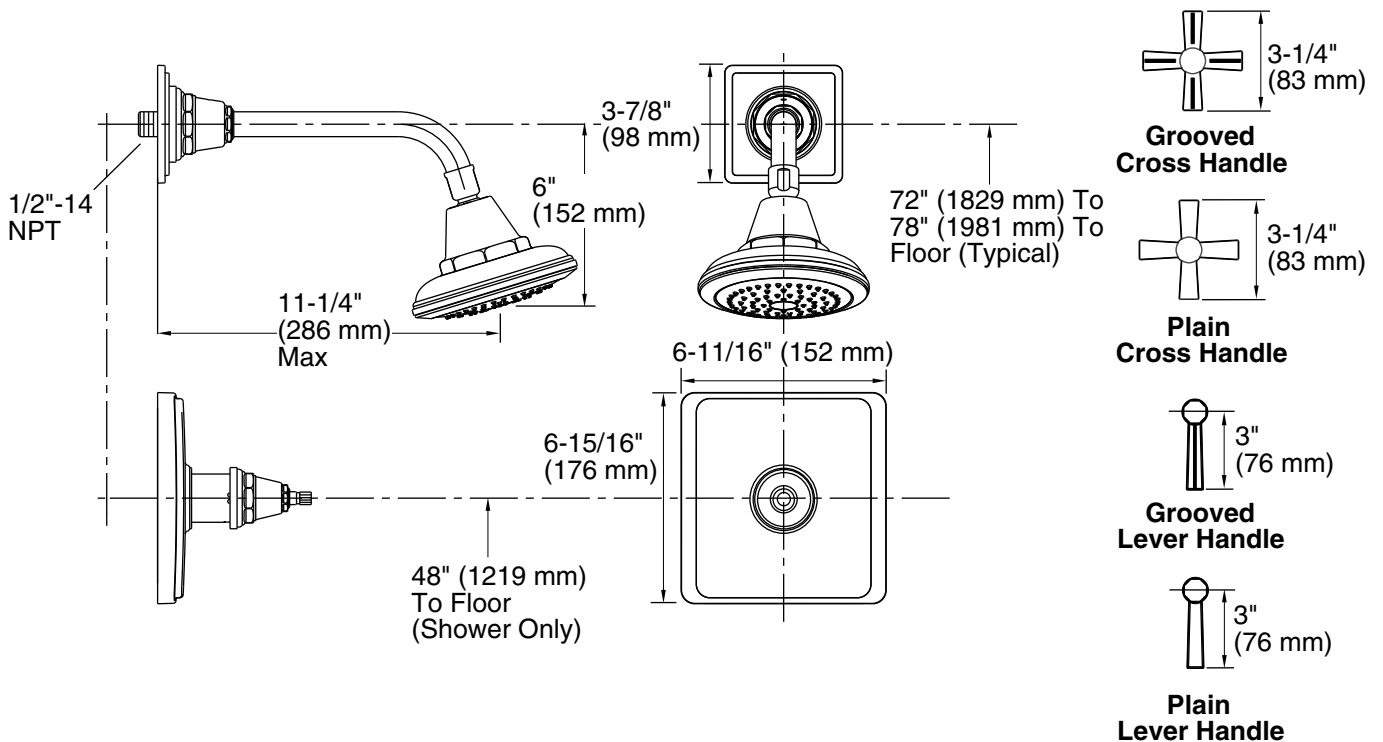
Avoid cross-flow conditions. Do not install shut-off device on either valve outlet.

Cap shower outlet if deck-mount spout, diverter, or handshower is connected to spout outlet.

Install straight pipe or tube drop of 7" (178 mm) to 18" (457 mm) with single elbow between valve and wall-mount spout.

### For K-2971-KS valve installations:

**IMPORTANT! Risk of product damage.** Consult the trim installation guide to verify if the thin wall installation kit (88526) is needed. Long screws can damage the K-2971-KS valve.



## Product Diagram