

Features

- Brass construction.
- Complements Loure Suite.
- Requires a Rite-Temp® valve.

Required Accessories

- K-304-K Pressure-Balancing Valve Less Stops
- or
- K-304-CX Pressure-Balancing Valve Less Stops
- or
- K-304-PX Pressure-Balancing Valve Less Stops
- or
- K-304-UX Pressure-Balancing Valve Less Stops
- or
- K-304-KS Pressure-Balancing Valve With Stops
- or
- K-304-CS Pressure-Balancing Valve With Stops
- or
- K-304-PS Pressure-Balancing Valve With Stops
- or
- K-304-US Pressure-Balancing Valve With Stops



For complete listing of available colors, go to kohler.com.

Codes/Standards

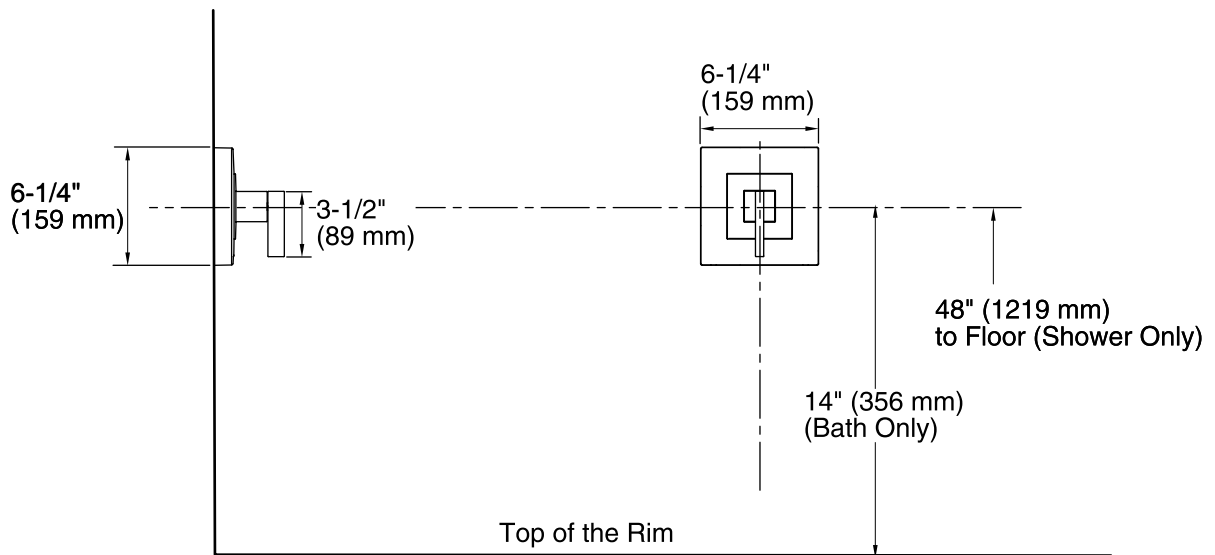
ASME A112.18.1/CSA B125.1
ASSE 1016

KOHLER® Faucet Lifetime Limited Warranty

See website for detailed warranty information.

Product Specification

Valve trim shall be made of brass construction.
Valve trim shall be Kohler Model K-T14671-4.



Technical Information

All measurements are nominal.

Pressure: 45 psi (3.1 bar)

Installation Notes

Install this product according to the installation guide.

Cap the shower outlet if the deck-mounted spout, diverter, or handshower is connected to the spout outlet.

Install straight pipe or tube drop of 7" (178 mm) to 18" (457 mm) with single elbow between the valve and the wall-mount spout. Elbow must be a 90 degree drop ell that is secured to rigid framing.