

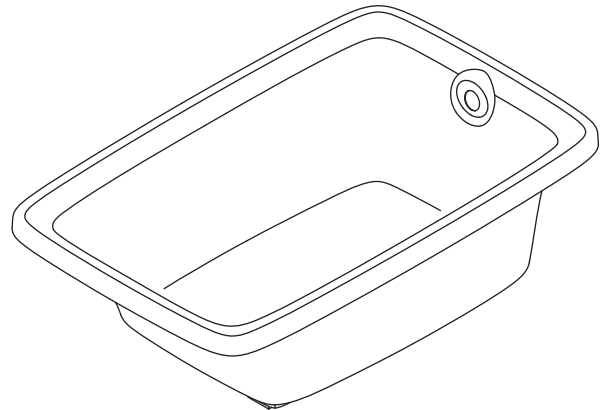
#### Features

- Acrylic
- Molded lumbar supports
- 95 gallon (359.6 L) capacity
- 66" (1676 mm) x 42" (1067 mm) x 22" (559 mm)

#### Codes/Standards Applicable

Specified model meets or exceeds the following:

- CSA B45.5/IAPMO Z124
- ASTM E162
- ASTM E662



#### Colors/Finishes

- 0: White
- Other: Refer to Price Book for additional colors/finishes

#### Accessories

- CP: Polished Chrome
- Other: Refer to Price Book for additional colors/finishes

#### Specified Model

Model	Description	Colors/Finishes	
K-1156	Bath – drop-in	<input type="checkbox"/> 0	<input type="checkbox"/> Other_____
<b>Recommended Accessories</b>			
K-7161-AF	Bath drain	<input type="checkbox"/> CP	<input type="checkbox"/> Other_____

#### Product Specification

The acrylic drop-in bath shall be 66" (1676 mm) in length, 42" (1067 mm) in width, and 22" (559 mm) in height. Bath shall have a capacity of 95 gallons (359.6 L). Bath shall have lumbar support. Bath shall be Kohler Model K-1156-\_\_\_\_\_.

# BANCROFT™

## Technical Information

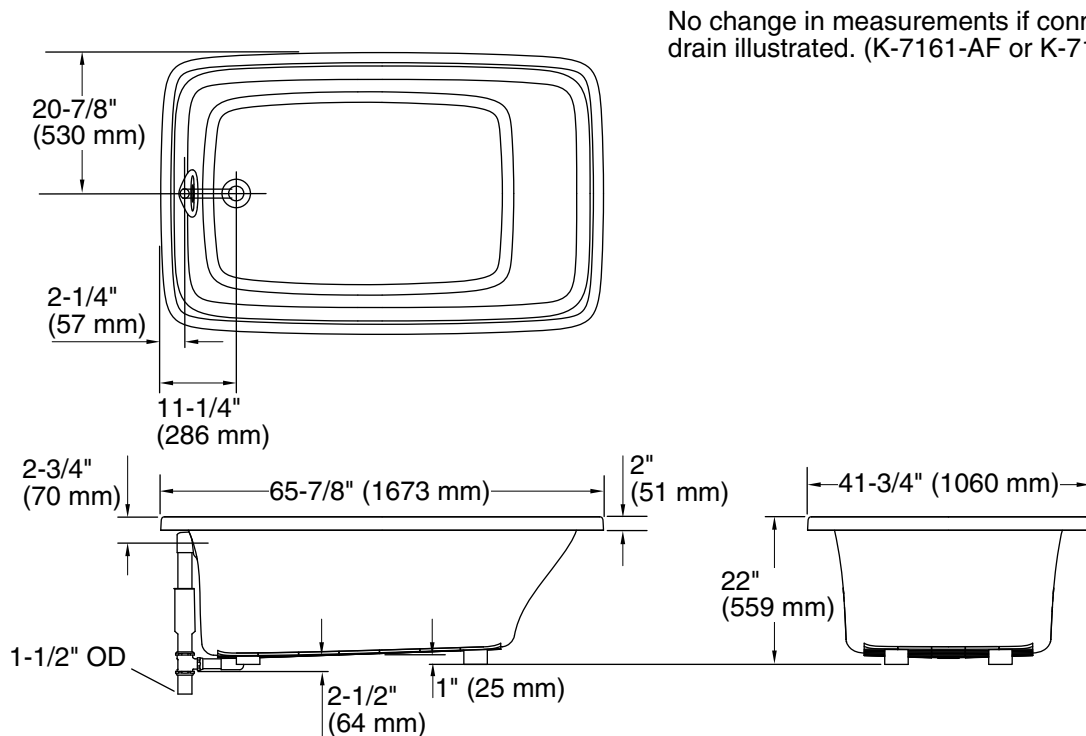
Fixture*:	
Bathing well:	
Basin area, bottom	46" (1168 mm) x 30" (762 mm)
Basin area, top	57" (1448 mm) x 34" (864 mm)
Weight	80 lbs (36.3 kg)
To overflow:	
Water depth	16" (406 mm)
Capacity	95 gal (359.6 L)
* Approximate measurements for comparison only.	

## Installation Notes

Install this product according to the installation guide.

Floor support under bath must provide for a minimum of 47 lbs/square foot (230 kg/square meter).

This bath is designed for drop-in installation only. It is not suited for use in a three-wall alcove with an overhead shower.



## Product Diagram