

Product Information

Applicable product:	
Bath, drop-in (shown)	K-1159
Bath, tile flange, left drain	K-1159-L
Bath, tile flange, right drain	K-1159-R
Fixture*:	
Bathing well:	
Basin area, bottom	55" (1397 mm) x 21" (533 mm)
Basin area, top	65" (1651 mm) x 26" (660 mm)
To overflow:	
Water depth	15" (381 mm)
Capacity	72 gal (272.5 L)
Weight	52 lbs (23.6 kg)
Drop-in cutout	70-1/2" (1791 mm) x 34-1/2" (876 mm)
* Approximate measurements for comparison only.	
Recommended accessories:	
Cable drain with PVC tubing	K-7213
Cable drain without PVC tubing	K-7214
Trip lever drain	K-11677

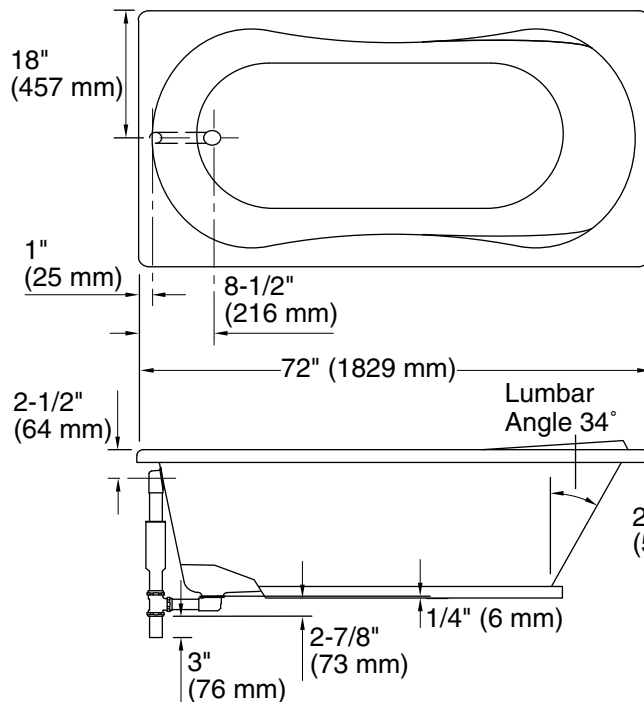
Installation Notes

Install this product according to the installation guide.

Floor support under bath must provide for a minimum of 38 lbs/square foot (184 kg/square meter) loading.

The apron must be installed before the finished floor and wall materials are installed.

Fixture conforms to CSA B45.5/IAPMO Z124. All dimensions are nominal.



No change in measurements if connected with drain illustrated. (K-11677)

