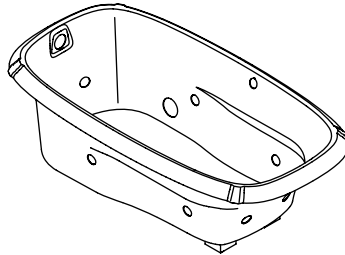


# Homeowners Guide

## Bath Whirlpool

K-1014-H2, K-1014-HA



**Write model number here:**

**Écouter le numéro du modèle ici:**

**Escriba el número del modelo aquí:** \_\_\_\_\_

**M** product numbers are for Mexico (i.e. K-12345**M**)

Los números de productos seguidos de **M** corresponden a México

(Ej. K-12345**M**)

Français, page "Français-1"

Español, página "Español-1"

THE BOLD LOOK  
OF **KOHLER**®

1033681-5-C

# Important Information

## INSTRUCTIONS PERTAINING TO A RISK OF FIRE, ELECTRICAL SHOCK, OR INJURY TO PERSONS

### READ AND FOLLOW ALL INSTRUCTIONS

### SAVE THESE INSTRUCTIONS



**WARNING:** When using electrical products, basic precautions should always be followed, including the following:



**DANGER: Risk of personal injury.** To reduce the risk of injury, do not permit children to use this unit unless they are closely supervised at all times.



**WARNING: Risk of personal injury.** To avoid injury, exercise care when entering or exiting the whirlpool.



**WARNING: Risk of electric shock.** Do not permit electric appliances (such as a hair dryer, lamp, telephone, radio, or television) within 5' (1.5 m) of this whirlpool.



**WARNING: The use of alcohol, drugs, or medication can greatly increase the risk of fatal hyperthermia.** Prolonged immersion in hot water may induce hyperthermia. Hyperthermia occurs when the internal temperature of the body reaches a level several degrees above the normal body temperature of 98.6°F (37°C). The symptoms of hyperthermia include an increase in the internal temperature of the body, dizziness, lethargy, drowsiness, and fainting. The effects of hyperthermia include: (a) failure to perceive heat, (b) failure to recognize the need to exit the bath, (c) unawareness of impending hazard, (d) fetal damage in pregnant women, (e) physical inability to exit the bath, and (f) unconsciousness resulting in the danger of drowning.



**WARNING: Risk of hyperthermia.** People using medications and/or having an adverse medical history should consult a physician before using a whirlpool equipped with a heater.



**WARNING: Risk of scalding.** Do not allow the water temperature in the whirlpool to exceed 104°F (40°C).

The heater will automatically maintain the water temperature when the whirlpool is running, as long as the water temperature does not exceed 104°F (40°C). The heater will disengage at higher temperatures.

An equipment grounding terminal is provided in the field wiring compartment. To reduce the risk of electric shock, this terminal must be connected to the grounding means provided in the electric supply panel with a conductor equivalent in size to the circuit conductors supplying this whirlpool.

A pressure wire connector is provided on the exterior of the pump or control within this unit to permit connection of a bonding conductor between this unit and all other exposed metal in the vicinity, as needed to comply with local requirements.

Use this whirlpool only for its intended purpose as described in this guide. Do not use attachments not recommended by the manufacturer.

Never drop or insert any object into any opening. Keep small objects such as bath toys and bathing accessories out of the whirlpool while the unit is running.

Do not operate this unit without the guard (cover) over the suction fitting.

The whirlpool must be connected only to a supply circuit that is protected by a Ground-Fault Circuit-Interrupter (GFCI) or Residual Current Device (RCD). Such a GFCI or RCD should be provided by the installer and should be tested on a routine basis. To test the GFCI or RCD, press the test button. The GFCI or RCD should interrupt power. Press the reset button. Power should be restored. If the GFCI or RCD fails to operate in this manner, the GFCI or RCD is defective. If the GFCI or RCD interrupts power to the bath without the test button being pressed, a ground current is flowing, indicating the possibility of an

### Important Information (cont.)

electric shock. Do not use this whirlpool bath. Disconnect the whirlpool and have the problem corrected by a qualified service representative before using.

Flush your whirlpool system twice a month or more depending upon usage, as described in the "Flush System" section of this guide.

Repeated use of personal care products containing oils can damage plastic whirlpool components. Do not use heavy, vegetable-based shampoos or bath oils.

Whirlpool hydro-massage action can cause even a small amount of bubble bath, bath soap, shampoo, or bath oil to foam excessively. For this reason, please don't use these products during whirlpool operation.

## Thank You For Choosing Kohler Company

Thank you for choosing Kohler Company. Your Kohler Company product reflects the true passion for design, craftsmanship, artistry, and innovation Kohler Company stands for. We are confident its dependability and beauty will surpass your highest expectations, satisfying you for years to come.

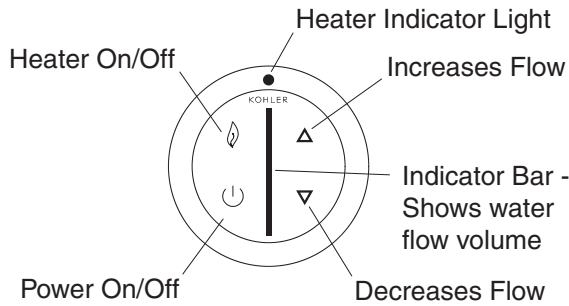
All information in this guide is based upon the latest product information available at the time of publication. At Kohler Company, we strive to fulfill our mission of improving the level of gracious living for each person who is touched by our products and services. We reserve the right to make changes in product characteristics, packaging, or availability at any time without notice.

Please take a few minutes to review this guide. Pay special attention to the care and cleaning instructions.

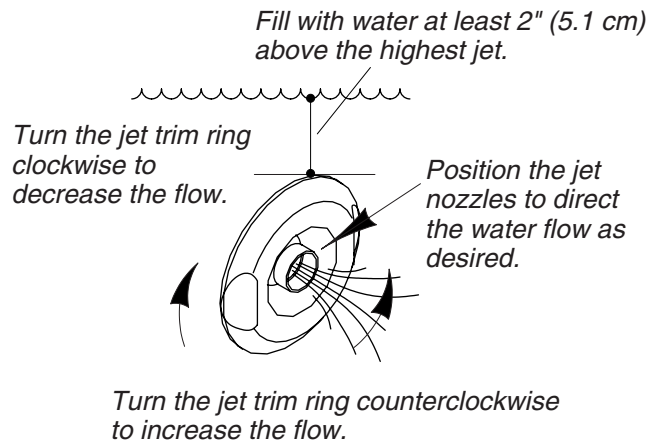
## Components

Your new whirlpool is designed to stimulate, invigorate, and energize your body with comforting hydro-massage therapy. The whirlpool consists of the following components:

- **Bath** - Acts as a reservoir for water, and provides a location for the hydro-massage action.
- **User Keypad** - Located within easy reach, the user keypad allows you to turn the pump and heater on and off and regulate the water flow through the jets.
- **Pump Motor** - Provides quiet, variable speed power to circulate the water and create the soothing hydro-massage action.
- **Adjustable Jets** - Positioned to optimize their hydro-massage effect, the jets allow you to adjust the air and water flow and control the flow direction as you desire.
- **Heater** - Designed to automatically help maintain the temperature of the water up to 104°F (40°C) to enhance your hydro-massage experience. The heater turns on automatically when the whirlpool is operating, and turns off when the pump motor is turned off. The heater may be turned off through the keypad, at any time while the pump is operating.



**Lighted User Keypad**



## Operation

### User Keypad

<b>Power</b>	Turns the whirlpool pump on and off.
<b>Up Arrow</b>	Increases the water flow.
<b>Down Arrow</b>	Decreases the water flow.
<b>Heater</b>	Automatically engages when the whirlpool pump is powered on. Press the heater button once to turn the heater off. Press the button a second time to turn the heater back on.
<b>Indicator Bar</b>	Displays the water flow volume.

### Whirlpool

- Turn the jet trim fully counterclockwise. Position the jet nozzles so they face down toward the basin.

**NOTICE:** Do not allow the water temperature in the whirlpool to exceed 104°F (40°C). The heater will automatically maintain the water temperature when the whirlpool is running, as long as the water temperature does not exceed 104°F (40°C). The heater will disengage at higher temperatures.

- Close the drain, then fill the whirlpool to a level at least 2" (5.1 cm) above the highest jet. Using your hand, test the water temperature for comfort and safety. Carefully enter the bath.
- Press the power icon to turn on the whirlpool pump and heater. Water will flow at medium volume.
- Press the up or down arrow icons to increase or decrease the water flow. The indicator bar will display the water flow volume.
- Adjust the jets for optimum air/water mixture. Turn the jet trim clockwise to reduce the flow or counterclockwise to increase the flow. If desired, position the jet nozzles to direct the water flow to maximize your hydro-massage experience.
- If desired, turn the heater off by pressing the heater icon. Press the button a second time to turn the heater back on.
- Press the power icon a second time to turn off the whirlpool pump and heater.

**NOTE:** The pump and heater will automatically stop after approximately 20 minutes of continuous operation. If desired, press the power icon to reactivate the pump and heater.

- Carefully exit the bath, then open the drain to empty the whirlpool.

**NOTE:** If the whirlpool is not operating properly, consult the "Troubleshooting" section of this guide before calling a qualified service representative.

## Care and Cleaning

For best results, keep the following in mind when caring for your KOHLER product:

- Always test your cleaning solution on an inconspicuous area before applying to the entire surface.
- Wipe surfaces clean and rinse completely with water immediately after applying cleaner. Rinse and dry any overspray that lands on nearby surfaces.
- Do not allow cleaners to soak on surfaces.
- Use a soft, dampened sponge or cloth. Never use an abrasive material such as a brush or scouring pad to clean surfaces.

For detailed cleaning information and products to consider, visit [www.kohler.com/clean](http://www.kohler.com/clean). To order Care & Cleaning information, call 1-800-456-4537.

## Flush System

**NOTE:** Flush your whirlpool system twice a month or more, depending upon usage.

- Turn the jet trim rings fully clockwise to remove air induction.
- Fill the whirlpool with warm water to a level at least 2" (5.1 cm) above the highest jets, or leave water in the whirlpool after using.
- Add 2 teaspoons (10 ml) of a low-foaming, powder automatic dishwasher detergent and 20 ounces (590 ml) of household bleach (5% - 6% sodium hypochlorite) to the water.
- Run the whirlpool for 5 to 10 minutes. Turn off the whirlpool and drain.
- If desired, rinse the bath surfaces with water.
- Rinse the surfaces of the jets, faucet, handrails, and drain, and wipe them dry with a soft cloth.

## One-Year Limited Warranty

### ONE-YEAR LIMITED WARRANTY

KOHLER plumbing products are warranted to be free of defects in material and workmanship for one year from date of installation.

Kohler Co. will, at its election, repair, replace or make appropriate adjustment where Kohler Co. inspection discloses any such defects occurring in normal usage within one (1) year after installation. Kohler Co. is not responsible for removal or installation costs. **Use of in-tank toilet cleaners will void the warranty.**

To obtain warranty service contact Kohler Co. either through your Dealer, Plumbing Contractor, Home Center or E-tailer, or by writing Kohler Co., Attn.: Customer Care Center, 444 Highland Drive, Kohler, WI 53044, USA, or by calling 1-800-4KOHLER (1-800-456-4537) from within the USA and Canada, and 001-877-680-1310 from within Mexico.

**IMPLIED WARRANTIES INCLUDING THAT OF MERCHANTABILITY AND FITNESS FOR A PARTICULAR PURPOSE ARE EXPRESSLY LIMITED IN DURATION TO THE DURATION OF THIS WARRANTY. KOHLER CO. AND/OR SELLER DISCLAIM ANY LIABILITY FOR SPECIAL, INCIDENTAL OR CONSEQUENTIAL DAMAGES.** Some states/provinces do not allow limitations on how long an implied warranty lasts, or the exclusion or limitation of special, incidental or consequential damages, so these limitations and exclusions may not apply to you. This warranty gives you specific legal rights. You may also have other rights which vary from state/province to state/province.

**This is Kohler Co.'s exclusive written warranty.**

## One-Year Warranty

KOHLER CO.

It is recommended that at the time of purchase, you verify that all accessories and components are complete in this package.

### **One-Year Warranty (cont.)**

This Kohler product is warranted to be free of defects in material and workmanship for one (1) year from the date of purchase as shown on the invoice or receipt.

1. Kohler Co. will only service its commercialized products through its authorized distributors.
2. To obtain warranty service, please present the invoice and corresponding warranty.
3. Through its authorized distributors, Kohler Co. promises to repair the defective product or provide a new replacement or an equivalent model (in those cases that the model has been discontinued) when the product is beyond repair, without any charge to the consumer.
4. The time of repair will not exceed six (6) weeks commencing on the date the product is received.
5. It is recommended that the consumer save the invoice or receipt as additional protection, as it may substitute the warranty in the case that there is a discrepancy in the validity of the warranty.

#### **EXCEPTIONS AND RESTRICTIONS**

The Warranty will not be valid in the following cases:

1. When the product is not operated in accordance with the instructions concerning use and operation set forth in the owner's manual or installation instructions, and when the recommendations and warnings included are not observed.
2. When the product has been modified or dismantled partially or totally; or has been used in a negligent fashion and as a consequence has suffered damages attributable to the consumer, individual, or hardware not authorized by Kohler Co.
3. This warranty does not cover the damages as a result of disaster such as fire or acts of God, including flooding, earthquake, or electric storms, etc. To obtain a list of distributors in your area where you can exercise your rights under this warranty, please call 001-877-680-1310.

KOHLER CO., KOHLER, WI 53044 U.S.A.

#### **IMPORTER:**

INTERNACIONAL DE CERÁMICA, S.A.B. DE C.V.

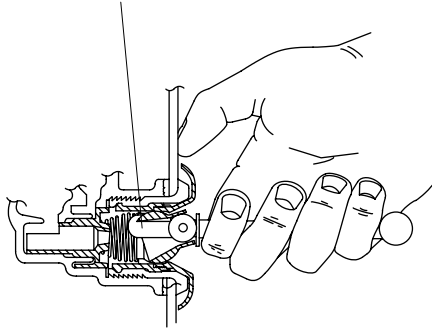
AV. CARLOS PACHECO NO. 7200

CHIHUAHUA, CHIH., MEXICO C.P. 31060

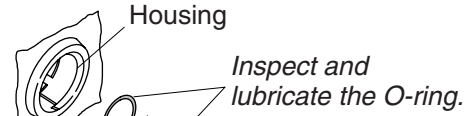
TEL: 52 (14) 29-11-11

### Remove the Jets

Insert the tool hook as shown and pull the jet out of the housing. The jet should be facing up when this is done.



### Reinstall the Jets



Slide the O-ring onto the first shoulder of the jet.

Insert the jet into the housing, and lightly push and rotate until it snaps in position.

## Troubleshooting

**NOTICE:** This section is for general aid only. A Kohler Authorized Service Representative or qualified electrician should correct any electrical problems. For warranty service, contact your dealer or wholesale distributor.

### Remove the Jets

**NOTE:** The jet tool (provided with the whirlpool and trim kit) will allow you to remove the jets from the whirlpool.

- Position the ball nozzle of the jet facing up. This will ensure the jet tool will not slip off.
- With the hook of the jet too facing up, insert the jet tool into the opening of the jet and hook the inside top of the nozzle.
- Grasping the jet tool firmly, place your thumb against the whirlpool wall. Pull steadily on the jet tool until the jet assembly pulls free from the hole. Be careful not to lose the O-ring.

### Reinstall the Jets

**NOTE:** To allow easy rotation and proper operation of the jet, the O-ring must be: (1) correctly positioned, (2) lubricated, and (3) in good condition.

- Install the O-ring onto the **first shoulder** of the jet. Using the silicone lube packet (provided), lubricate the O-ring to prevent noisy operation of the jet.
- Carefully insert the jet into the housing, then lightly push and rotate the jet until it snaps into position. **Do not force the jet.**
- Verify the jet is installed correctly. The jet should turn smoothly both clockwise and counterclockwise. Remove and reinstall, if necessary.

Symptoms	Probable Causes	Recommended Action
1. User keypad does not illuminate when power button is pressed or outer ring is rotated.	<p>A. No power to control.</p> <p>B. GFCI or RCD tripped.</p> <p>C. Wiring harness from user keypad to control is loose, disconnected or damaged.</p> <p>D. User keypad does not work.</p> <p>E. Control does not work.</p>	<p>A. Check wiring and connect power.</p> <p>B. Reset GFCI or RCD.</p> <p>C. Check wiring for proper connections. Replace wiring harness if necessary.</p> <p>D. Replace user keypad.</p> <p>E. Replace control.</p>

<b>Troubleshooting (cont.)</b>		
<b>Symptoms</b>	<b>Probable Causes</b>	<b>Recommended Action</b>
2. Motor starts, but all jets are not functioning.	<p>A. Jet is closed.</p> <p>B. Jet not installed correctly.</p> <p>C. Jets are blocked.</p>	<p>A. Rotate jet trim counterclockwise to open.</p> <p>B. Reinstall jet; check for O-ring damage.</p> <p>C. Remove blockage.</p>
3. User keypad is illuminated, but does not respond to buttons or outer ring.	<p>A. Control program is locked.</p> <p>B. Wiring harness from user keypad to control is loose, disconnected or damaged.</p> <p>C. User keypad does not work.</p> <p>D. Control does not work.</p>	<p>A. Reset GFCI or RCD.</p> <p>B. Check wiring for proper connections. Replace wiring harness if necessary.</p> <p>C. Replace user keypad.</p> <p>D. Replace control.</p>
4. User keypad indicator bar keeps scanning at power-up.	<p>A. Control program is locked.</p> <p>B. Wiring harness from user keypad to control is loose, disconnected or damaged.</p> <p>C. User keypad does not work.</p> <p>D. Control does not work.</p>	<p>A. Reset GFCI or RCD.</p> <p>B. Check wiring for proper connections. Replace wiring harness if necessary.</p> <p>C. Replace user keypad.</p> <p>D. Replace control.</p>
5. User keypad is illuminated, but pump won't start.	<p>A. Power cord from pump to control is loose, disconnected or damaged.</p> <p>B. Pump does not work.</p> <p>C. Control does not work.</p>	<p>A. Check wiring for proper connections.</p> <p>B. Replace pump.</p> <p>C. Replace control.</p>
6. Motor runs but pump won't prime (cavitates).	<p>A. Pump is shimmed too high.</p> <p>B. Small air leak at pump inlet.</p> <p>C. Motor/pump does not work.</p> <p>D. Control does not work.</p>	<p>A. Lower pump/control to subfloor level.</p> <p>B. Securely tighten nut(s) on intake side of pump.</p> <p>C. Replace motor/pump.</p> <p>D. Replace control.</p>
7. Pump stops before 18 minutes.	<p>A. GFCI or RCD tripped.</p> <p>B. Suction is blocked.</p> <p>C. Jets are blocked.</p> <p>D. Motor overheated and protection device activated.</p>	<p>A. Identify source of fault, and correct. Reset GFCI or RCD.</p> <p>B. Remove obstruction.</p> <p>C. Remove blockage.</p> <p>D. Check for blockage at suction and/or jets. Remove blockage and allow motor to cool.</p>
8. Pump does not automatically stop after 22 minutes.	<p>A. 20-minute timer inadvertently disabled.</p>	<p>A. See service manual.</p>
9. Pump won't turn off when the power button on user keypad is pressed.	<p>A. User keypad does not work.</p> <p>B. Control does not work.</p>	<p>A. Replace user keypad.</p> <p>B. Replace control.</p>
10. Pump operates but variable speed feature does not work.	<p>A. Motor/pump does not work.</p> <p>B. Control does not work.</p>	<p>A. Replace motor/pump.</p> <p>B. Replace control.</p>
11. Bath water cools while pump is operating.	<p>A. Water temperature above 104°F (40°C).</p>	<p>A. Allow bath water to cool.</p>



**Troubleshooting (cont.)**

<b>Symptoms</b>	<b>Probable Causes</b>	<b>Recommended Action</b>
	<b>B.</b> Heater is turned off on user keypad. <b>C.</b> Wiring from heater to control is loose, disconnected or damaged. <b>D.</b> Heater does not work. <b>E.</b> Control does not work.	<b>B.</b> Turn heater on. <b>C.</b> Check wiring for proper connections. <b>D.</b> Replace heater. <b>E.</b> Replace control.
12. Noisy operation.	<b>A.</b> Pump banding straps have not been cut. <b>B.</b> Dry or dislodged jet O-ring (squeal).	<b>A.</b> Cut pump banding straps with tin snips. <b>B.</b> Remove jet, replace and lubricate O-ring, and reinstall jet.

**1003065**  
Suction Flange  
Removal Tool



**73518**  
Plug



**93685**  
Housing



**96708**  
Flange



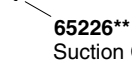
**65886** (Acrylic and FRP)  
**60050** (Cast Iron)  
Gasket



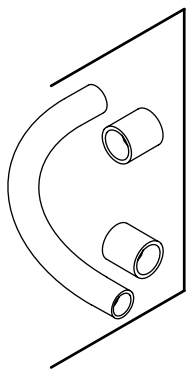
**65054\*\***  
Screw



**96895\*\*** (Colored Finishes)  
**65061\*\*** (Metal Finishes)  
Cover



**65226\*\***  
Suction Cover Plug



**93836** (1/2")  
**93837** (3/4")  
**93838** (1")  
**93839** (1-1/4")  
**94853** (1-1/2")  
Tube (w/Couplings)

**91967**  
Check Valve



**1086350**  
Flange Removal Wrench



**67665**  
Plug



**67429**  
Flange



**67889**  
Jet Housing



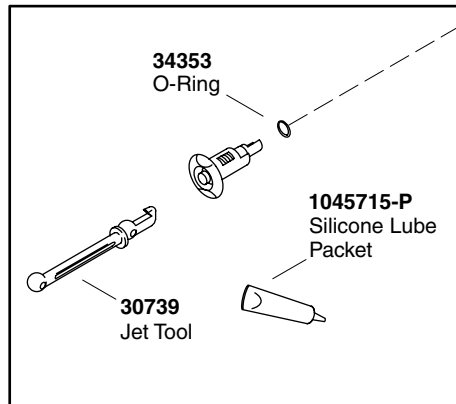
**65885** (Acrylic and FRP)  
**67668** (Cast Iron)  
Gasket

**Single Jet For Whirlpools  
With 5 or Less Jets**

**88532\*\*** (Colored Finishes)  
**88531\*\*** (Metal Finishes)  
Jet

**Single Jet For Whirlpools  
With 6 or More Jets**

**88530\*\*** (Colored Finishes)  
**88529\*\*** (Metal Finishes)  
Jet



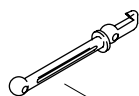
**34353**  
O-Ring



**1045715-P**  
Silicone Lube  
Packet

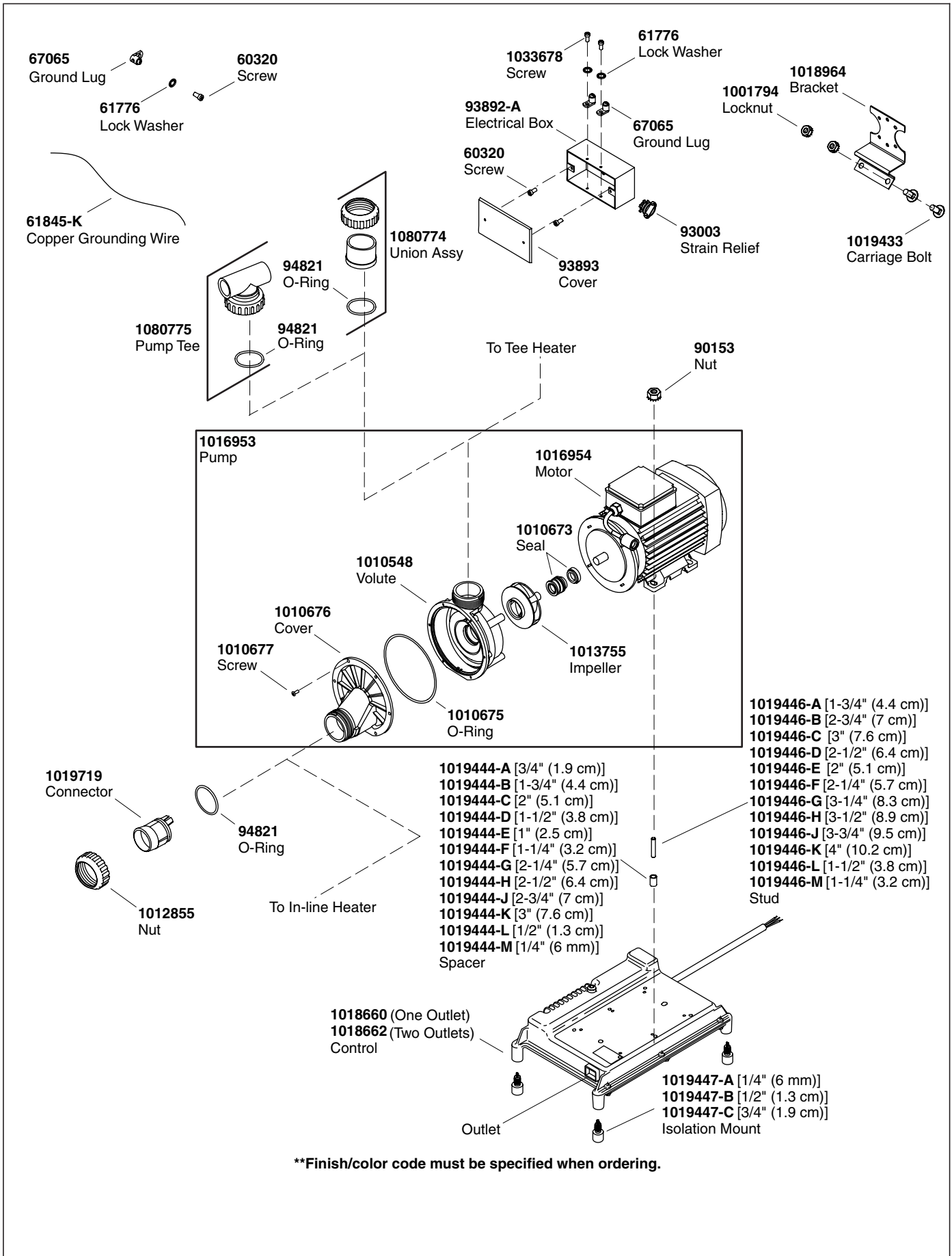


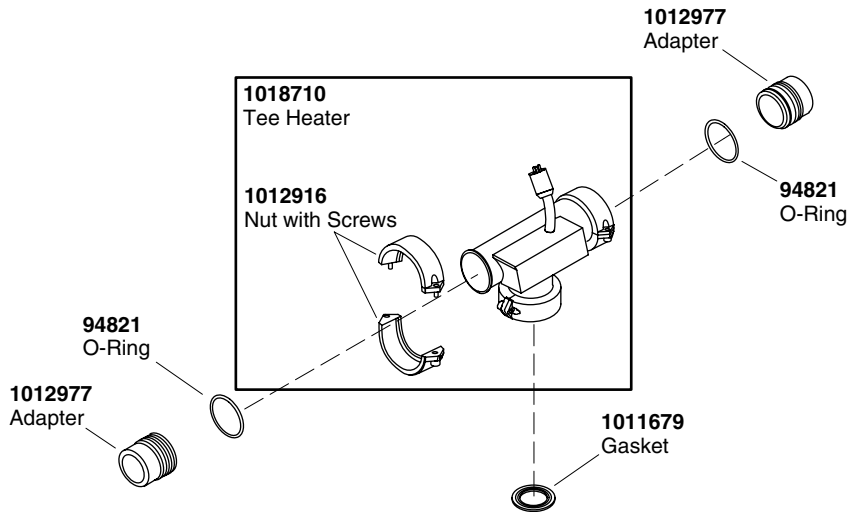
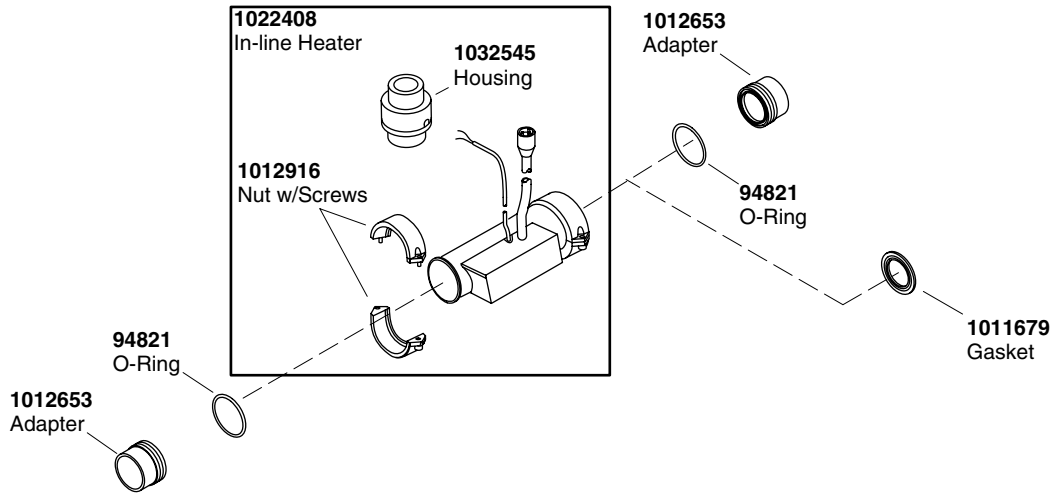
**30739**  
Jet Tool



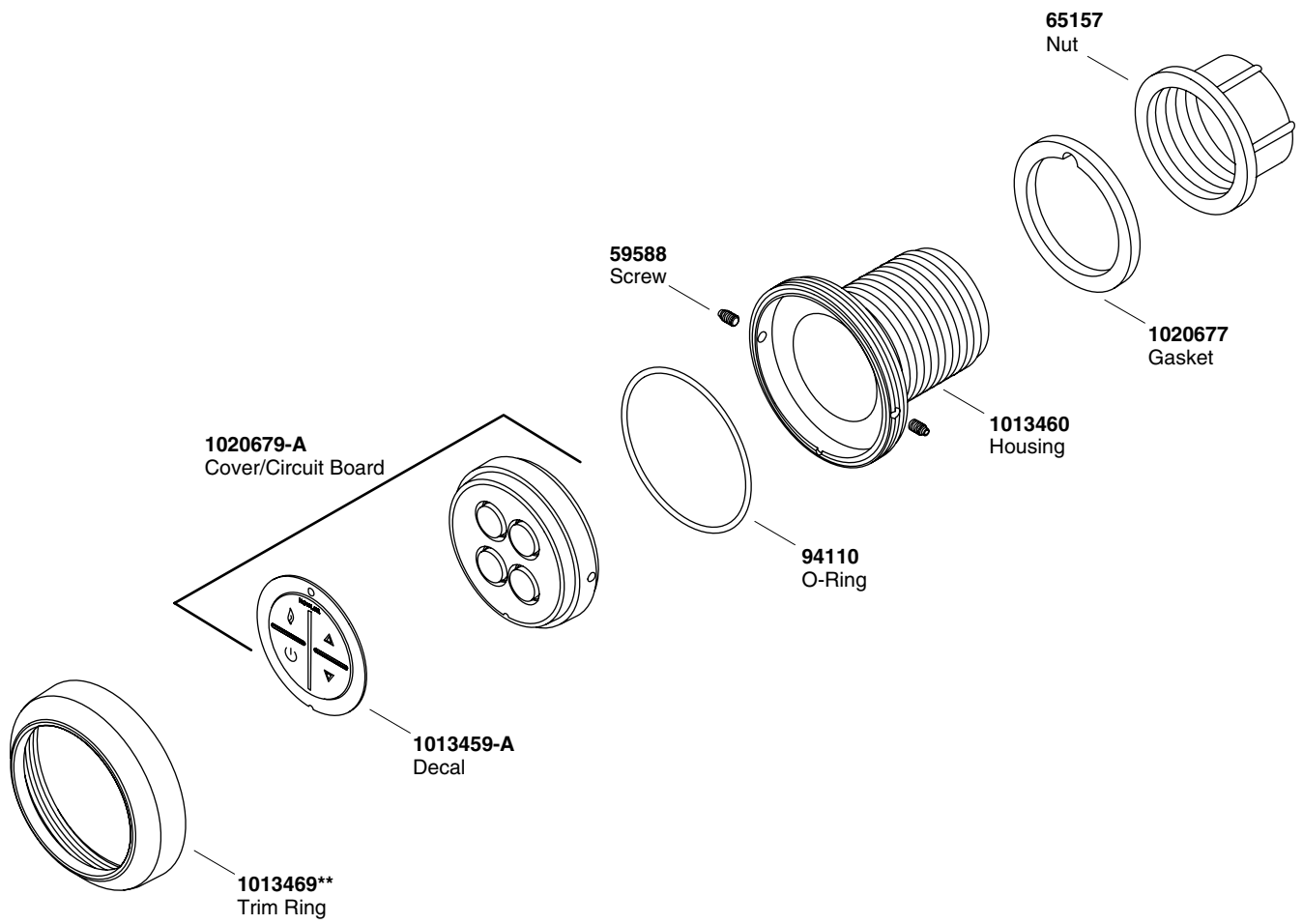
**\*\*Finish/color code must be specified when ordering.**

**Service Parts**

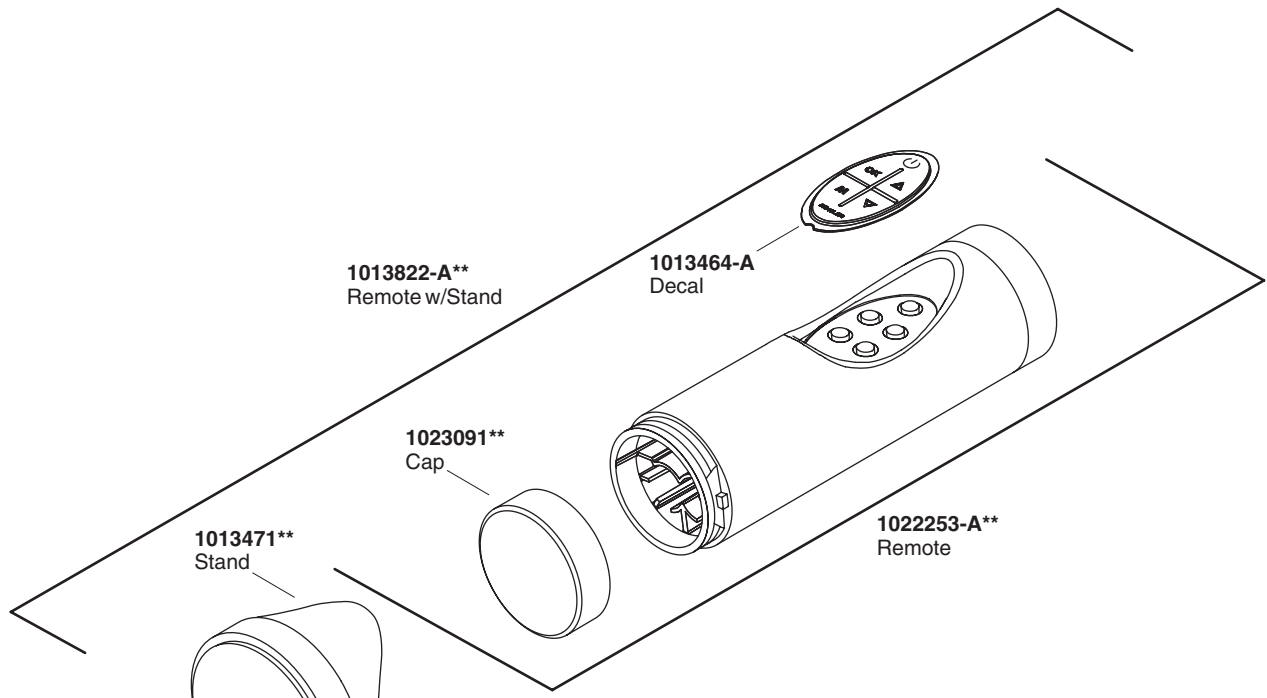




**\*\*Finish/color code must be specified when ordering.**



**\*\*Finish/color code must be specified when ordering.**



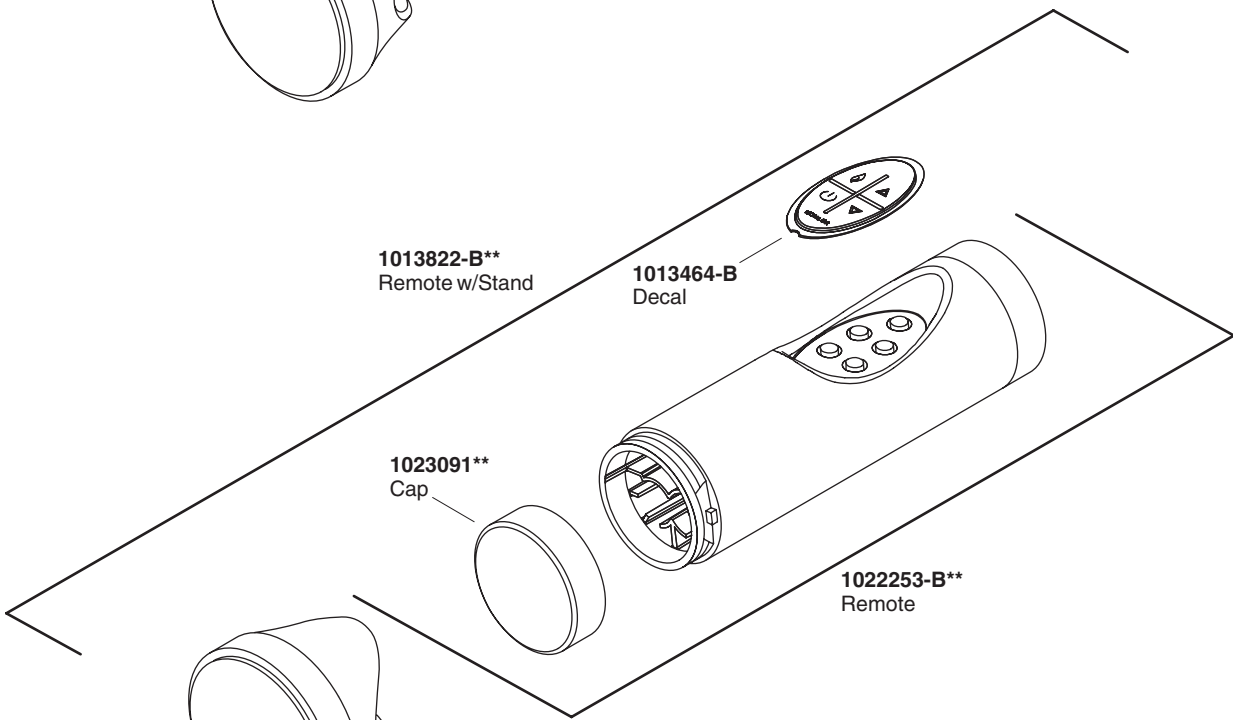
1013822-A\*\*  
Remote w/Stand

1013464-A  
Decal

1023091\*\*  
Cap

1022253-A\*\*  
Remote

1013471\*\*  
Stand



1013822-B\*\*  
Remote w/Stand

1013464-B  
Decal

1023091\*\*  
Cap

1022253-B\*\*  
Remote

1013471\*\*  
Stand

**\*\*Finish/color code must be specified when ordering.**

# Guide du propriétaire

## Baignoire à hydromassage

### Renseignements importants

#### CONSIGNES RELATIVES AUX RISQUES D'INCENDIE, D'ÉLECTROCUTION OU DE BLESSURES CORPORELLES

#### LIRE ET SUIVRE TOUTES LES INSTRUCTIONS

#### CONSERVER CES INSTRUCTIONS



**AVERTISSEMENT :** Lors de l'utilisation des produits électriques, des précautions de base devraient toujours être observées, incluant ce qui suit:



**DANGER :** Risque de blessures corporelles. Afin de réduire les risques de blessures, ne jamais permettre à un enfant d'utiliser cet appareil sans surveillance.



**AVERTISSEMENT :** Risque de blessures corporelles. Pour éviter les blessures corporelles, entrer et sortir avec précaution de la baignoire à hydromassage.



**AVERTISSEMENT :** Risque d'électrocution. Ne pas raccorder d'appareils électriques (tels que sèche-cheveux, lampe, téléphone, radio ou télévisions) dans les 5' (1,5 m) de cette baignoire à hydromassage.



**AVERTISSEMENT :** La consommation d'alcool, de drogues ou de médicaments peuvent augmenter considérablement le risque fatal d'hyperthermie. Une immersion prolongée dans l'eau chaude peut provoquer l'hyperthermie. L'hyperthermie a lieu lorsque la température corporelle interne atteint plusieurs degrés au dessus de la température normale de 98,6°F (37°C). Les symptômes d'hyperthermie comprennent la hausse de la température corporelle, l'étourdissement, la léthargie, la somnolence et l'évanouissement. Les effets de l'hyperthermie comprennent: (a) défaut de percevoir la chaleur, (b) défaut de s'apercevoir du besoin de sortir de la baignoire, (c) incapacité de reconnaître le danger, (d) dommages au fœtus dans le cas des femmes enceintes, (e) incapacité physique de sortir de la baignoire et (f) inconscience et danger conséquent de noyade.



**AVERTISSEMENT :** Risque d'hyperthermie. Les personnes sous médicaments ou qui sont en observation médicale doivent consulter leur médecin avant d'utiliser des baignoires à hydromassage équipées de chauffe-eau.



**AVERTISSEMENT :** Risque de brûlures. Ne pas laisser la température de la baignoire à hydromassage excéder 104° F (40°C).

Un chauffe-eau maintient automatiquement la température d'eau quand la baignoire à hydromassage est en marche, et tant que la température d'eau ne dépasse pas 104°F (40°C). Le chauffe-eau s'arrêtera aux températures plus hautes.

Une borne de mise à la terre est incluse dans le boîtier du câblage. Afin de réduire les risques d'électrocution, ce terminal doit être raccordé à la borne de mise à la terre du panneau du service électrique, avec un câble ayant le même calibre que celui du circuit de contrôle qui alimente cet équipement.

Un connecteur à pression par câble est prévu à l'extérieur de la pompe ou de la commande de cet appareil afin de permettre la connexion entre l'appareil et toutes autres surfaces de métal avoisinantes, tel que requis par les normes locales.

## Renseignements importants (cont.)

Utiliser cette baignoire à hydromassage uniquement pour un usage tel que décrit dans ce guide. Ne pas utiliser des fixations non recommandées par le fabricant.

Ne jamais faire tomber ou insérer d'objet quelconque dans les ouvertures. Ne pas laisser de petits objets tels que des jouets ou accessoires pour le bain dans la baignoire à hydromassage lorsqu'elle est en marche.

Ne pas utiliser cet appareil sans ses protecteurs (couvercles) sur ses raccords d'aspiration.

La baignoire à hydromassage doit être raccordée uniquement à une prise de terre, protégée par un disjoncteur différentiel (GFCI) ou un appareil de courant résiduel (RCD). De tels disjoncteurs GFCI ou RCD devraient être fournis par l'installateur et vérifiés régulièrement. Appuyer sur le bouton de test pour tester les disjoncteurs GFCI ou RCD. Le GFCI ou RCD devraient couper le courant. Appuyer sur le bouton de ré-initialisation. L'alimentation devrait être restituée. Si les disjoncteurs GFCI ou RCD ne fonctionnent pas de cette façon, l'un ou l'autre est défectueux. Si les disjoncteurs GFCI ou RCD stoppent l'alimentation électrique à la baignoire sans que le bouton test ne soit utilisé, il y a donc un court circuit indiquant la possibilité de choc électrique. Ne pas utiliser pas cette baignoire à hydromassage. Débrancher la baignoire à hydromassage et la faire réviser par un technicien qualifié avant son utilisation.

Purger le système d'hydromassage deux fois par mois ou plus souvent selon la fréquence d'usage, tel que décrit dans la section "Purger le système" de ce guide.

L'utilisation répétée de produits d'hygiène et de beauté contenant des huiles peut endommager les revêtements en plastique des composants de la baignoire à hydromassage. Ne pas utiliser de shampoings ou d'huiles de bains à bases végétales.

L'action de la baignoire à hydromassage peut considérablement faire mousser une quantité de produit moussant, même très petite, de savon, de shampoing ou d'huile pour le bain. Pour cette raison, nous vous conseillons de ne pas utiliser ces produits dans votre baignoire à hydromassage.

## Merci d'avoir choisi la compagnie Kohler

Merci d'avoir choisi la compagnie Kohler. Votre produit de la compagnie Kohler reflète la véritable passion du design, d'artisanat, d'art et d'innovation représentant la compagnie Kohler. Nous sommes confiants que sa fiabilité et beauté surpasseront vos exigences les plus élevées, vous satisfaisant pendant les années à venir.

Toute information contenue dans ce guide est basée sur l'information la plus récente du produit disponible au moment de la publication. A la compagnie Kohler, nous aspirons à remplir notre mission d'améliorer le niveau de vie gracieux pour chaque individu affecté par nos produits et services. Nous nous réservons le droit d'apporter des modifications aux caractéristiques, aux emballages et à la disponibilité des produits à tout moment, et ce sans préavis.

Veillez prendre s'il vous plaît quelques minutes pour étudier ce guide. Prêter une attention toute particulière aux instructions d'entretien et de nettoyage.

## Composants

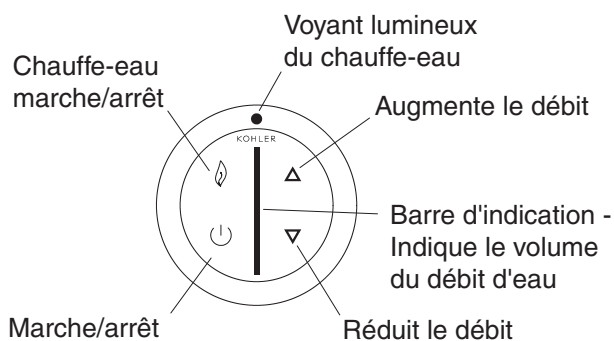
Votre nouvelle baignoire à hydromassage est conçue pour relaxer, stimuler, revigorer et tonifier votre corps. La baignoire à hydromassage consiste en les éléments suivants:

- **Baignoire** - Agit comme un réservoir d'eau, et fournit un espace pour l'action d'hydromassage.
- **Clavier de l'utilisateur** - Localisé à portée de main, le clavier permet d'arrêter ou de démarrer la pompe et le chauffe-eau ainsi que de régulariser le débit d'eau dans les jets.
- **Moteur de pompe** - Silencieux et à vitesse variable, pour faire circuler l'eau et créer l'action relaxante d'hydromassage.
- **Jets réglables** - Positionnés de manière stratégique pour optimiser l'effet d'hydromassage, ils permettent d'ajuster le débit d'air et d'eau, ainsi que de contrôler la direction du jet selon le désir.

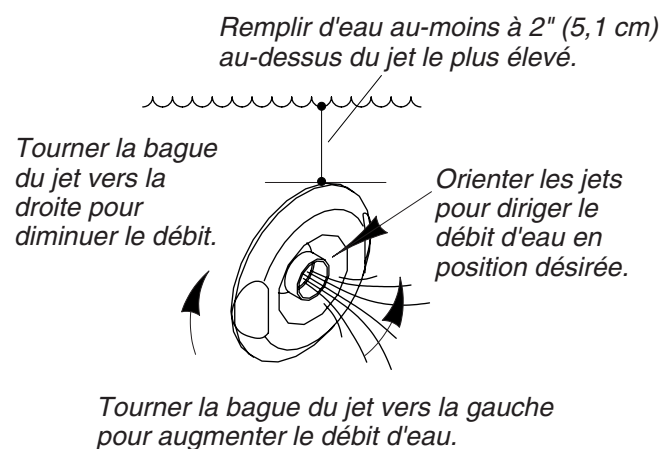


## Composants (cont.)

- **Chauffe-eau** - Conçu pour aider à maintenir automatiquement la température de l'eau jusqu'à 104°F (40°C) et pour améliorer votre expérience de bain à hydromassage. Le chauffe-eau s'active automatiquement lorsque la baignoire à hydromassage est en service, et s'éteint lorsque le moteur de la pompe est arrêté. Le chauffe-eau peut être mis en arrêt, par le clavier, à tout moment quand la pompe est en fonction.



**Clavier de l'utilisateur illuminé**



## Opération

### Clavier de l'utilisateur

<b>Alimentation</b>	Met les pompes de la baignoire à hydromassage en marche et arrêt.
<b>Flèche haut</b>	Augmente le débit d'eau.
<b>Flèche bas</b>	Réduit le débit d'eau.
<b>Chauffe-eau</b>	S'active automatiquement lorsque la baignoire à hydromassage est mise en service. Appuyer sur le bouton du chauffe-eau pour l'arrêter. Appuyer une deuxième fois sur le bouton pour redémarrer le chauffe-eau.
<b>Bar indicatrice</b>	Affiche le volume du débit d'eau.

### Baignoire à hydromassage

- Tourner complètement la bague du jet vers la gauche. Orienter les buses du jet vers le fond du bassin.

**AVIS :** Ne pas laisser la température de la baignoire à hydromassage excéder 104° F (40°C). Un chauffe-eau maintient automatiquement la température d'eau quand la baignoire à hydromassage est en marche, et tant que la température d'eau ne dépasse pas 104°F (40°C). Le chauffe-eau s'arrêtera aux températures plus hautes.

- Fermer le drain, puis remplir la baignoire à hydromassage à un niveau d'eau au moins 2" (5.1 cm) au-dessus du jet le plus élevé. Utiliser votre main pour tester la température de l'eau pour le confort et la sécurité. Entrer dans la baignoire avec précaution.
- Appuyer sur l'icône de marche pour démarrer la pompe et le chauffe-eau de la baignoire à hydromassage. Le débit d'eau aura un volume moyen.
- Presser les flèches haut/bas pour augmenter ou diminuer le volume de débit d'eau. La barre indicatrice affiche le volume du débit d'eau.
- Ajuster les jets pour un mélange optimal de l'eau et de l'air. Tourner la bague du jet vers la droite pour réduire le débit, ou vers la gauche l'augmenter. Le cas échéant, orienter les jets pour diriger le débit d'eau vers la direction désirée pour optimiser l'action d'hydromassage.
- Si désiré, éteindre le chauffe-eau en appuyant sur le bouton chauffage. Appuyer une deuxième fois sur le bouton pour redémarrer le chauffe-eau.
- Presser l'icône de démarrage une deuxième fois pour arrêter la pompe et le chauffe-eau.

**REMARQUE :** Votre pompe et le chauffe-eau s'arrête automatiquement après environ 20 minutes de fonctionnement. Si désiré, appuyer sur l'icône de démarrage pour réactiver la pompe et le chauffe-eau.

- Sortir doucement de la baignoire à hydromassage, et ouvrir le drain pour la vider.

## Opération (cont.)

**REMARQUE :** Si la baignoire à hydromassage ne fonctionne pas correctement, consulter la section "Dépannage" de ce guide avant d'appeler un représentant en service qualifié.

## Entretien et nettoyage

Pour de meilleurs résultats, prendre ce qui suit en considération lors de l'entretien de votre produit KOHLER:

- Toujours tester la solution de nettoyage sur une surface la moins évidente avant de l'appliquer sur la totalité de la surface.
- Essuyer les surfaces et rincer complètement avec de l'eau immédiatement après l'application de nettoyant. Rincer et sécher tout éclaboussement sur les surfaces avoisinantes.
- Ne pas laisser les nettoyants sur les surfaces.
- Utiliser une éponge ou un chiffon doux et humide. Ne jamais utiliser de matériau abrasif tel que brosse ou éponges à récurer pour nettoyer les surfaces.

Pour l'information détaillée de nettoyage et des produits à considérer, visiter [www.kohler.com/clean](http://www.kohler.com/clean). Pour commander des informations d'entretien et de nettoyage, composer le 1-800-456-4537.

## Purger le système d'hydromassage

**REMARQUE :** Purger le système d'hydromassage deux fois par mois ou plus, selon la fréquence d'utilisation.

- Tourner les bagues de garniture du jet complètement vers la droite pour supprimer l'injection de l'air.
- Remplir la baignoire à hydromassage avec de l'eau chaude à un niveau d'au moins 2" (5,1 cm) au-dessus des jets les plus élevés, ou laisser l'eau dans la baignoire à hydromassage après l'usage.
- Ajouter à l'eau 2 petites cuillères (10 ml) d'un détergent pour lave-vaisselle peu moussant et 20 onces (590 ml) d'eau de javel domestique (5% - 6% d'hypochlorite de sodium).
- Faire fonctionner la baignoire à hydromassage pendant 5 à 10 minutes. Arrêter la baignoire à hydromassage et purger.
- Si désiré, rincer les surfaces de la baignoire avec de l'eau.
- Rincer les surfaces des jets, le robinet, les barres d'appuis et le drain, et sécher avec un chiffon doux.

## Garantie limitée d'un an

### GARANTIE LIMITÉE D'UN AN

Les produits de plomberie KOHLER sont garantis contre tout défaut matériel et de fabrication pour un an, à partir de la date de l'installation.

Kohler Co. jugera à sa discrétion, de la réparation, du remplacement ou du réglage approprié et ceci après toute inspection faite par Kohler Co. de tous défauts dus à une utilisation normale et ceci pendant un (1) an à partir de la date d'installation. Kohler Co. n'est pas responsable des coûts de démontage ou d'installation. **L'utilisation de nettoyants à l'intérieur du réservoir annulera la garantie.**

Pour obtenir un service-garantie, contacter Kohler Co. par l'intermédiaire de votre vendeur, plombier, centre de rénovation, revendeur par internet ou par écrit à Kohler Co. à l'attention de: Customer Care Center (Service d'assistance à la clientèle), 444 Highland Drive, Kohler, WI 53044, USA, ou composer le 1-800-4KOHLER (1-800-456-4537) à partir des États-Unis et du Canada, et le 001-877-680-1310 à partir du Mexique.

**LA DURÉE DES GARANTIES TACITES, Y COMPRIS CELLES DE QUALITÉ MARCHANDE ET D'APTITUDE À UN EMPLOI PARTICULIER, SE LIMITE EXPRESSÉMENT À LA DURÉE DE LA PRÉSENTE GARANTIE. KOHLER CO. ET/OU LE REVENDEUR DÉCLINENT TOUTE**

**Garantie limitée d'un an (cont.)**

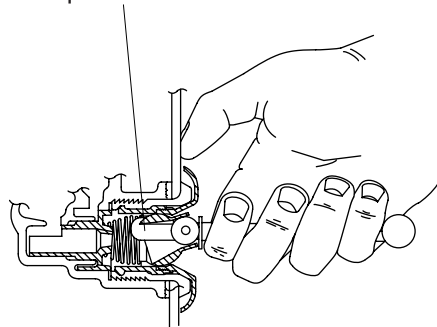
**RESPONSABILITÉ CONTRE LES DOMMAGES PARTICULIERS, IMPRÉVUS OU DE CIRCONSTANCE.**

Certains états/provinces ne permettent pas la limitation sur la durée de la garantie implicite, ou l'exclusion ou la limitation de dommages spéciaux, accessoires ou indirects, et, par conséquent, ces limitations et exclusions pourraient ne pas s'appliquer dans votre cas. Cette garantie vous donne des droits légaux spécifiques. Vous pouvez également avoir d'autres droits qui varient d'un état/province à l'autre.

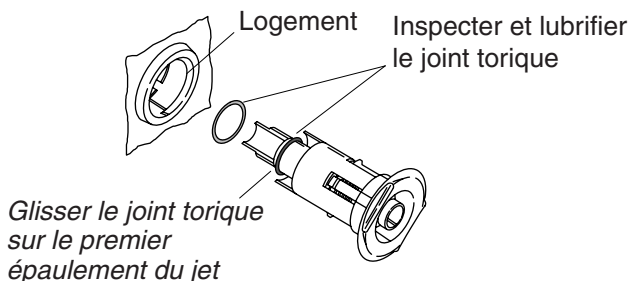
**Ceci constitue la garantie écrite exclusive de Kohler Co.**

### Retirer les jets

Insérer l'outil en crochet comme indiqué, et retirer le jet hors de son logement. Le gicleur devrait être vers le haut quand cela sera terminé.



### Réinstaller les jets



Insérer le jet dans son logement, tourner et pousser doucement jusqu'à ce qu'il s'enclenche en position

## Dépannage

**AVIS :** Cette section est seulement destinée à une aide générale. Seul un agent agréé de Kohler ou un électricien qualifié devrait corriger tous les problèmes électriques. Pour une réparation sous garantie, contacter le vendeur ou distributeur.

### Retirer les jets

**REMARQUE :** L'outil pour le jet (fourni avec le kit de la baignoire à hydromassage et du rebord) qui vous permet d'enlever les jets de la baignoire à hydromassage.

- Positionner la buse de gicleur du jet vers le haut. Ceci assure que l'outil pour le jet ne glissera pas.
- Avec le crochet des jets orienté vers le haut, insérez l'outil pour le jet dans l'ouverture du jet et le crochet à l'intérieur du haut de la buse.
- En tenant l'outil fermement, placer le pouce contre le mur de la baignoire à hydromassage. Tirer avec force sur l'outil jusqu'à ce que l'ensemble du jet sorte du trou. Faire attention à ne pas perdre le joint torique.

### Réinstaller les jets

**REMARQUE :** Pour permettre une rotation aisée et un fonctionnement correct des jets, le joint torique doit être : (1) correctement placé, (2) lubrifié, et (3) en bonne condition.

- Installer le joint torique sur le **premier épaulement** du jet. Lubrifier le joint torique avec le paquet de lubrifiant silicone (fourni), afin d'éviter le fonctionnement bruyant du jet.
- Insérer délicatement le jet dans le logement, puis pousser et pivoter légèrement jusqu'à ce qu'il s'enclenche en place. **Ne pas forcer le jet.**
- L'appareil n'est pas installé correctement. Le jet devrait pivoter aisément dans les deux sens. Retirer et réinstaller si nécessaire.

Symptômes	Causes probables	Action recommandée
1. Le clavier ne s'illumine pas quand le bouton est pressé ou quand la bague extérieure est tournée.	<p>A. Pas d'alimentation au contrôle.</p> <p>B. Les disjoncteurs GFCI ou RCD se déclenchent.</p> <p>C. Le harnais du câblage du clavier est desserré, débranché ou endommagé.</p> <p>D. Le clavier ne fonctionne pas.</p>	<p>A. Vérifier le câblage et connecter l'alimentation électrique.</p> <p>B. Réinitialiser le GFCI ou le RCD.</p> <p>C. Vérifier que les connexions du câblage soient correctes. Remplacer le harnais du câblage si nécessaire.</p> <p>D. Remplacer le clavier.</p>

<b>Dépannage (cont.)</b>		
<b>Symptômes</b>	<b>Causes probables</b>	<b>Action recommandée</b>
	<b>E.</b> Le contrôle ne fonctionne pas.	<b>E.</b> Remplacer le contrôle.
<b>2.</b> Le moteur démarre, mais tous les jets ne fonctionnent pas.	<b>A.</b> Le jet est fermé. <b>B.</b> Le jet n'est pas installé correctement. <b>C.</b> Les jets sont bloqués.	<b>A.</b> Tourner la bague du jet vers la gauche pour ouvrir. <b>B.</b> Réinstaller le jet; s'assurer que le joint torique n'est pas endommagé. <b>C.</b> Retirer le blocage.
<b>3.</b> Le clavier est illuminé mais, ne répond pas aux boutons ou bague extérieure.	<b>A.</b> Le programme de contrôle est verrouillé. <b>B.</b> Le harnais du câblage du clavier est desserré, débranché ou endommagé. <b>C.</b> Le clavier ne fonctionne pas. <b>D.</b> Le contrôle ne fonctionne pas.	<b>A.</b> Réinitialiser le GFCI ou le RCD. <b>B.</b> Vérifier que les connexions du câblage soient correctes. Remplacer le harnais du câblage si nécessaire. <b>C.</b> Remplacer le clavier. <b>D.</b> Remplacer le contrôle.
<b>4.</b> La barre d'indication du clavier continue le balayage au démarrage.	<b>A.</b> Le programme de contrôle est verrouillé. <b>B.</b> Le harnais du câblage du clavier est desserré, débranché ou endommagé. <b>C.</b> Le clavier ne fonctionne pas. <b>D.</b> Le contrôle ne fonctionne pas.	<b>A.</b> Réinitialiser le GFCI ou le RCD. <b>B.</b> Vérifier que les connexions du câblage soient correctes. Remplacer le harnais du câblage si nécessaire. <b>C.</b> Remplacer le clavier. <b>D.</b> Remplacer le contrôle.
<b>5.</b> Le clavier est illuminé, mais la pompe ne démarre pas.	<b>A.</b> Le câble de la pompe est desserré, déconnecté ou endommagé. <b>B.</b> La pompe ne fonctionne pas. <b>C.</b> Le contrôle ne fonctionne pas.	<b>A.</b> Vérifier que les connexions du câblage soient correctes. <b>B.</b> Remplacer la pompe. <b>C.</b> Remplacer le contrôle.
<b>6.</b> Le moteur fonctionne mais la pompe ne pompe pas (pompe cavitante).	<b>A.</b> La pompe est trop élevée. <b>B.</b> Petite fuite d'air à l'entrée de la pompe. <b>C.</b> Le moteur/pompe ne fonctionne pas. <b>D.</b> Le contrôle ne fonctionne pas.	<b>A.</b> Baisser la pompe/contrôle au niveau du plancher. <b>B.</b> Serrer soigneusement le(s) écrou(s) des tuyaux de l'admission de la pompe. <b>C.</b> Remplacer le moteur/la pompe. <b>D.</b> Remplacer le contrôle.
<b>7.</b> La pompe s'arrête automatiquement avant 18 minutes.	<b>A.</b> Les disjoncteurs GFCI ou RCD se déclenchent. <b>B.</b> L'aspiration est bloquée. <b>C.</b> Les jets sont bloqués. <b>D.</b> Moteur surchauffé et système de protection activé.	<b>A.</b> Identifier la source du problème, puis la corriger. Réinitialiser le GFCI ou le RCD. <b>B.</b> Retirer l'obstruction. <b>C.</b> Retirer le blocage. <b>D.</b> Vérifier s'il y a un blocage à l'aspiration et/ou aux jets. Retirer l'obstruction et laisser le moteur refroidir.
<b>8.</b> La pompe ne s'arrête pas automatiquement après 22 minutes.	<b>A.</b> La minuterie de 20 minutes s'arrête par inadvertance.	<b>A.</b> Consulter le manuel de service.
<b>9.</b> La pompe ne s'arrête pas quand le bouton de marche du clavier est pressé.	<b>A.</b> Le clavier ne fonctionne pas. <b>B.</b> Le contrôle ne fonctionne pas.	<b>A.</b> Remplacer le clavier. <b>B.</b> Remplacer le contrôle.

**Dépannage (cont.)**

<b>Symptômes</b>	<b>Causes probables</b>	<b>Action recommandée</b>
<b>10.</b> La pompe fonctionne, mais la fonction de vitesse variable ne fonctionne pas.	<b>A.</b> Le moteur/pompe ne fonctionne pas. <b>B.</b> Le contrôle ne fonctionne pas.	<b>A.</b> Remplacer le moteur/la pompe. <b>B.</b> Remplacer le contrôle.
<b>11.</b> L'eau de la baignoire se refroidit pendant l'opération de la pompe.	<b>A.</b> La température de l'eau au-dessus de 104°F (40°C). <b>B.</b> Le chauffe-eau est arrêté par le clavier. <b>C.</b> Le câblage du chauffe-eau est desserré, débranché ou endommagé. <b>D.</b> Le chauffe-eau ne fonctionne pas. <b>E.</b> Le contrôle ne fonctionne pas.	<b>A.</b> Laisser l'eau du bain refroidir. <b>B.</b> Mettre le chauffe-eau en marche. <b>C.</b> Vérifier que les connexions du câblage soient correctes. <b>D.</b> Remplacer le chauffe-eau. <b>E.</b> Remplacer le contrôle.
<b>12.</b> Fonctionnement bruyant.	<b>A.</b> Les sangles de retenue de la pompe n'ont pas été coupées. <b>B.</b> Joint torique sec ou délogé (crissement).	<b>A.</b> Couper les sangles de retenue avec des cisailles de ferblantier. <b>B.</b> Retirer le jet, remplacer et lubrifier le joint torique, et réinstaller le jet.

**1003065**  
Outil d'extraction de  
la bride d'aspiration



**73518**  
Bouchon



**93685**  
Logement



**96708**  
Bride



**65886** (Acrylique et FRP)  
**60050** (Fonte)  
Joint

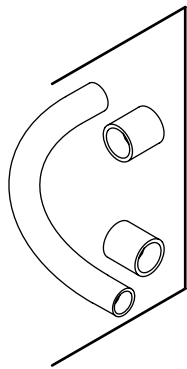


**65054\*\***  
Vis



**96895\*\*** (Finitions colorées)  
**65061\*\*** (Finitions métalliques)  
Couvercle

**65226\*\***  
Capuchon de la vis  
du couvercle d'aspiration



**93836** (1/2")  
**93837** (3/4")  
**93838** (1")  
**93839** (1-1/4")  
**94853** (1-1/2")  
Tuyau (avec couplages)

**91967**  
Valve clapet de non-retour



**1086350**  
Clé d'extraction de bride



**67665**  
Bouchon



**67429**  
Bride



**67889**  
Logement du jet

**65885** (Acrylique et FRP)  
**67668** (Fonte)  
Joint



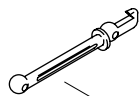
**34353**  
Joint torique



**1045715-P**  
Paquet de  
lubrifiant  
silicone



**30739**  
Outil pour le jet



**Jet unique pour baignoires à  
hydromassage avec 5 jets ou moins**

**88532\*\*** (Finitions colorées)  
**88531\*\*** (Finitions métalliques)  
Jet

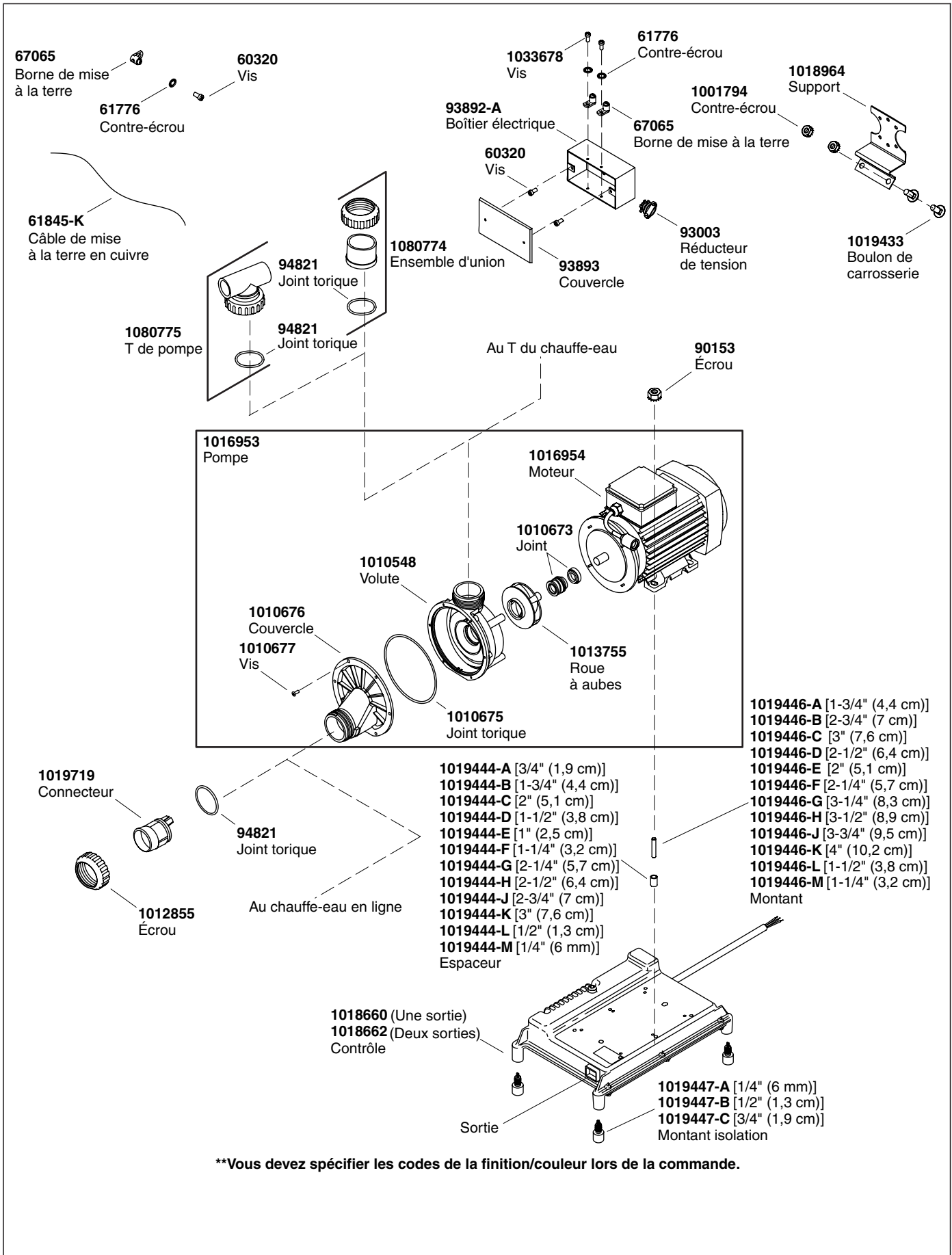
**Jet unique pour baignoires à  
hydromassage avec 6 jets ou plus**

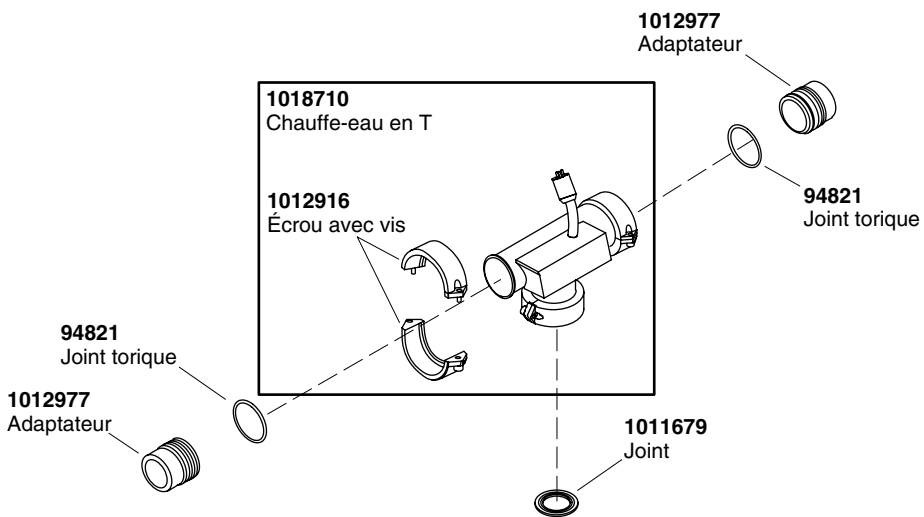
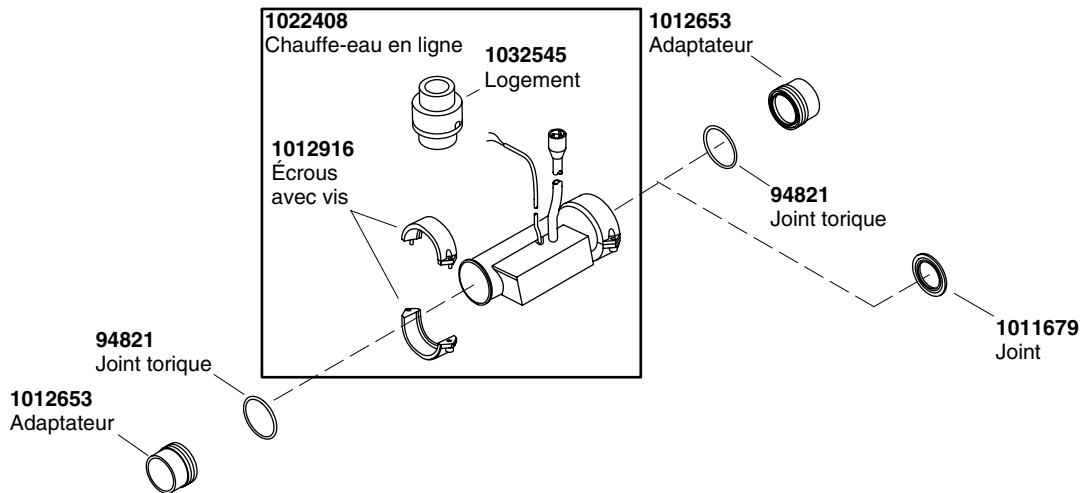
**88530\*\*** (Finitions colorées)  
**88529\*\*** (Finitions métalliques)  
Jet

**\*\*Vous devez spécifier les codes de la finition/couleur lors de la commande.**

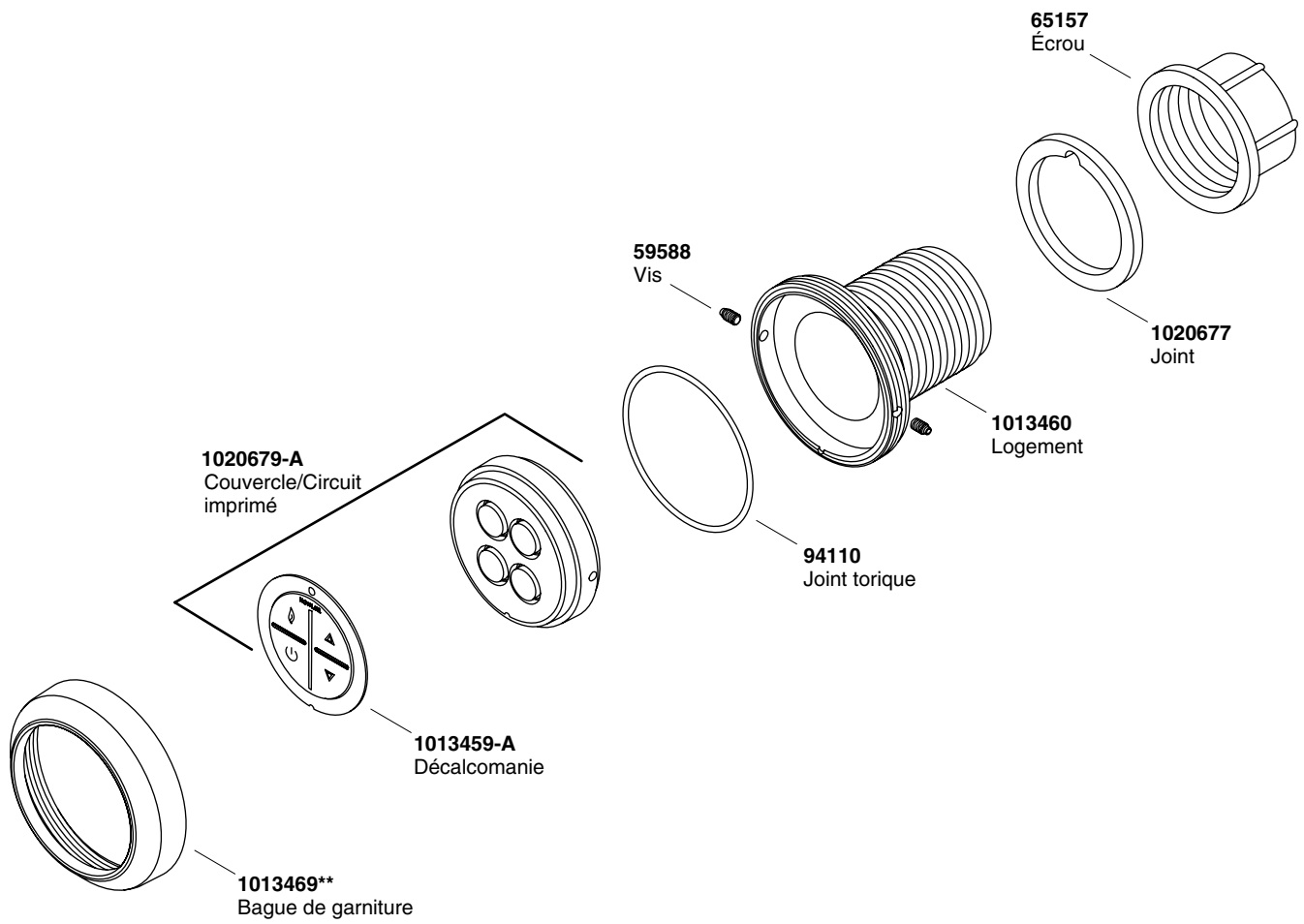
**Pièces de rechange**



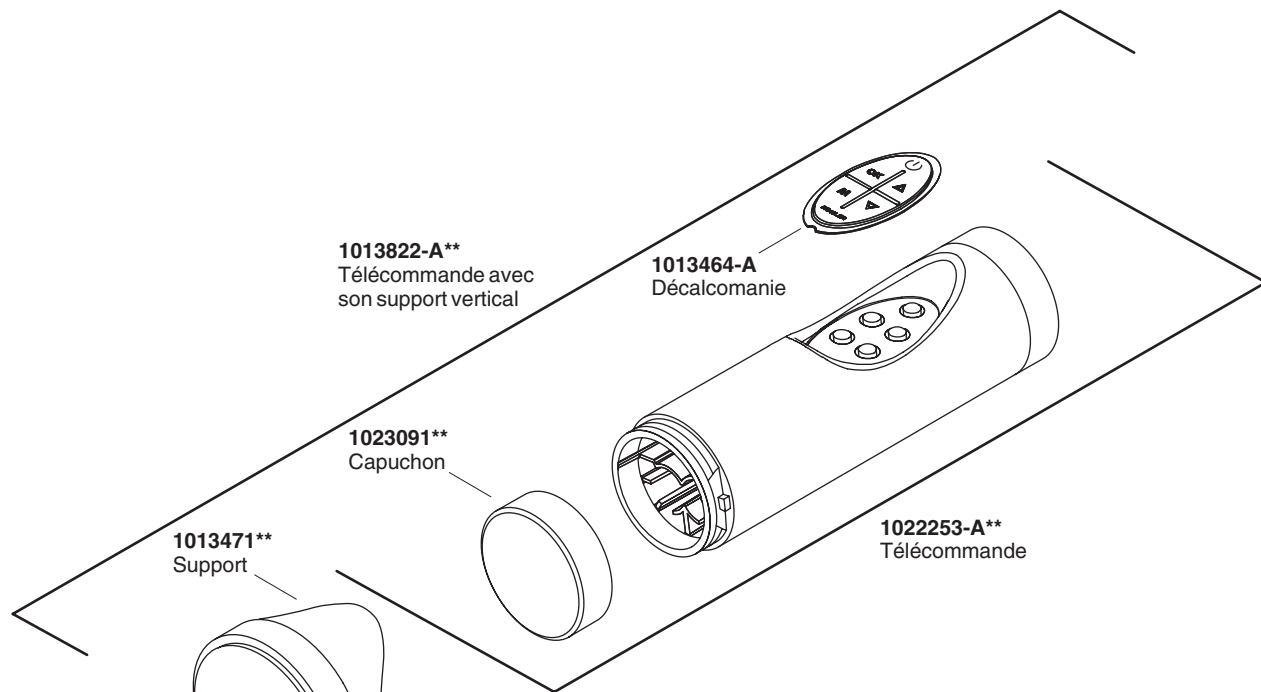




**\*\*Vous devez spécifier les codes de la finition/couleur lors de la commande.**



**\*\*Vous devez spécifier les codes de la finition et/ou de la couleur quand vous passez votre commande.**



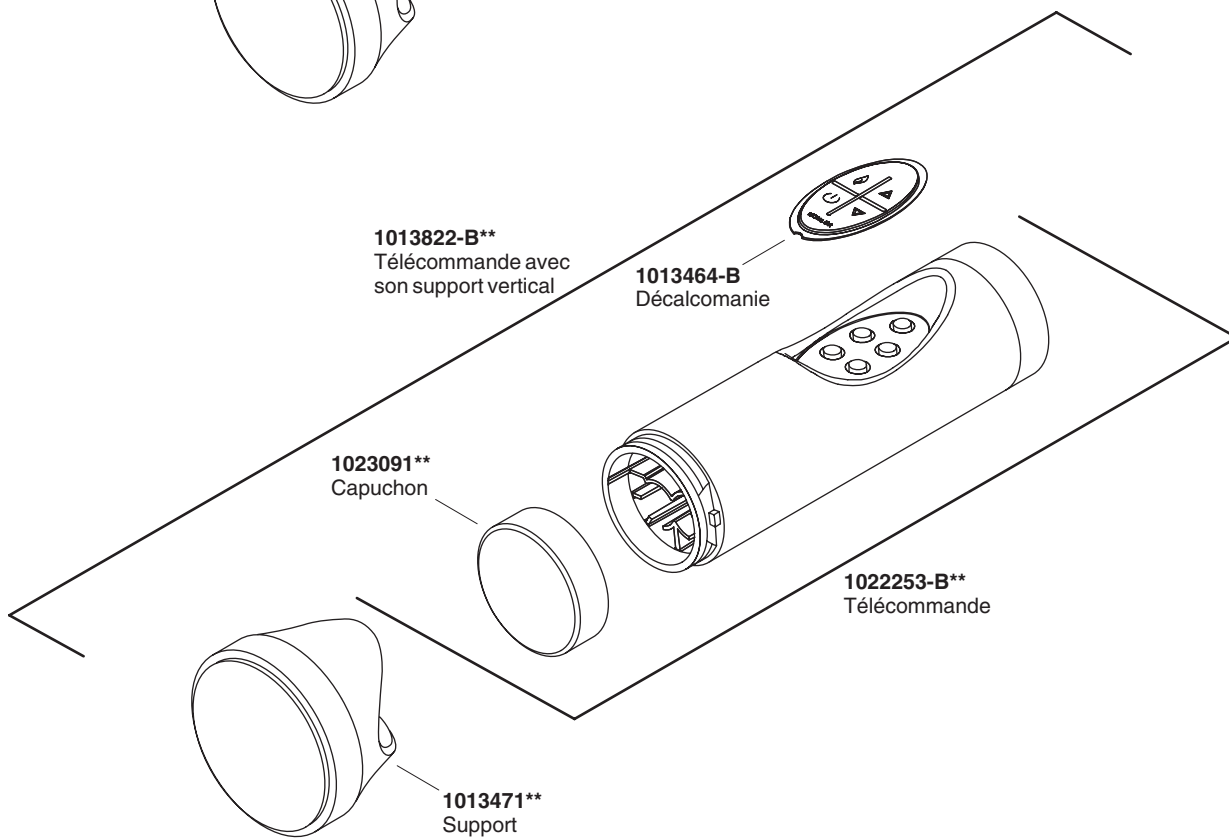
**1013822-A\*\***  
Télécommande avec  
son support vertical

**1013464-A**  
Décalcomanie

**1023091\*\***  
Capuchon

**1013471\*\***  
Support

**1022253-A\*\***  
Télécommande



**1013822-B\*\***  
Télécommande avec  
son support vertical

**1013464-B**  
Décalcomanie

**1023091\*\***  
Capuchon

**1013471\*\***  
Support

**1022253-B\*\***  
Télécommande

**\*\*Vous devez spécifier les codes de la finition et/ou de la couleur quand vous passez votre commande.**

# Guía del usuario

## Bañera de hidromasaje

### Información importante

## INSTRUCCIONES RELATIVAS AL RIESGO DE INCENDIO, DESCARGA ELÉCTRICA O LESIONES PERSONALES

### LEA Y SIGA TODAS LAS INSTRUCCIONES

### GUARDE ESTAS INSTRUCCIONES



**ADVERTENCIA:** Al usar aparatos eléctricos, siga siempre las precauciones básicas, incluyendo las siguientes:



**PELIGRO: Riesgo de lesiones personales.** Para reducir el riesgo de lesiones, no permita que los niños usen este producto sin la estricta supervisión en todo momento.



**ADVERTENCIA: Riesgo de lesiones personales.** Para evitar lesiones, tenga cuidado al entrar y salir de la bañera de hidromasaje.



**ADVERTENCIA: Riesgo de descarga eléctrica.** No coloque aparatos eléctricos (como secador de pelo, lámparas, teléfono, radio o televisión) a menos de 5' (1,5 m) de esta bañera de hidromasaje.



**ADVERTENCIA: El uso de alcohol, drogas o medicamentos puede aumentar enormemente el riesgo de sufrir hipertermia fatal.** La inmersión prolongada en agua caliente puede producir hipertermia. La hipertermia ocurre cuando la temperatura interna del cuerpo alcanza un nivel superior a la temperatura corporal normal de 98,6°F (37°C). Los síntomas de la hipertermia incluyen el aumento de la temperatura corporal interna, mareos, letargo, somnolencia y desfallecimiento. Los efectos de la hipertermia incluyen: (a) incapacidad para percibir calor, (b) incapacidad para reconocer la necesidad de salir de la bañera, (c) inconsciencia de un peligro inminente, (d) daño al feto en mujeres embarazadas, (e) inhabilidad física para salir de la bañera y (f) pérdida del conocimiento con peligro de ahogarse.



**ADVERTENCIA: Riesgo de hipertermia.** Las personas bajo tratamiento médico o que padezcan de alguna condición médica deben consultar con un médico antes de utilizar una bañera de hidromasaje equipada con un calentador.



**ADVERTENCIA: Riesgo de quemaduras.** La temperatura del agua en la bañera no debe exceder los 104°F (40°C).

El calentador mantendrá automáticamente la temperatura del agua mientras la bañera de hidromasaje esté en funcionamiento, siempre y cuando la temperatura no sobrepase los 104°F (40°C). El calentador se apagará a temperaturas superiores.

El compartimiento de cables tiene un terminal de conexión a tierra para el equipo. Para reducir el riesgo de descarga eléctrica, este terminal se debe conectar a la conexión de tierra provista en el panel de suministro eléctrico con un conductor del mismo tamaño que los conductores del circuito que alimentan esta bañera de hidromasaje.

En el exterior de la bomba o control de esta unidad se incluye un conector de presión para permitir la conexión de un conductor de puesta a tierra entre esta unidad y el metal expuesto en las proximidades, tal como lo requieran las normas locales.

## Información importante (cont.)

Use esta bañera de hidromasaje únicamente con el fin para el que se ha fabricado, tal como se explica en esta guía. No utilice accesorios que no estén recomendados por el fabricante.

No deje caer ni introduzca objetos en ninguna de las aberturas. Mantenga los objetos pequeños tales como los juguetes y accesorios de baño fuera de la bañera de hidromasaje cuando esté en funcionamiento.

No permita que esta unidad funcione sin la tapa protectora (tapadera) en la conexión de succión.

La bañera de hidromasaje debe conectarse solamente a un circuito protegido con un interruptor de circuito con pérdida a tierra (GFCI) o por un dispositivo de corriente residual (RCD). El instalador debe proveer el interruptor de protección GFCI o RCD, cuyo funcionamiento debe probarse de manera rutinaria. Para probar el interruptor de protección GFCI o RCD, oprima el botón de prueba (test). El interruptor de protección GFCI o RCD debe interrumpir la alimentación eléctrica. Oprima el botón (reset) de restablecer la alimentación eléctrica. Esto debe restablecer la alimentación eléctrica. Si el interruptor de protección GFCI o RCD no funciona de este modo, significa que está averiado. Si el interruptor de protección GFCI o RCD, interrumpe la alimentación eléctrica a la bañera sin haber oprimido el botón de prueba, significa que existe corriente a tierra y la posibilidad de una descarga eléctrica. No utilice esta bañera de hidromasaje. Desconecte la bañera de hidromasaje, y antes de usarla, haga que un representante de servicio autorizado solucione el problema.

Limpie el sistema de hidromasaje dos o más veces al mes, dependiendo del uso, tal como se describe en la sección "Limpieza del sistema" de esta guía.

El uso constante de productos de higiene personal que contengan aceites puede dañar los componentes plásticos de la bañera de hidromasaje. No utilice champús a base de productos vegetales ni aceites de baño.

La acción del hidromasaje puede hacer que una pequeña cantidad de líquidos para hacer burbujas, champú, jabón o aceite de baño espume en exceso. Por esta razón, no utilice estos productos durante el funcionamiento de la bañera de hidromasaje.

## Gracias por elegir los productos Kohler

Gracias por elegir los productos Kohler. Su producto de Kohler Company refleja la verdadera pasión por el diseño, la mano de obra, la artesanía y la innovación que forman parte de Kohler Company. Estamos seguros que su confiabilidad y belleza excederán sus más altas expectativas, dándole satisfacción por años.

Toda la información que aparece en la guía está basada en la información más reciente disponible al momento de publicación. En Kohler Company, nos esforzamos por alcanzar nuestra misión de mejorar el nivel del buen vivir de quienes disfrutan de nuestros productos y servicios. Nos reservamos el derecho de efectuar cambios en las características, embalaje o disponibilidad del producto en cualquier momento, sin previo aviso.

Dedique unos minutos para leer esta guía. Preste especial atención a las instrucciones de cuidado y limpieza.

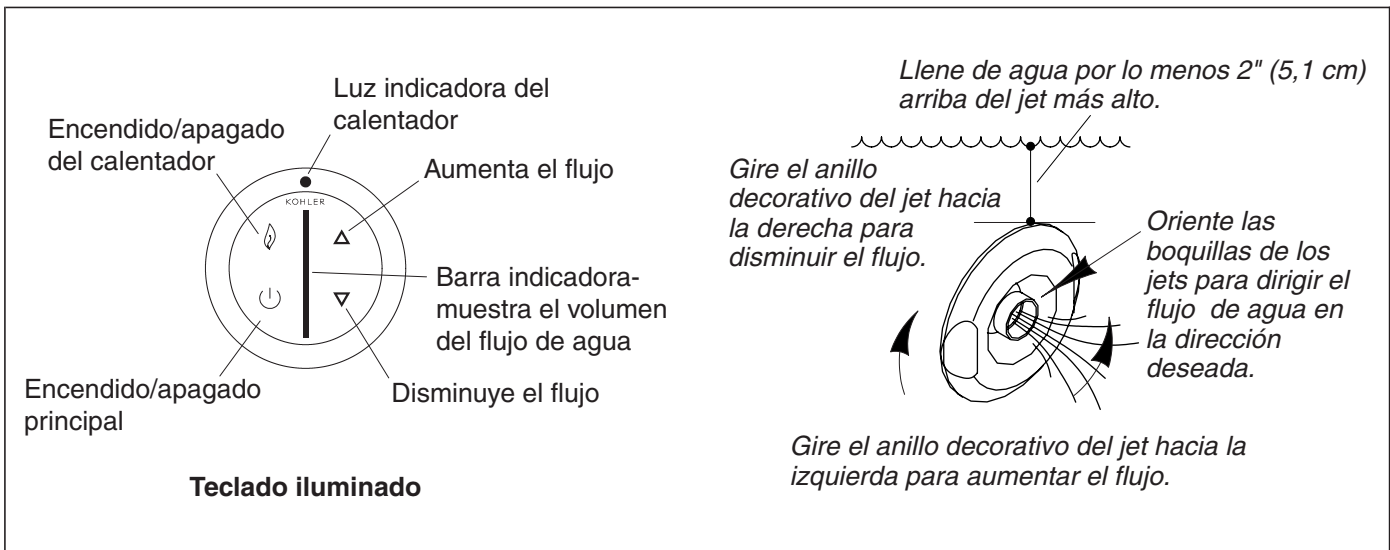
## Componentes

Su nueva bañera de hidromasaje está diseñada para estimular, vigorizar y dar energía a su cuerpo con una terapia de hidromasaje reconfortante. La bañera de hidromasaje consta de los siguientes componentes:

- **Bañera** - Actúa como un depósito de agua y es el lugar de acción del hidromasaje.
- **Teclado** - El teclado, de fácil alcance, le permite encender y apagar la bomba y el calentador, así como regular el flujo de agua a través de los jets.
- **Motor bomba** - Provee potencia de velocidad variable y silenciosa para circular el agua y crear la acción calmante del hidromasaje.
- **Jets ajustables** - Colocados de manera que optimizan el efecto del hidromasaje, los jets le permiten ajustar el flujo de aire y agua, así como controlar la dirección del flujo como usted lo desee.

## Componentes (cont.)

- **Calentador** - Diseñado para ayudar a mantener automáticamente la temperatura del agua en hasta 104°F (40°C) para aumentar el placer de la experiencia del hidromasaje. El calentador se enciende automáticamente cuando la bañera de hidromasaje está en funcionamiento y se apaga cuando el motor bomba se apaga. El calentador se puede apagar con el teclado en cualquier momento mientras la bomba esté funcionando.



## Funcionamiento

### Teclado

<b>Encendido/ Apagado principal</b>	Enciende y apaga la bomba de la bañera de hidromasaje.
<b>Flecha hacia arriba</b>	Aumenta el flujo de agua.
<b>Flecha hacia abajo</b>	Disminuye el flujo de agua.
<b>Calentador</b>	Se enciende automáticamente cuando la se enciende la bomba de hidromasaje. Oprima el botón del calentador una vez para apagarlo. Oprima el botón por segunda vez para volver a encender el calentador.
<b>Barra indicadora</b>	Muestra el caudal del flujo de agua.

### Bañera de hidromasaje

- Gire la guarnición del jet totalmente hacia la izquierda. Coloque las boquillas de los jets de manera que miren hacia abajo en la bañera.

**AVISO:** La temperatura del agua en la bañera no debe exceder los 104°F (40°C). El calentador mantendrá automáticamente la temperatura del agua mientras la bañera de hidromasaje esté en funcionamiento, siempre y cuando la temperatura no sobrepase los 104°F (40°C). El calentador se apagará a temperaturas superiores.

- Cierre el desagüe, luego llene la bañera de hidromasaje a un nivel de por lo menos 2" (5,1 cm) arriba del jet más alto. Pruebe la temperatura del agua con la mano para su confort y seguridad. Entre con cuidado a la bañera.
- Oprima el icono de encendido/apagado para encender la bomba de hidromasaje y el calentador. El agua fluirá a un caudal medio.
- Presione los iconos de las flechas hacia arriba/abajo para aumentar o disminuir el flujo de agua. La barra indicadora mostrará el caudal de flujo de agua.
- Ajuste los jets para obtener una mezcla óptima de aire/agua. Gire la guarnición del jet hacia la derecha para reducir el flujo o hacia la izquierda para aumentarlo. Si desea, oriente las boquillas de los jets para dirigir el flujo de agua y aprovechar al máximo la experiencia del hidromasaje.
- Si desea, apague el calentador presionando el icono del calentador. Oprima el botón por segunda vez para volver a encender el calentador.
- Oprima el icono de encendido/apagado una segunda vez para apagar la bomba de hidromasaje y el calentador.



## Funcionamiento (cont.)

**NOTA:** La bomba y el calentador se apagarán automáticamente tras 20 minutos de funcionamiento continuo. Si desea, oprima el icono de encendido/apagado para volver a activar la bomba y el calentador.

- Salga con cuidado de la bañera, luego abra el desagüe para vaciar la bañera de hidromasaje.

**NOTA:** Si la bañera de hidromasaje no funciona correctamente, consulte la sección "para resolver problemas" de esta guía antes de llamar a un representante de servicio calificado.

## Cuidado y limpieza

Para obtener los mejores resultados, tenga presente lo siguiente al limpiar su producto KOHLER:

- Siempre pruebe la solución de limpieza en un área oculta antes de aplicarla a toda la superficie.
- Limpie con un trapo las superficies y enjuague completa e inmediatamente con agua después de aplicar el limpiador. Enjuague y seque las superficies cercanas que se hayan rociado.
- No deje por tiempo prolongado los limpiadores en las superficies.
- Utilice una esponja o trapo suave y húmedo. Nunca utilice materiales abrasivos como cepillos o estropajos de tallar para limpiar las superficies.

Para obtener información detallada de limpieza y los limpiadores a considerar, visite [www.kohler.com/clean](http://www.kohler.com/clean). Para solicitar información sobre el cuidado y la limpieza, llame al 1-800-456-4537.

## Limpieza del sistema de hidromasaje

**NOTA:** Limpie el sistema de hidromasaje dos o más veces al mes, dependiendo del uso.

- Gire los anillos decorativos de los jets totalmente hacia la derecha para eliminar la inducción de aire.
- Llene la bañera con agua tibia hasta que sobrepase 2" (5,1 cm) como mínimo por encima de los jets más altos o deje agua en la bañera cuando termine de usarla.
- Añada al agua 2 cucharaditas (10 ml) de detergente para lavaplatos automática que espume poco y 20 onzas (590 ml) de blanqueador para uso doméstico (5% - 6% hipoclorito sódico).
- Haga funcionar la bañera de hidromasaje de 5 a 10 minutos. Luego, apague y vacíe la bañera.
- Si lo desea, enjuague las superficies de la bañera con agua.
- Enjuague las superficies de los jets, la grifería, las agarraderas y el desagüe y seque con un paño suave.

## Garantía limitada de un año

### GARANTÍA LIMITADA DE UN AÑO

Se garantiza que los productos de plomería KOHLER están libres de defectos de material y mano de obra por un año a partir de la fecha de instalación.

Kohler Co., a su criterio, reparará, reemplazará o realizará los ajustes pertinentes en los casos en que la inspección realizada por Kohler Co. determine que dichos defectos ocurrieron durante el uso normal en el transcurso de un (1) año a partir de la fecha de la instalación. Kohler Co. no se hace responsable de los gastos de desinstalación o instalación. **El uso de limpiadores de inodoro que se colocan dentro del tanque anulará la garantía.**

Para obtener el servicio de garantía, comuníquese con Kohler Co. a través de su distribuidor, contratista de plomería o distribuidor a través de Internet, o escriba directamente a: Kohler Co., Attn.: Customer Care Center, 444 Highland Drive, Kohler, WI 53044, U.S.A. o llame al 1-800-4KOHLER (1-800-456-4537) desde los Estados Unidos y Canadá, o al 001-877-680-1310 desde México.

**TODA GARANTÍA IMPLÍCITA EN RELACIÓN A PRODUCTOS DE USO COMERCIAL, INCLUYENDO LA COMERCIALIZACIÓN E IDONEIDAD DEL PRODUCTO PARA UN USO DETERMINADO, SE LIMITA EXPRESAMENTE A LA DURACIÓN DE LA PRESENTE GARANTÍA. KOHLER CO. Y/O EL**

## **Garantía limitada de un año (cont.)**

**VENDEDOR NO SE HACEN RESPONSABLES POR CONCEPTO DE DAÑOS PARTICULARES, INCIDENTALES O INDIRECTOS.** Algunos estados/provincias no permiten limitaciones en cuanto a la duración de una garantía implícita o a la exclusión o limitación de daños particulares, incidentales o indirectos, por lo que estas limitaciones y exclusiones pueden no aplicar a su caso. Esta garantía le otorga ciertos derechos legales específicos. Además, usted puede tener otros derechos que varían de estado a estado y provincia a provincia.

**El presente documento constituye la garantía exclusiva por escrito de Kohler Co.**

## **Garantía de un año**

KOHLER CO.

Al adquirir el producto, se recomienda verificar que todos los accesorios y componentes estén completos en la caja.

Kohler Co. garantiza que el material y la mano de obra de este producto están libres de defectos, por un (1) año, a partir de la fecha de compra que aparece en la factura o recibo.

1. Kohler Co. prestará servicio únicamente a los productos comercializados a través de sus distribuidores autorizados.

2. A fin de obtener el servicio de garantía, favor de presentar la factura de compra y la garantía correspondiente.

3. Kohler Co., a través de sus distribuidores autorizados, se compromete a reparar el producto defectuoso o a reemplazarlo por uno nuevo o equivalente (en caso de que el producto esté descontinuado) cuando no sea posible la reparación, sin ningún cargo al consumidor.

4. El tiempo de reparación no excederá de seis (6) semanas, a partir de la fecha de recepción del producto.

5. Se recomienda al consumidor que conserve el recibo o factura de compra como protección adicional, pues el mismo puede sustituir a la garantía, en caso de que exista discrepancia en cuanto a la validez de la misma.

### **EXCEPCIONES Y RESTRICCIONES**

La garantía no tendrá validez en los siguientes casos:

1. Cuando el producto no se haya utilizado conforme a las instrucciones de uso y funcionamiento incluidas en el manual del usuario o en las instrucciones de instalación y cuando no se hayan observado las recomendaciones y advertencias allí contenidas.

2. Cuando el producto se haya modificado o desmantelado parcial o totalmente; o manipulado de manera negligente y, como consecuencia, haya sufrido daños atribuibles al consumidor, persona o herrajes no autorizados por Kohler Co.

3. Esta garantía no cubre los daños que resulten de desastres naturales, tales como incendios o casos de fuerza mayor, incluyendo inundaciones, terremotos, tormentas eléctricas, etc. Para obtener una lista de distribuidores cerca de usted y así hacer valer sus derechos bajo esta garantía, llame al 001-877-680-1310.

KOHLER CO., KOHLER, WI 53044 U.S.A.

### **IMPORTADOR:**

INTERNACIONAL DE CERÁMICA, S.A.B. DE C.V.

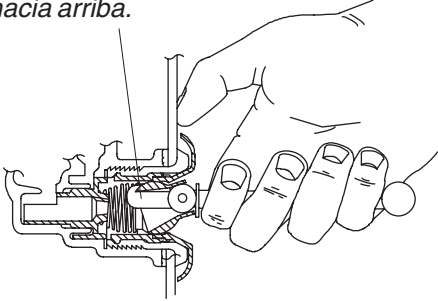
AV. CARLOS PACHECO NO. 7200

CHIHUAHUA, CHIH., MÉXICO C.P. 31060

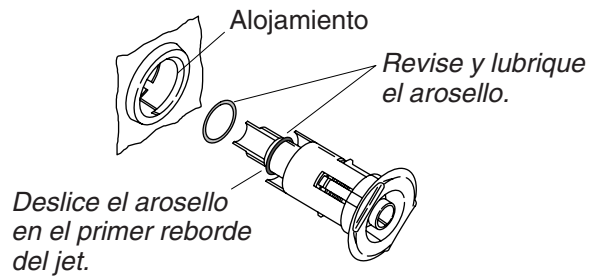
TEL: 52 (14) 29-11-11

### Extraiga los jets

Inserte el gancho de la herramienta tal como se ilustra y saque el jet del alojamiento. Al realizar este paso el jet debe estar orientado hacia arriba.



### Vuelva a instalar los jets



Inserte el jet en el alojamiento, empuje y gire el jet levemente hasta que encaje en su lugar.

## Procedimiento para resolver problemas

**AVISO:** Esta sección es sólo para ayuda general. Un representante de servicio autorizado de Kohler o un electricista calificado debe resolver todos los problemas eléctricos. Para obtener servicio cubierto por la garantía, póngase en contacto con el vendedor o el distribuidor mayorista.

### Extraiga los jets

**NOTA:** La herramienta para jets (provista con el kit de guarnición y bañera de hidromasaje) le permitirá retirar los jets de la bañera de hidromasaje.

- Coloque la boquilla de bola del jet hacia arriba. Esto asegurará que la herramienta para jets no se resbale.
- Con el gancho de la herramienta para jets hacia arriba, inserte la herramienta para jets en la abertura del jet y enganche la parte superior interior de la boquilla.
- Sostenga la herramienta para jets con fuerza y coloque el dedo pulgar contra la pared de la bañera de hidromasaje. Jale la herramienta para jets uniformemente hasta que el montaje del jet salga del orificio. Tenga cuidado de no perder el arosello (O-ring).

### Vuelva a instalar los jets

**NOTA:** Para permitir que el jet gire fácilmente y funcione correctamente, el arosello (O-ring) debe estar: (1) bien colocado, (2) lubricado y (3) en buenas condiciones.

- Instale el arosello (O-ring) en el **primer reborde** del jet. Utilice el paquete del tubo de silicona (provisto) para lubricar el arosello con el fin de evitar un funcionamiento ruidoso del jet.
- Inserte con cuidado el jet en el alojamiento, luego empuje levemente y gire el jet hasta que encaje en su lugar. **No fuerce el jet.**
- Verifique que el jet esté instalado correctamente. El jet debe girar sin problemas en ambos sentidos. Retire y vuelva a instalar, si es necesario.

Síntomas	Causas probables	Acción recomendada
1. El teclado no se ilumina cuando se oprime el botón de encendido o se hace girar el anillo externo.	<b>A.</b> El control no tiene alimentación eléctrica. <b>B.</b> El interruptor GFCI o RCD se ha disparado.	<b>A.</b> Verifique el cableado y conecte el suministro eléctrico. <b>B.</b> Oprima el botón de restablecer el interruptor GFCI o RCD.

**Procedimiento para resolver problemas (cont.)**

<b>Síntomas</b>	<b>Causas probables</b>	<b>Acción recomendada</b>
	<p>C. El arnés de cables del teclado al control está suelto, desconectado o dañado.</p> <p>D. El teclado no funciona.</p> <p>E. El control no funciona.</p>	<p>C. Revise que los cables estén correctamente conectados. Reemplace el arnés de cables de ser necesario.</p> <p>D. Reemplace el teclado.</p> <p>E. Reemplace el control.</p>
2. El motor se enciende, pero no todos los jets funcionan.	<p>A. El jet está cerrado.</p> <p>B. El jet no está instalado correctamente.</p> <p>C. Los jets están obstruidos.</p>	<p>A. Gire la guarnición del jet hacia la izquierda para abrirlo.</p> <p>B. Vuelva a instalar el jet; revise que el arosello (O-ring) no esté dañado.</p> <p>C. Elimine la obstrucción.</p>
3. El teclado está iluminado, pero no responde a los botones o anillo externo.	<p>A. El programa del control está bloqueado.</p> <p>B. El arnés de cables del teclado al control está suelto, desconectado o dañado.</p> <p>C. El teclado no funciona.</p> <p>D. El control no funciona.</p>	<p>A. Oprima el botón de restablecer el interruptor GFCI o RCD.</p> <p>B. Revise que los cables estén correctamente conectados. Reemplace el arnés de cables de ser necesario.</p> <p>C. Reemplace el teclado.</p> <p>D. Reemplace el control.</p>
4. Al encender la unidad, la barra indicadora del teclado continúa en modo de búsqueda.	<p>A. El programa del control está bloqueado.</p> <p>B. El arnés de cables del teclado al control está suelto, desconectado o dañado.</p> <p>C. El teclado no funciona.</p> <p>D. El control no funciona.</p>	<p>A. Oprima el botón de restablecer el interruptor GFCI o RCD.</p> <p>B. Revise que los cables estén correctamente conectados. Reemplace el arnés de cables de ser necesario.</p> <p>C. Reemplace el teclado.</p> <p>D. Reemplace el control.</p>
5. El teclado está iluminado pero la bomba no se enciende.	<p>A. El cable eléctrico de la bomba al control está suelto, desconectado o dañado.</p> <p>B. La bomba no funciona.</p> <p>C. El control no funciona.</p>	<p>A. Revise que los cables estén correctamente conectados.</p> <p>B. Reemplace la bomba.</p> <p>C. Reemplace el control.</p>
6. El motor funciona pero la bomba no hace el cebado (se produce cavitación).	<p>A. La bomba se ha acuñado demasiado.</p> <p>B. Pequeña fuga de aire en la entrada de la bomba.</p> <p>C. El motor/bomba no funciona.</p> <p>D. El control no funciona.</p>	<p>A. Baje la bomba/control al nivel del subpiso.</p> <p>B. Apriete firmemente la(s) tuerca(s) del lado de admisión de la bomba.</p> <p>C. Reemplace el motor/bomba.</p> <p>D. Reemplace el control.</p>
7. La bomba se detiene antes de funcionar durante 18 minutos.	<p>A. El interruptor GFCI o RCD se ha disparado.</p> <p>B. La succión está obstruida.</p> <p>C. Los jets están obstruidos.</p> <p>D. El motor se ha sobrecalentado, activando el dispositivo de protección.</p>	<p>A. Identifique la causa de la falla y corrija. Oprima el botón de restablecer el interruptor GFCI o RCD.</p> <p>B. Elimine la obstrucción.</p> <p>C. Elimine la obstrucción.</p> <p>D. Verifique que no haya obstrucciones en la succión y/o jets. Elimine la obstrucción y deje enfriar el motor.</p>

**Procedimiento para resolver problemas (cont.)**

<b>Síntomas</b>	<b>Causas probables</b>	<b>Acción recomendada</b>
8. La bomba no se apaga automáticamente después de 22 minutos.	A. El temporizador de 20 minutos se ha desactivado inadvertidamente.	A. Consulte el manual de mantenimiento.
9. La bomba no se apaga cuando se oprime el botón de encendido/apagado en el teclado.	A. El teclado no funciona.	A. Reemplace el teclado.
	B. El control no funciona.	B. Reemplace el control.
10. La bomba funciona pero la opción de velocidad variable no funciona.	A. El motor/bomba no funciona.	A. Reemplace el motor/bomba.
	B. El control no funciona.	B. Reemplace el control.
11. El agua de la bañera se enfría mientras la bomba está funcionando.	A. La temperatura del agua sobrepasa los 104°F (40°C).	A. Deje enfriar el agua de la bañera.
	B. El botón del calentador está apagado en el teclado.	B. Encienda el calentador.
	C. El cable del calentador al control está suelto, desconectado o dañado.	C. Revise que los cables estén correctamente conectados.
	D. El calentador no funciona.	D. Reemplace el calentador.
	E. El control no funciona.	E. Reemplace el control.
12. Funcionamiento ruidoso.	A. Las cintas metálicas de la bomba no se han cortado.	A. Corte las cintas metálicas con unas tijeras para chapa.
	B. El arosello (O-ring) del jet está mal colocado o seco (ruidoso).	B. Extraiga el jet, reemplace y lubrique el arosello (O-ring); vuelva a instalar el jet.

**1003065**

Herramienta para extraer la brida de succión



**73518**

Tapón



**93685**

Alojamiento



**96708**

Brida



**65886** (Acrílico y fibra de vidrio)

**60050** (Hierro fundido)

Empaque



**65054\*\***

Tornillo



**96895\*\*** (Acabados de color)

**65061\*\*** (Acabados metálicos)

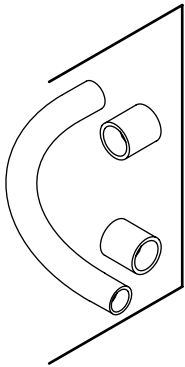
Tapá



**65226\*\***

Tapón de la tapa de succión

Tapón de la tapa de succión



**93836** (1/2")

**93837** (3/4")

**93838** (1")

**93839** (1-1/4")

**94853** (1-1/2")

Tubo (con acopladores)

**91967**

Válvula de retención



**1086350**

Llave de extracción de bridas



**67665**

Tapón



**67429**

Brida



**67889**

Alojamiento del jet

**65885** (Acrílico y fibra de vidrio)

**67668** (Hierro fundido)

Empaque



**34353**

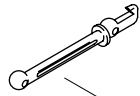
Arosello



**1045715-P**  
Paquete de lubricante de silicona

**30739**

Herramienta del jet



**Un solo jet para bañeras de hidromasaje con 5 o menos jets**

**88532\*\*** (Acabados de color)

**88531\*\*** (Acabados metálicos)

Jet

**Un solo jet para bañeras de hidromasaje con 6 o más jets**

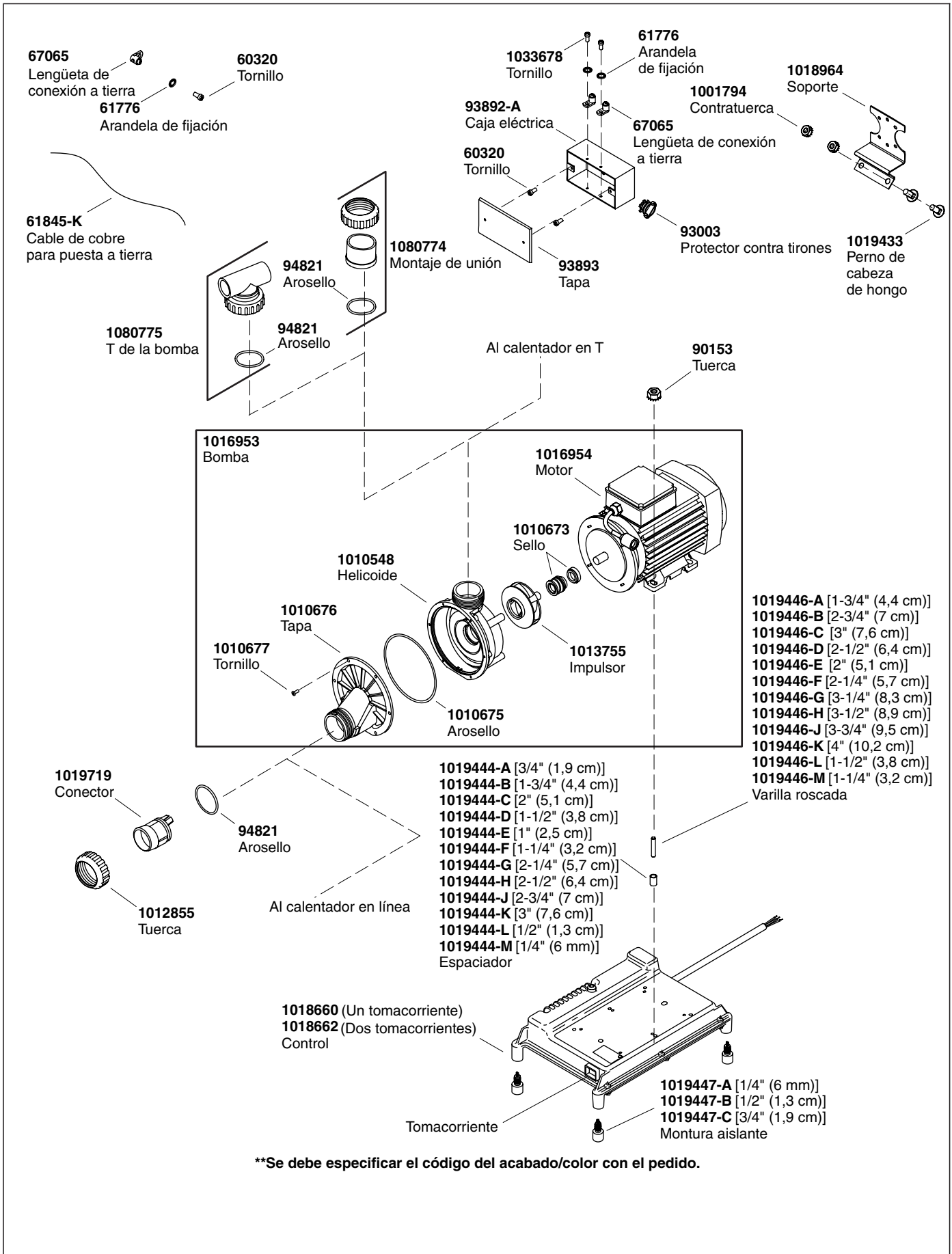
**88530\*\*** (Acabados de color)

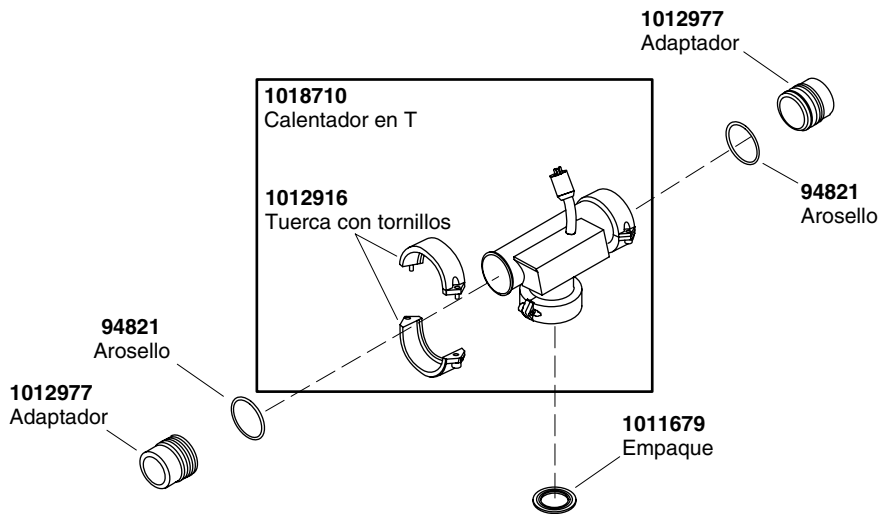
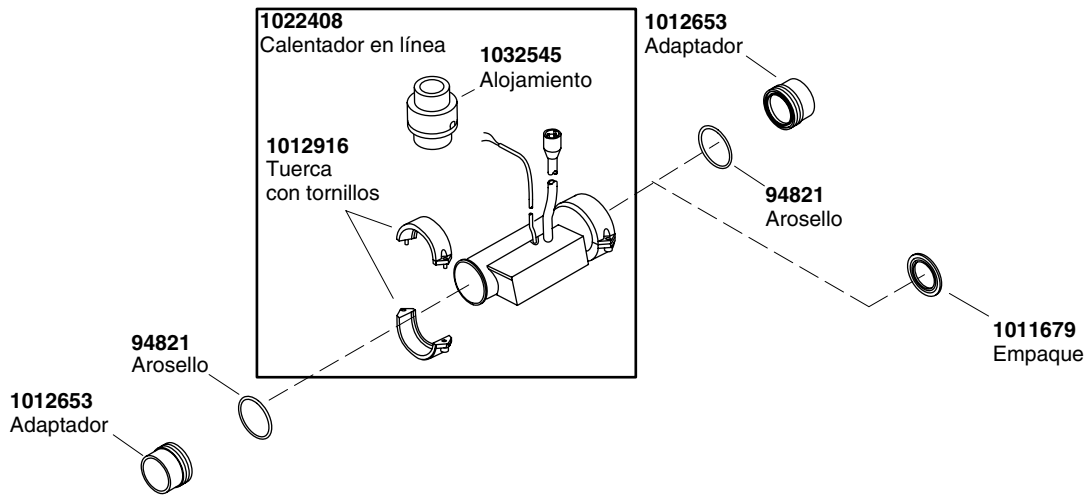
**88529\*\*** (Acabados metálicos)

Jet

\*\*Se debe especificar el código del acabado/color con el pedido.

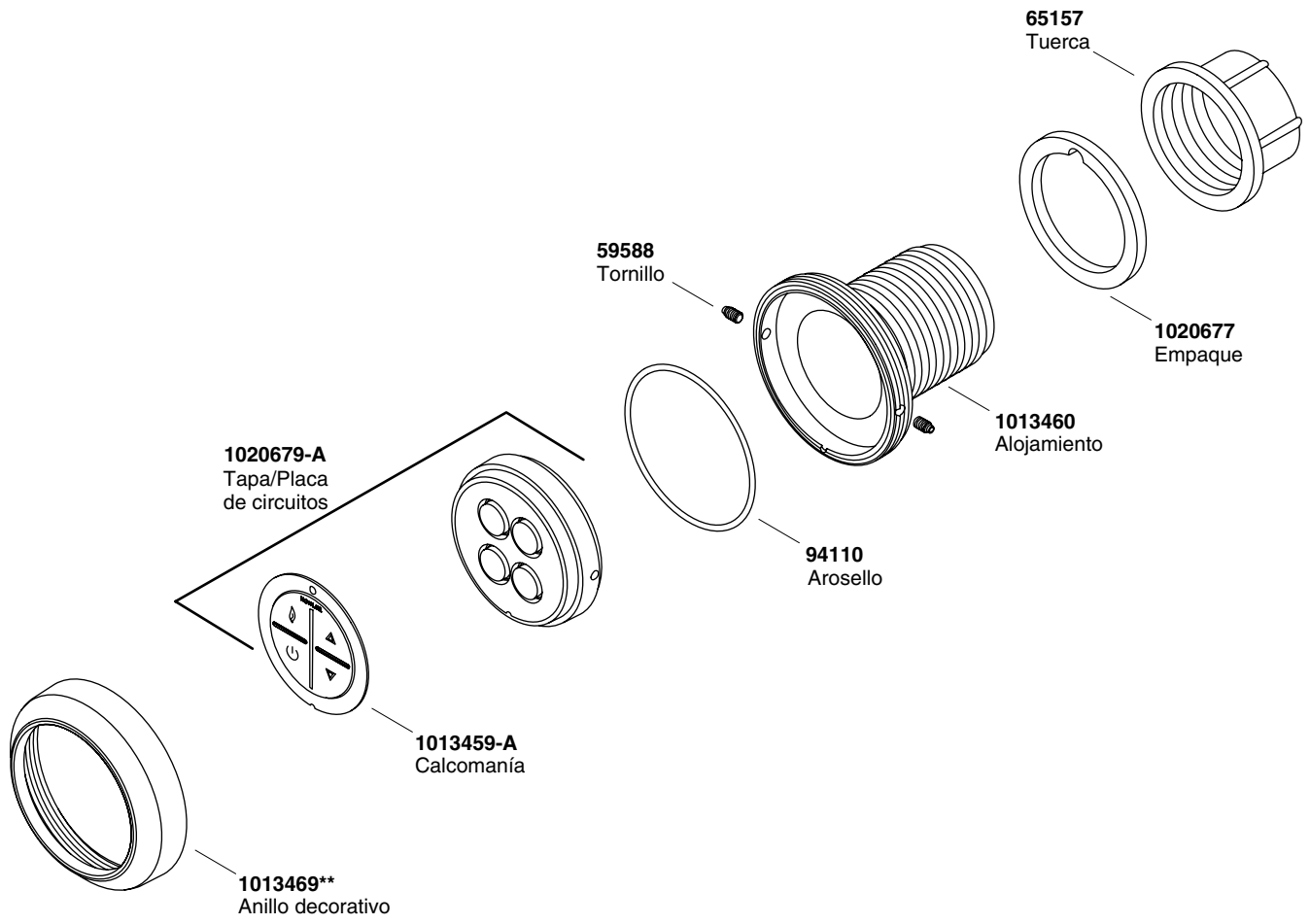
## Piezas de repuesto



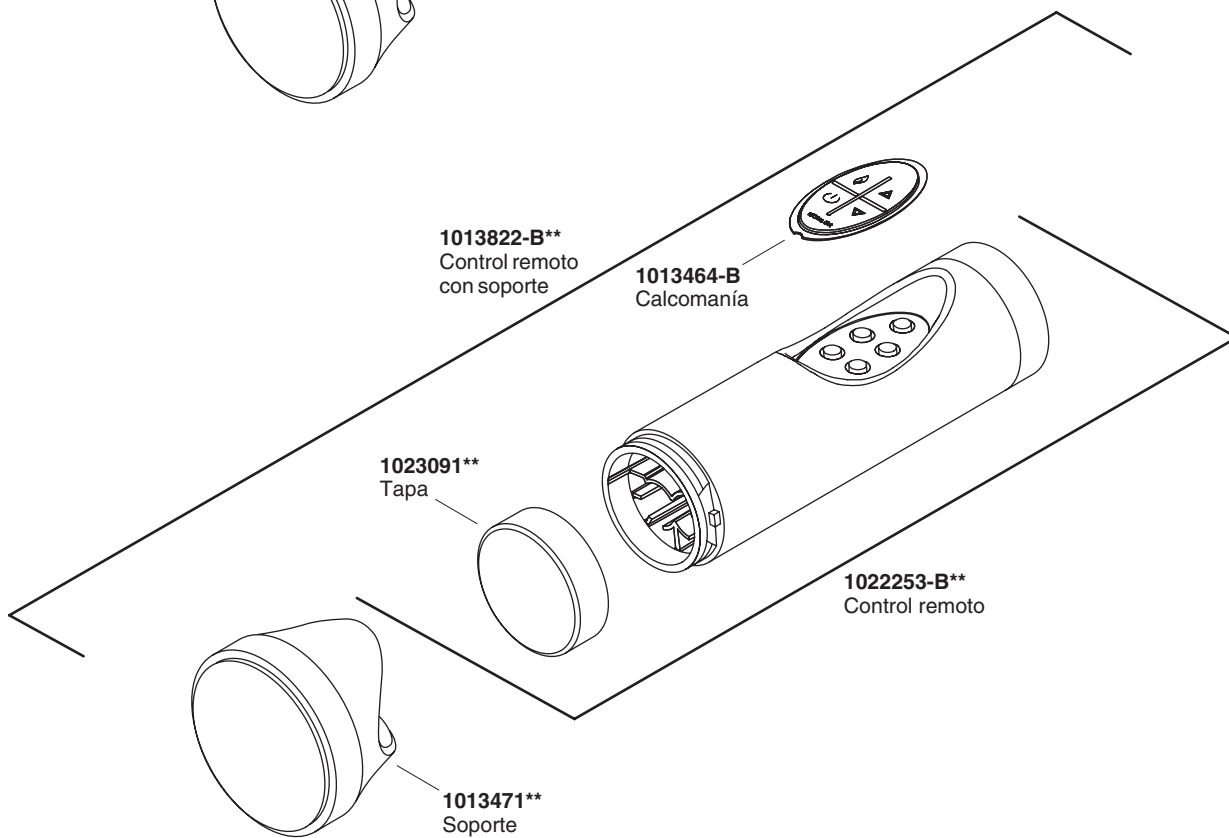
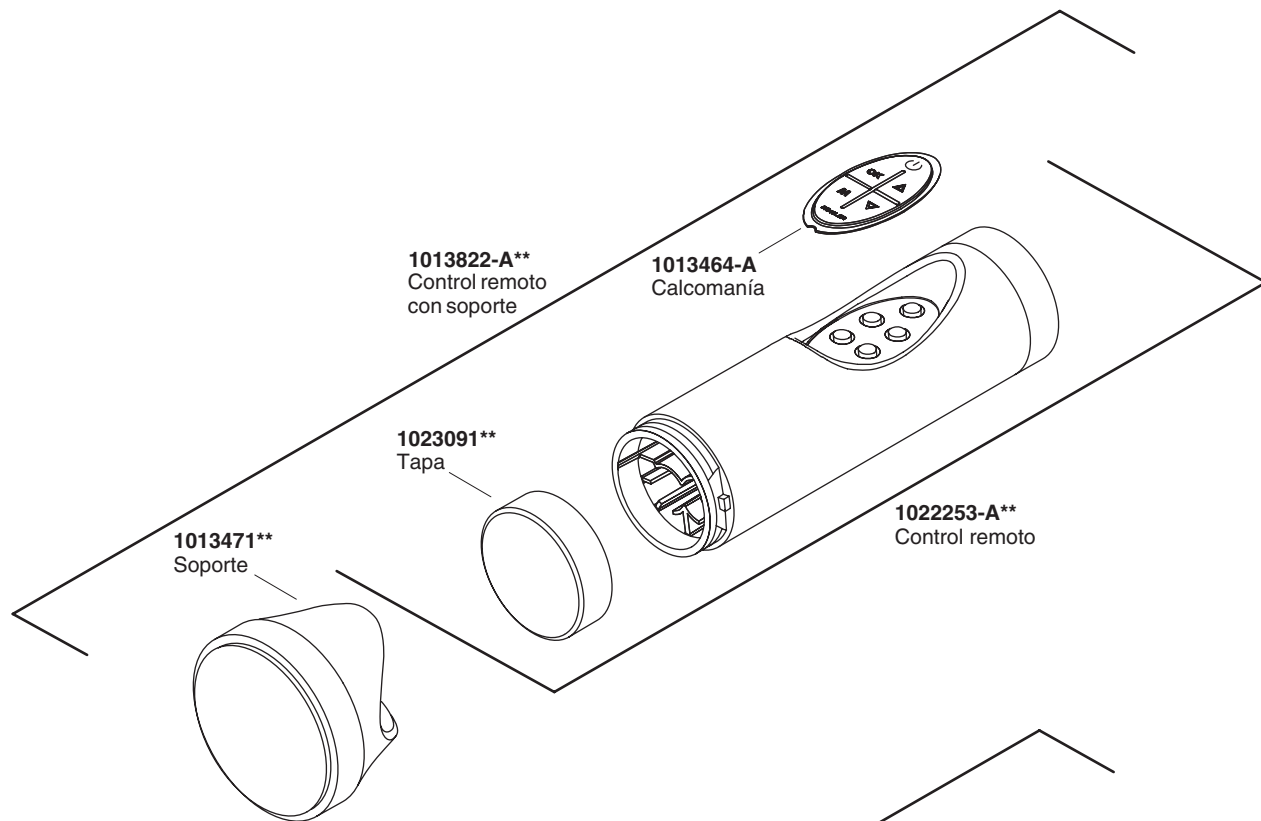


**\*\*Se debe especificar el código del acabado/color con el pedido.**





**\*\*Se debe especificar el código del acabado/color con el pedido.**



**\*\*Se debe especificar el código del acabado/color con el pedido.**



USA/Canada: 1-800-4KOHLER

México: 001-877-680-1310

[kohler.com](http://kohler.com)

THE BOLD LOOK  
OF **KOHLER**®

©2009 Kohler Co.

1033681-5-C