

Features

- Cast iron with Safeguard® finish
- Left or right drain
- Integral apron
- 66" (1676 mm) x 32" (813 mm) x 16-1/4" (413 mm)

BATH
K-515
ALSO K-516

ADA

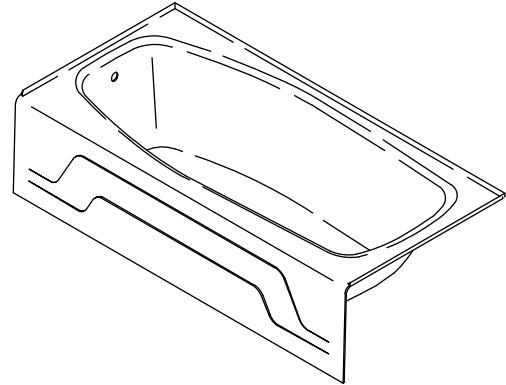
CSA B651

OBC

Codes/Standards Applicable

Specified model meets or exceeds the following:

- ADA
- ICC/ANSI A117.1
- CSA B651
- OBC
- ASME A112.19.1/CSA B45.2



Colors/Finishes

- 0: White
- Other: Refer to Price Book for additional colors/finishes

Accessories

- 0: White
- CP: Polished Chrome
- PB: Vibrant® Polished Brass
- Other: Refer to Price Book for additional colors/finishes

Specified Model

Model	Description	Colors/Finishes	
K-515	Bath – left drain	<input type="checkbox"/> 0	<input type="checkbox"/> Other_____
K-516	Bath – right drain	<input type="checkbox"/> 0	<input type="checkbox"/> Other_____
Recommended Accessories			
K-7160-TF	Clearflo adjustable pop-up drain – through-the-floor installation	<input type="checkbox"/> CP	<input type="checkbox"/> PB <input type="checkbox"/> Other_____
Optional Accessories			
K-1491	Pillow	<input type="checkbox"/> 0	<input type="checkbox"/> Other_____
K-1601	Footstop	<input type="checkbox"/> 0	<input type="checkbox"/> Other_____

Product Specification

The bath shall be made of cast iron with a Safeguard finish. Bath shall be 66" (1676 mm) in length, 32" (813 mm) in width, and 16-1/4" (413 mm) in height. Bath shall feature an integral apron. Bath shall be available with a left or right drain. The bath shall be Kohler Model K-____-____.

DYNAMETRIC®

Technical Information

Fixture*:	
Basin area:	
Bathing well	47" (1194 mm) x 22" (559 mm)
Top area	60" (1524 mm) x 25" (635 mm)
Weight	376 lbs (170.6 kg)
To overflow:	
Water depth	10-7/8" (276 mm)
Capacity	47 gal (177.9 L)
* Approximate measurements for comparison only.	

Installation Notes

Install this product according to the installation guide.

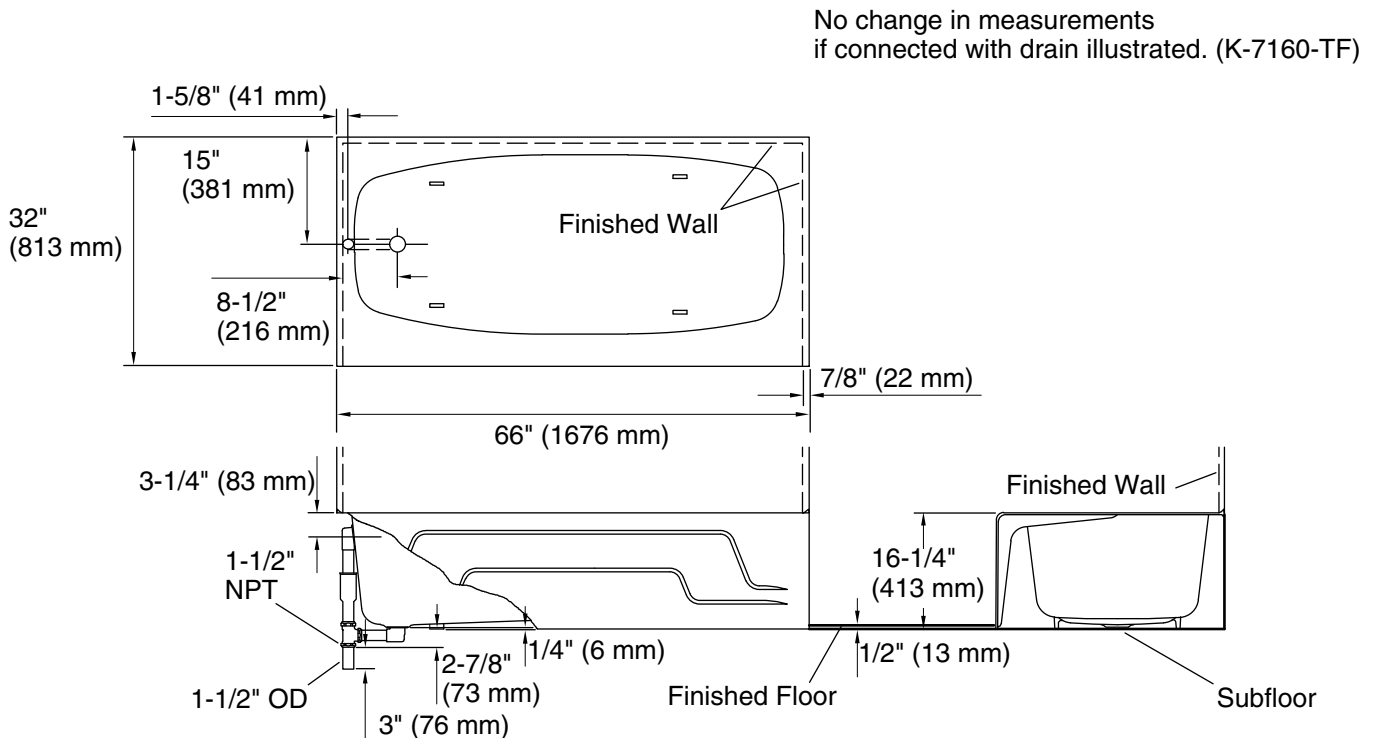
NOTICE: By design, the apron is not perpendicular. The bottom edge of the apron angles out approximately 3/4" (19 mm) from the top of the rim.

Floor support under bath must provide for a minimum of 54 lbs/square foot (264 kg/square meter) loading.

Will comply with **ADA** when installed per Section 607 Bathtubs of the Act.

Will comply with **CSA B651** when installed per Clause 4.4.7 of the standard.

will comply with **OBC** when installed per Clause 3.8.3.13.



Product Diagram