

Features

- Vitreous china
- Under-mount
- With overflow
- Without faucet hole(s)
- Includes 1193643 clamp assembly
- 19-5/16" (491 mm) x 14" (356 mm) x 5" (127 mm)

UNDER-MOUNT BATHROOM SINK K-2382

ADA

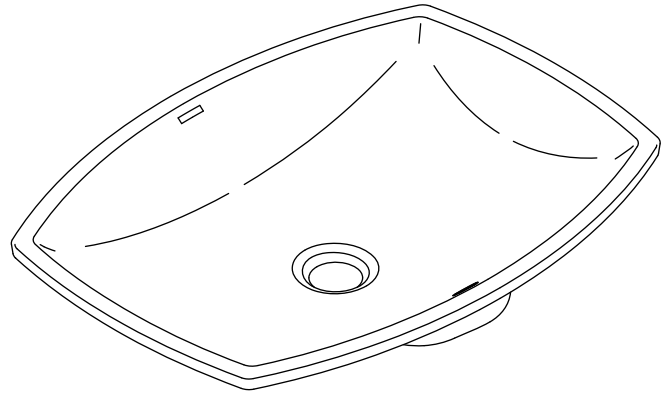
CSA B651

OBC

Codes/Standards Applicable

Specified model meets or exceeds the following:

- ADA
- ICC/ANSI A117.1
- CSA B651
- OBC
- ASME A112.19.2/CSA B45.1



Colors/Finishes

- 0: White
- Other: Refer to Price Book for additional colors/finishes

Accessories

- CP: Polished Chrome
- Other: Refer to Price Book for additional colors/finishes

Specified Model

Model	Description	Colors/Finishes	
K-2382	Under-mount bathroom sink	<input type="checkbox"/> 0	<input type="checkbox"/> Other_____

Recommended Accessories			
K-8998	Adjustable P-trap	<input type="checkbox"/> CP	<input type="checkbox"/> Other_____

Product Specification

The under-mount bathroom sink shall be made of vitreous china. Bathroom sink shall be 19-5/16" (491 mm) in length, 14" (356 mm) in width, and 5" (127 mm) in depth. Bathroom sink shall be with overflow and without faucet hole(s). Bathroom sink shall include 1193643 clamp assembly. Bathroom sink shall be Kohler Model K-2382-_____.

KELSTON®

Technical Information

Fixture*:	
Basin area	19-5/16" (491 mm) x 14" (356 mm)
Water depth	1-7/8" (48 mm)
Drain hole	Ø 1-3/4" (44 mm)
* Approximate measurements for comparison only.	
Cutout template	1086495-7
Included components:	
Basin clamp assembly	1193643

Installation Notes

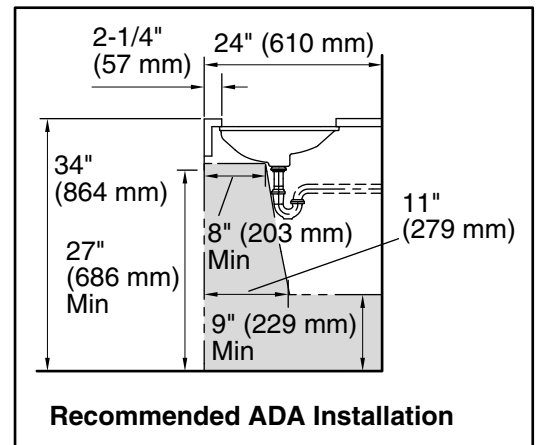
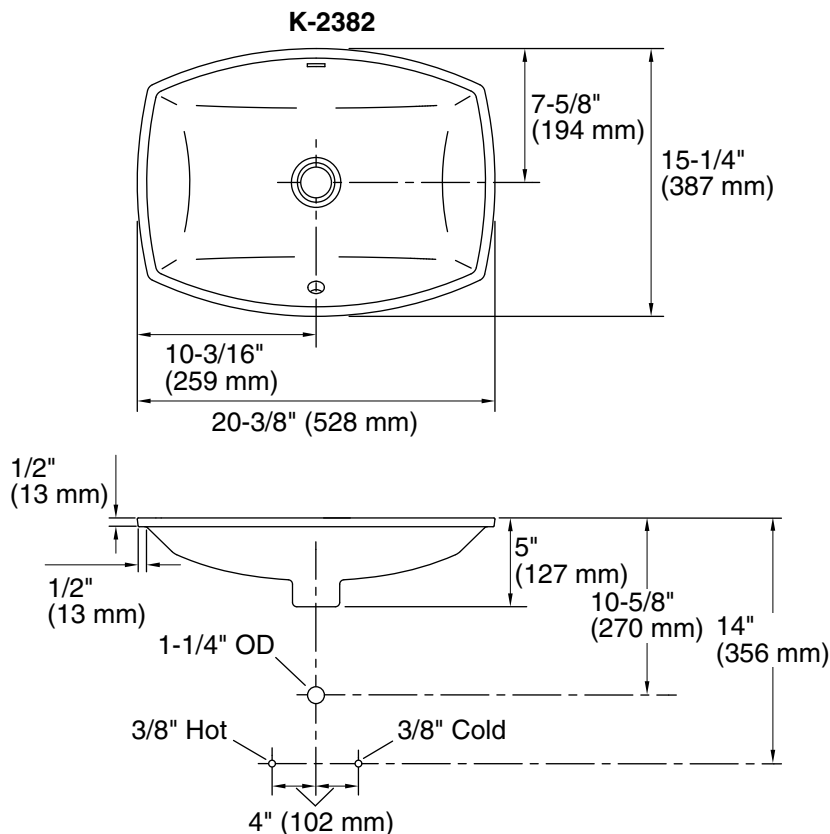
Install this product according to the installation guide.

NOTICE: Countertop manufacturer or cutter must use the current product template available at www.kohler.com, or by calling 1-800-4KOHLER. Kohler Co. is not responsible for cutout errors when the incorrect cutout template is used.

Will comply with **ADA** when installed per Section 606 Lavatories and Sinks of the 2010 ADA Standards for Accessible Design.

Will comply with **CSA B651** when installed per Clause 4.3.3 of the standard.

Will comply with **OBC** when installed per Clause 3.8.3.11.



Product Diagram