

OVAL BATHROOM SINK K-2611

ADA

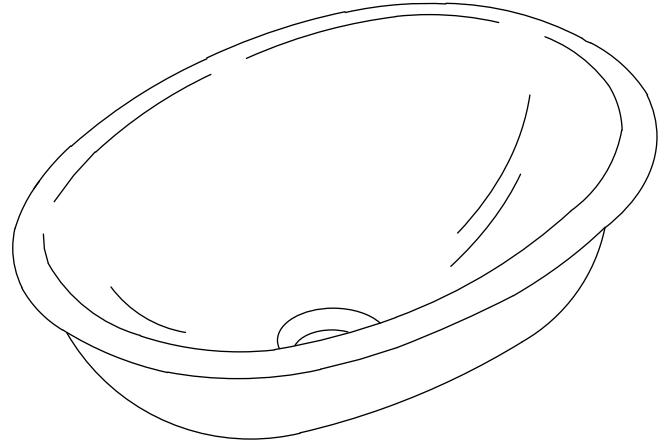
Features

- 20-gauge stainless steel
- Top-mount or under-mount
- Installation hardware included for each type of installation
- Without overflow
- Chrome plated brass tube and gasket included to cover the overflow hole in the drain assembly
- 16-3/4" (425 mm) x 11-3/4" (298 mm)

Codes/Standards Applicable

Specified model meets or exceeds the following:

- ASME A112.19.3/CSA B45.4
- ADA
- ICC/ANSI A117.1



Colors/Finishes

- NA: None applicable

Accessories

- CP: Polished Chrome
- Other: Refer to Price Book for additional colors/finishes

Specified Model

| Model | Description | Colors/Finishes | |
|-------------------------|------------------------------------|-----------------------------|-------------------------------------|
| K-2611-MU | Oval bathroom sink – mirror finish | <input type="checkbox"/> NA | |
| K-2611-SU | Oval bathroom sink – luster finish | <input type="checkbox"/> NA | |
| Recommended Accessories | | | |
| K-8998 | P-Trap | <input type="checkbox"/> CP | <input type="checkbox"/> Other_____ |

Product Specification

Oval bathroom sink shall be made of 20-gauge stainless steel. The bathroom sink shall be 16-3/4" (425 mm) in length and 11-3/4" (298 mm) in width. Bathroom sink shall be either drop-in or under-mount installation. Bathroom sink shall include hardware for both types of installation. Bathroom sink shall be without overflow. Bathroom sink shall have a chrome plated brass tube and drain gasket to cover the overflow hole in the faucet drain assembly. Bathroom sink shall be Kohler Model K-2611-_____-_____.

BOLERO®

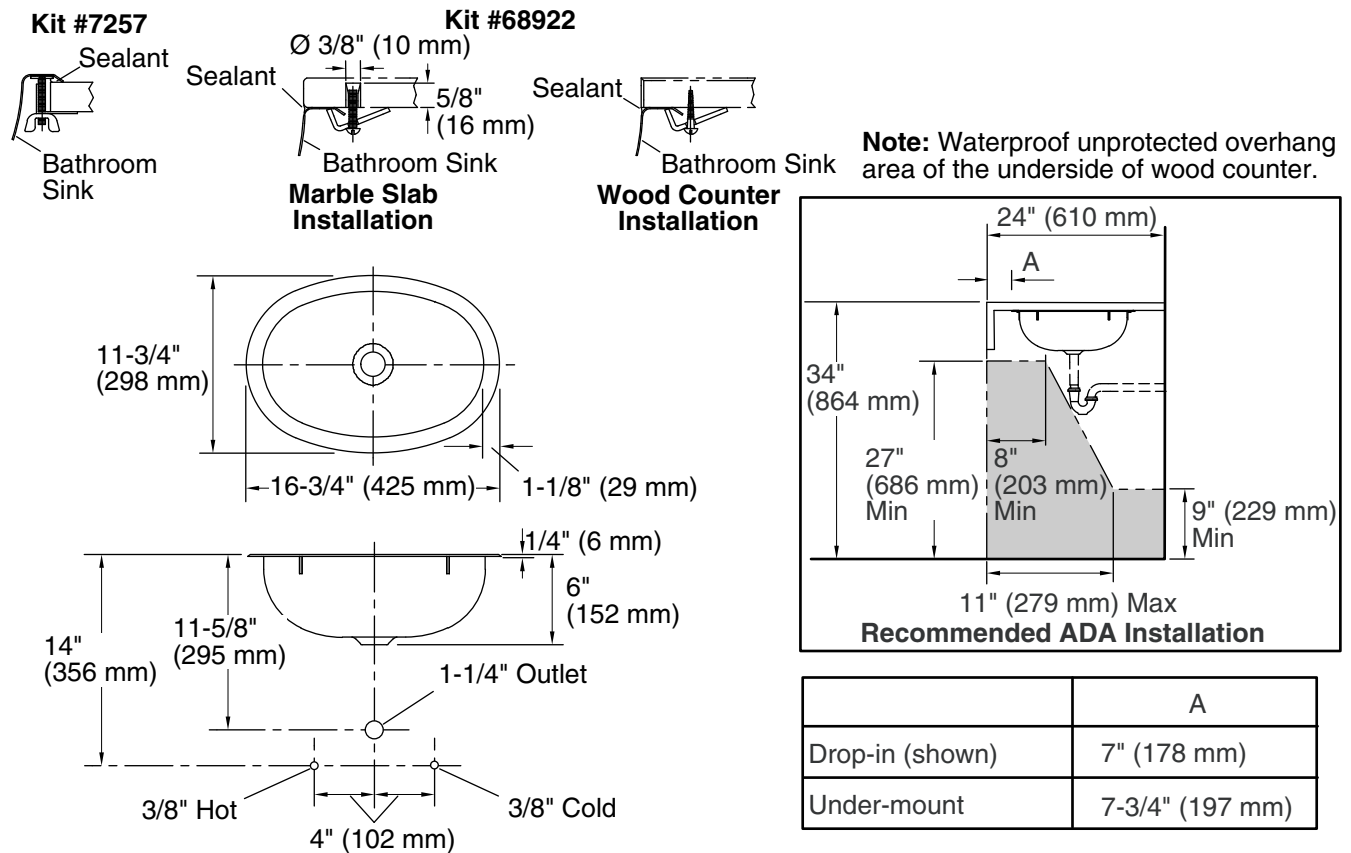
Technical Information

| | | |
|---|-----------------------------|-----------------|
| Fixture*: | Basin area | Water depth |
| Bathroom sink | 15" (381 mm) x 10" (254 mm) | 5-1/2" (140 mm) |
| Drain hole | Ø 1-5/8" (41 mm) | |
| * Approximate measurements for comparison only. | | |

| | |
|------------------------------------|------------|
| Included Components: | |
| Basin clamp assembly (under-mount) | 68922 |
| Basin clamp assembly (drop-in) | 7257 |
| Drain gasket | 33507 |
| Tube | 1011037-CP |
| Cut-out template | 111579-7 |

Installation Notes

Install this product according to the installation guide.
Will comply with **ADA** when installed per section 606 Lavatories of the Act.



Product Diagram