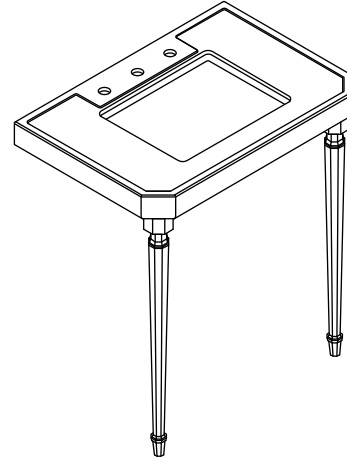


Features

- Fireclay
- Includes table frame
- Pre-cut for Kathryn® 17" (432 mm) x 13" (330 mm) under-mount bathroom sink (required)
- Pre-drilled for 10" (254 mm) widespread faucet
- 32" (813 mm) x 22" (559 mm) x 34" (864 mm)

FIRECLAY CONSOLE TABLETOP K-3020



Codes/Standards Applicable

Specified model meets or exceeds the following:

- ASME A112.19.2/CSA B45.1

Colors/Finishes

- 0: White
- Other: Refer to Price Book for additional colors/finishes

Accessories

- 0: White
- CP: Polished Chrome
- Other: Refer to Price Book for additional colors/finishes

Specified Model

Model	Description	Colors/Finishes	
K-3020	Kathryn® fireclay console tabletop with 10" (254 mm) faucet drilling	<input type="checkbox"/> 0	<input type="checkbox"/> Other_____

Required Accessories			
K-2330-G	Kathryn® 17" (432 mm) x 13" (330 mm) under-mount bathroom sink with glazed underside	<input type="checkbox"/> 0	<input type="checkbox"/> Other_____
K-6839	Kathryn® octagonal brass legs OR	<input type="checkbox"/> CP	<input type="checkbox"/> Other_____
K-2317-AF	Kathryn® octagonal fireclay/French gold brass legs OR	<input type="checkbox"/> 0	<input type="checkbox"/> Other_____
K-2317-BN	Kathryn® octagonal fireclay/brushed nickel brass legs OR	<input type="checkbox"/> 0	<input type="checkbox"/> Other_____
K-2317-CP	Kathryn® octagonal fireclay/polished chrome legs OR	<input type="checkbox"/> 0	<input type="checkbox"/> Other_____
K-2317-SN	Kathryn® octagonal fireclay/polished nickel legs OR	<input type="checkbox"/> 0	<input type="checkbox"/> Other_____
K-2318	Kathryn® square fireclay legs	<input type="checkbox"/> 0	<input type="checkbox"/> Other_____

Product Specification

The fireclay console tabletop shall be 32" (813 mm) in length, 22" (559 mm) in width and 34" (864 mm) in height. The console tabletop shall include table frame. The console tabletop shall be pre-cut for Kathryn® 17" (432 mm) x 13" (330 mm) under-mount bathroom sink, and pre-drilled for 10" (254 mm) widespread faucet. The console tabletop shall be Kohler Model K-3020-_____.

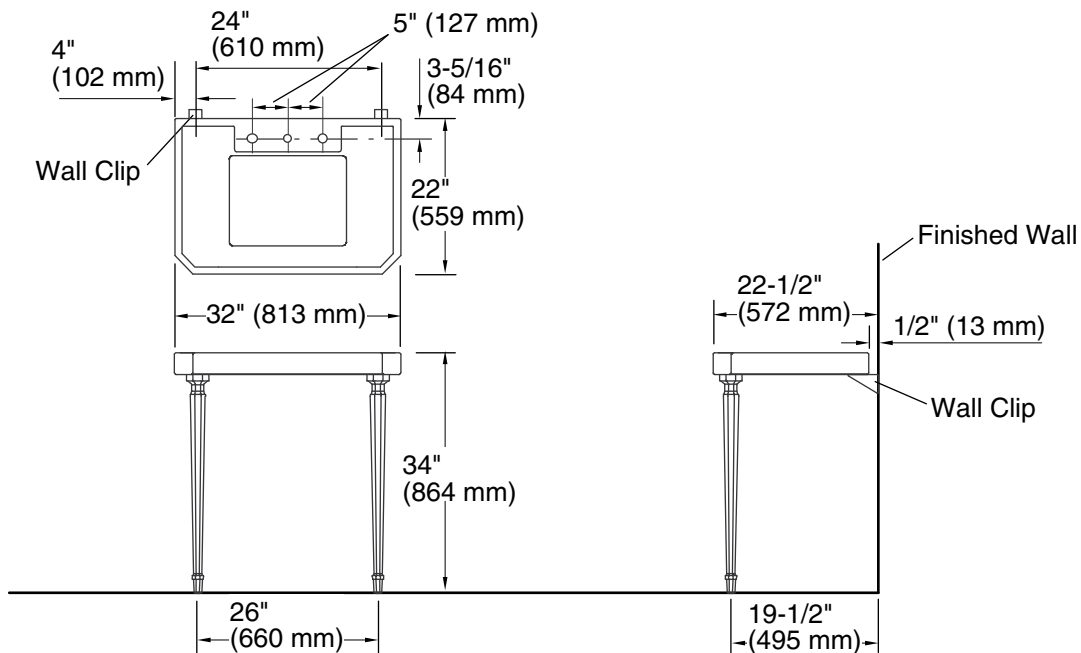
KATHRYN®

Installation Notes

Install this product according to the installation guide.

Product is installed with 1/2" (13 mm) gap between wall and console table.

Frame is included with K-3020.



Product Diagram