

Features

- 24-inch minimum base cabinet width.
- KOHLER cast iron.
- Acid-resistant enamel finish.
- Single bowl.
- Tile-in.
- Two faucet holes.
- 20" (508 mm) x 21" (533 mm).

Recommended Accessories

K-9000 P-Trap

Optional Accessories

K-8801 Sink Strainer



Codes/Standards





ASME A112.19.1/CSA B45.2

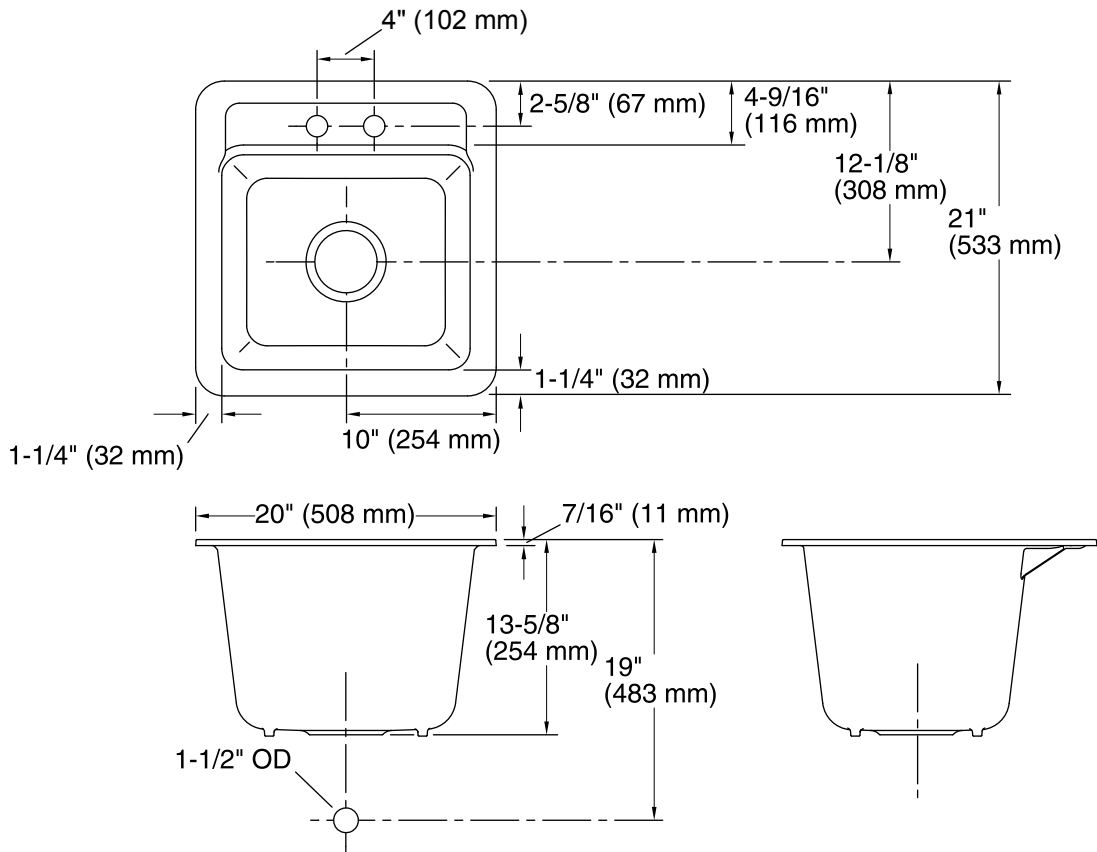
KOHLER® Enameled Cast Iron Kitchen Sink - Lifetime Limited Warranty

See website for detailed warranty information.

Available Color/Finishes

Color tiles intended for reference only.

| Color | Code | Description |
|--|------|--------------|
|  | 0 | White |
|  | 96 | Biscuit |
|  | 47 | Almond |
|  | 7 | Black Black™ |



Technical Information

All product dimensions are nominal.

- Bowl configuration: Single
- Installation: Tile-in
- Bowl area
 - Length: 17-1/2" (445 mm)
 - Width: 15-1/4" (387 mm)
 - Bowl depth: 12-1/2" (318 mm)
- Number of deck holes: 2
- Faucet hole(s): 1-3/8" (35 mm)
- Drain hole: 3-5/8" (92 mm)

Notes

Install this product according to the installation guide.