

BATH FAUCET TRIM

K-P15290

PROJECT PACK

ALSO K-P15294, K-300-K, K-301-K

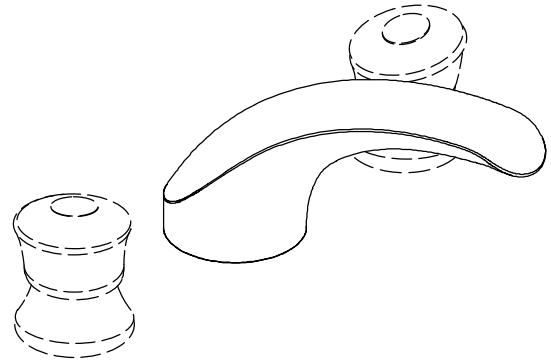
FEATURES

- Brass construction
- Bath- or Deck-mount
- 5-1/2" (14cm) and 8" (20.3cm) non-diverter spouts with slip-fit connection
- Acrylic and lever handles

CODES/STANDARDS APPLICABLE

Specified model meets or exceeds the following:


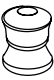
- ASME/ANSI A112.18.1M
- CSA International B125
- IAPMO/UPC

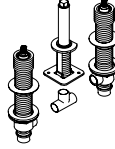
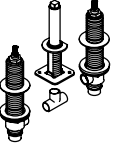


COLORS/FINISHES

- CP Polished Chrome
- PB Polished Brass
- Other Refer to Faucets Price Book for additional finishes

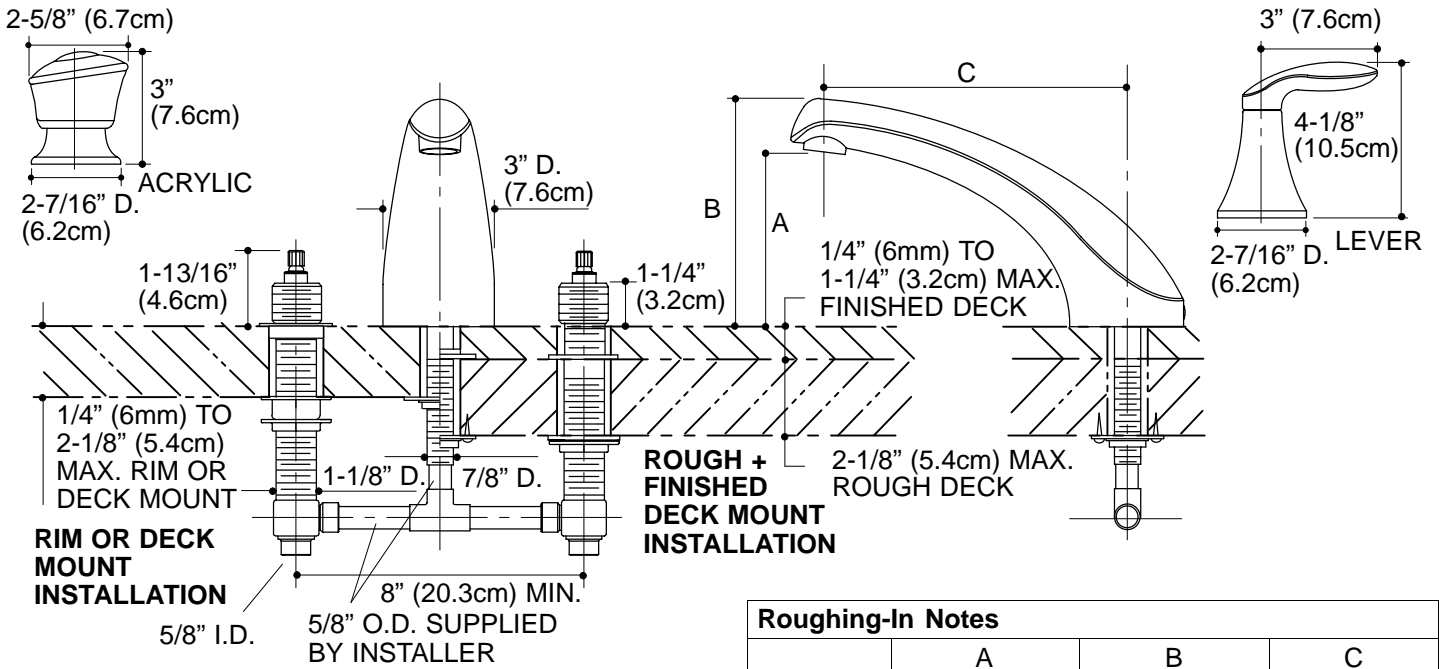
SPECIFIED MODEL: For complete faucet, both faucet trim and valve system must be specified.

Model	Description	ADA 					
		<input type="checkbox"/> CP	<input type="checkbox"/> PB	<input type="checkbox"/> Other____	<input type="checkbox"/> CP	<input type="checkbox"/> PB	<input type="checkbox"/> Other____
K-P15290-4	Lever Handle Deck-Mount High-Flow Bath Faucet Trim	<input type="checkbox"/> CP	<input type="checkbox"/> PB	<input type="checkbox"/> Other____			
K-P15290-7	Acrylic Handle Deck-Mount High-Flow Bath Faucet Trim				<input type="checkbox"/> CP	<input type="checkbox"/> PB	<input type="checkbox"/> Other____
K-P15294-4	Lever Handle Bath-Mount High-Flow Bath Faucet Trim	<input type="checkbox"/> CP	<input type="checkbox"/> PB	<input type="checkbox"/> Other____			
K-P15294-7	Acrylic Handle Bath-Mount High-Flow Bath Faucet Trim				<input type="checkbox"/> CP	<input type="checkbox"/> PB	<input type="checkbox"/> Other____

Required Accessory					
K-300-K	1/2" High-Flow Ceramic Disc Valve System	<input type="checkbox"/> NA			
K-301-K	3/4" High-Flow Ceramic Disc Valve System			<input type="checkbox"/> NA	

PRODUCT SPECIFICATION:

Two-handle bath- or deck-mount high-flow bath faucet trim shall be of brass construction. Product shall include a 5-1/2" (14cm) and an 8" (20.3cm) non-diverter spout with slip-fit connection. Product shall include acrylic and lever handles. Faucet trim shall be Kohler Model K-P_____ - _____ and valve system shall be Kohler Model K-_____ - _____-NA.



Roughing-In Notes			
	A	B	C
K-T15290	4-5/8" (11.7cm)	6" (15.2cm)	8" (20.3cm)
K-T15294	3-1/2" (8.9cm)	4-7/8" (12.4cm)	5-1/2" (14cm)

PRODUCT DIAGRAM