

**SHOWER FAUCET TRIM
K-P15611**

PROJECT PACK

ALSO K-304, K-306-KS, K-308

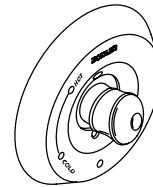
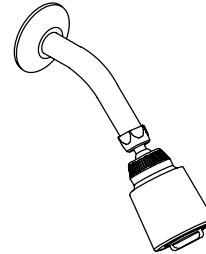
FEATURES

- Metal construction
- Acrylic handle
- Packaged 12 per case

CODES/STANDARDS APPLICABLE

Specified model meets or exceeds the following:

- ASME/ANSI A112.18.1M
- CSA International B125
- IAPMO/UPC listed

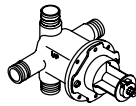
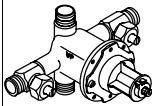
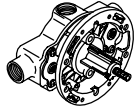


COLORS/FINISHES

- CP Polished Chrome
- PB Polished Brass
- Other Refer to Faucets Price Book for additional finishes

SPECIFIED MODEL: For complete faucet, both faucet trim and mixing valve must be specified.

| Model | Description | | | |
|-------------|--------------------------------------|-----------------------------|-----------------------------|-------------------------------------|
| K-P15611-7 | With Acrylic Handle | <input type="checkbox"/> CP | <input type="checkbox"/> PB | <input type="checkbox"/> Other_____ |
| K-P15611-7N | With Acrylic Handle, Less Showerhead | <input type="checkbox"/> CP | | |

| Required Accessory | |  |  |  |
|--------------------|--|---|---|---|
| K-304-K | Rite-Temp Valve Without Stops | <input type="checkbox"/> NA | | |
| K-304-KS | Rite-Temp Valve With Stops | | <input type="checkbox"/> NA | |
| K-306-KS | HiFlow Rite-Temp Valve With Integral Stops | | | <input type="checkbox"/> NA |
| K-308-K | Non-Pressure Balancing Valve Without Stops | <input type="checkbox"/> NA | | |
| K-308-KS | Non-Pressure Balancing Valve With Stops | | <input type="checkbox"/> NA | |

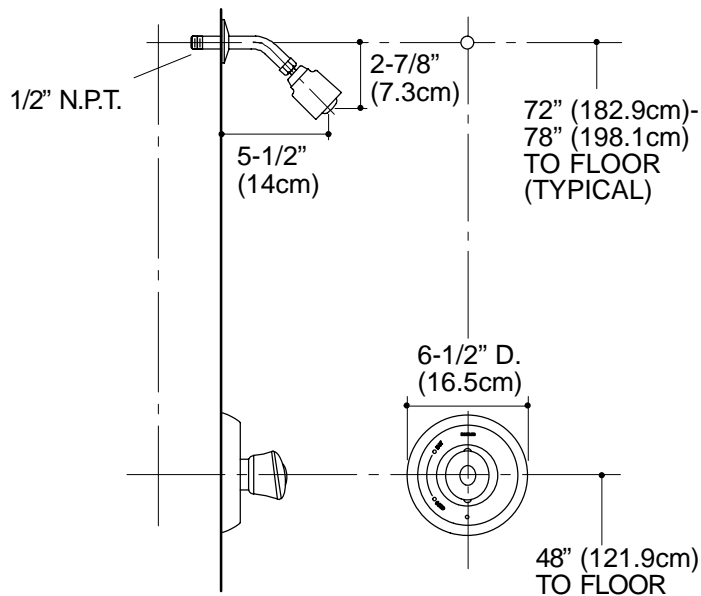
PRODUCT SPECIFICATION:
 Single-control shower faucet trim shall be of metal construction. Product shall include showerhead with arm and flange, and faceplate with acrylic handle. Faucet trim shall be Kohler Model K-P15611-_____-_____- and mixing valve shall be Kohler Model K-_____-_____-NA. Project pack valves are packaged twelve per case.

INSTALLATION NOTES

Avoid cross-flow conditions. Do not install shut-off device on either valve outlet.

Cap shower outlet if deck-mount spout, diverter, or handshower is connected to spout outlet.

Install straight pipe or tube drop of 7" (17.8cm) to 18" (45.7cm) with single elbow between valve and wall-mount spout.



332

PRODUCT DIAGRAM

K-P15611, K-304, K-306-KS, K-308 Coralais™ Shower Faucet Trim

Page 2 of 2
1006280-4-A