

Features

- Brass construction.
- Brass valve bodies.
- Quarter-turn washerless ceramic disc valves.
- Less drain.
- Standard aerator.
- Variety of handle style options.
- 5-1/4" (133 mm) gooseneck spout.
- For 8" (203 mm) or 16" (406 mm) centers.
- 2.2 gal/min (8.3 l/min) maximum flow rate [max at 60 psi (4.14 bar)].

Required Accessories

K-16012-2 Standard Handles for Widespread Base Faucet

or

K-16012-3 Cross Handles for Widespread Base Faucet

or

K-16012-4 Lever Handles for Widespread Base Faucet

or

K-16012-5 Wristblade Handles for Widespread Base Faucet

Optional Accessories

1160595



Codes/Standards

ASME A112.18.1/CSA B125.1

NSF 61

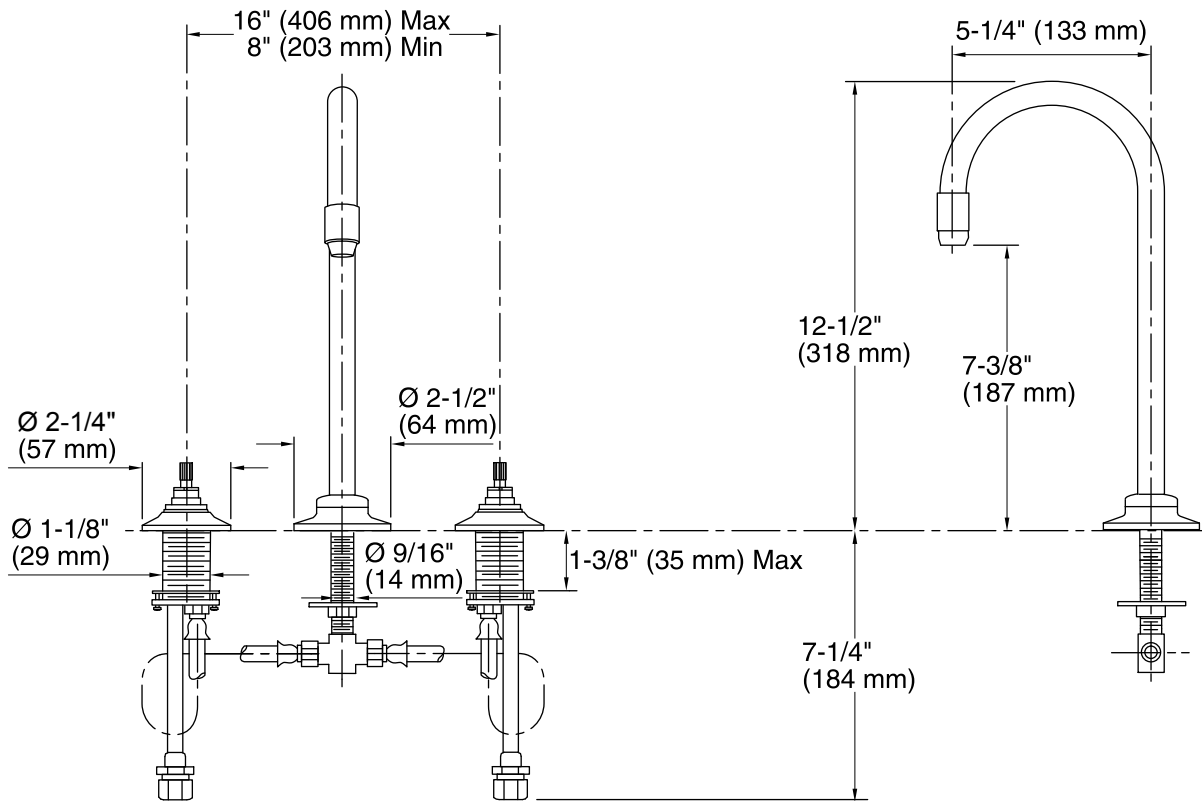
NSF 372

DOE - Energy Policy Act 1992

All applicable US Federal and State material regulations

KOHLER® Faucet Lifetime Limited Warranty

See website for detailed warranty information.



Technical Information

All product dimensions are nominal.

Spout reach: 5-1/4" (133 mm)

Faucet:

Flow rate: 2.2 gal/min (8.3 l/min)

Pressure: 60 psi (4.1 bar)

Notes

Install this product according to the installation guide.