

**Features**

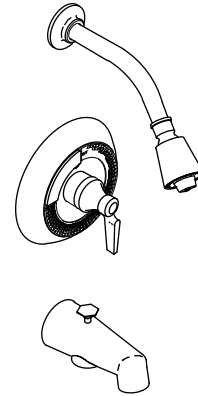
- Brass construction
- Available with standard or lever handle
- Intended for use with Rite-Temp® or HiFlow Rite-Temp® valves

**BATH & SHOWER TRIM SET  
K-T6908  
ALSO K-T6910, K-T6913**

**Codes/Standards Applicable**

Specified model meets or exceeds the following:

- ASME A112.18.1/CSA B125.1





**Colors/Finishes**

- CP: Polished Chrome

**Accessories**

- CP: Polished Chrome
- Other: Refer to Price Book for additional colors/finishes
- NA: None applicable

**Specified Model**

Model	Description		
K-T6908-2A	Bath & shower trim set, standard handle	<input type="checkbox"/> CP	
K-T6908-4A	Bath & shower trim set, lever handle		<input type="checkbox"/> CP
K-T6910-2A	Shower only trim set, standard handle	<input type="checkbox"/> CP	
K-T6910-4A	Shower only trim set, lever handle		<input type="checkbox"/> CP
K-T6913-2	Valve only trim set, standard handle	<input type="checkbox"/> CP	
K-T6913-4	Valve only trim set, lever handle		<input type="checkbox"/> CP

**Product Specification**

The Rite-Temp® pressure-balancing single-handle bath & shower trim set shall be made of brass construction. Bath & shower trim set shall include showerhead with arm and flange, 4-7/8" (124 mm) diverter spout with NPT connection, and faceplate with handle. Shower only trim set shall include showerhead with arm and flange, and faceplate with handle. Valve only trim set shall include faceplate with handle. Faucet trim set shall be K-T\_\_\_\_\_ - \_\_\_\_\_ - \_\_\_\_\_ and Rite-Temp® valve shall be K-304-\_\_\_\_\_ - NA OR K-2971-KS-NA HiFlow Rite-Temp® valve.

# TRITON®

## Required Accessories

K-304-*	Rite-Temp valve <b>OR</b>	<input type="checkbox"/> NA
K-2971-KS	HiFlow Rite-Temp valve with stops	<input type="checkbox"/> NA

\* For a complete listing of all the Rite-Temp valves, refer to the K-304-\* Specification Sheet or Roughing-In sheet.

## Optional Accessories

58223	Deep roughing-in kit for Rite-Temp® valve (lever handles)	<input type="checkbox"/> CP	<input type="checkbox"/> Other _____
58229	Deep roughing-in kit for Rite-Temp® valve (standard handles)	<input type="checkbox"/> CP	
88526	HiFlow Rite-Temp® thin wall installation kit	<input type="checkbox"/> CP	<input type="checkbox"/> Other _____

## Installation Notes

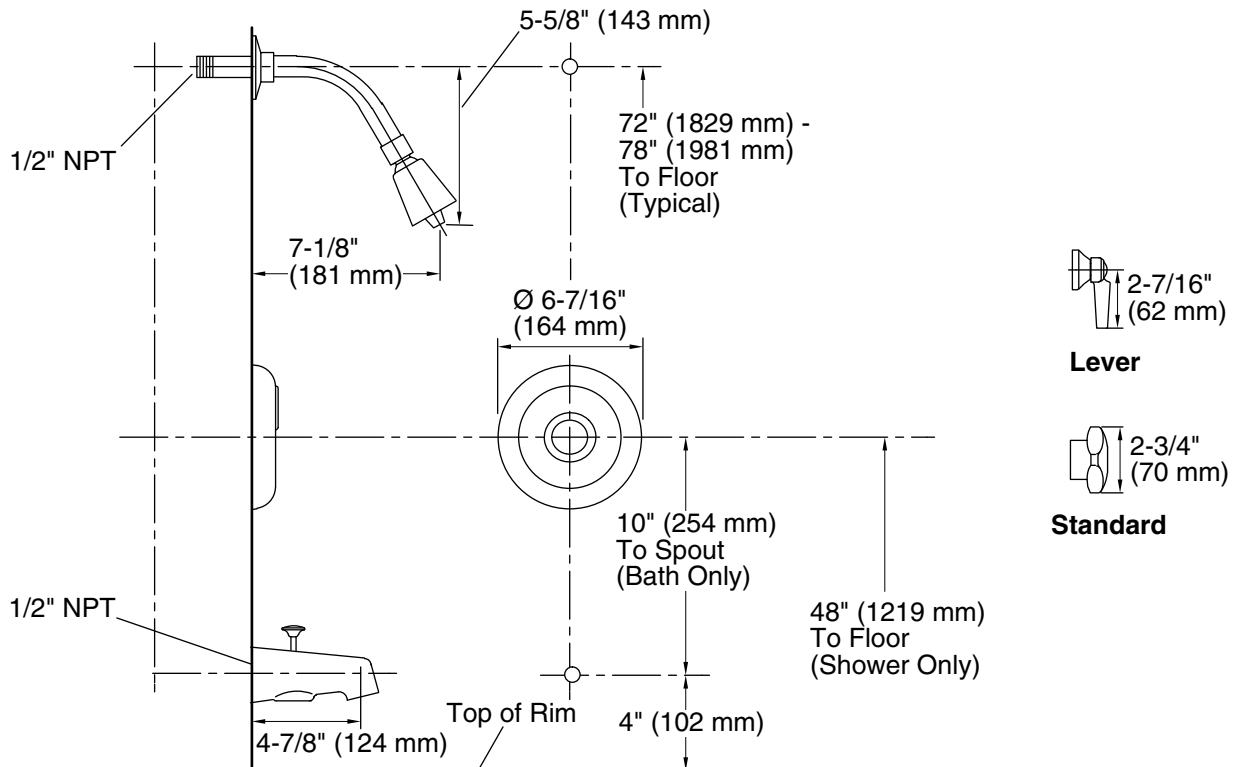
Install this product according to the installation guide.

**NOTICE: Risk of product damage.** Long screws, for installing trim, can damage the K-2971-KS valve. Consult the trim installation guide to verify if the thin wall installation kit (88526) is needed.

Avoid cross-flow conditions. Do not install shut-off device on either valve outlet.

Cap shower outlet if deck-mount spout, diverter, or handshower is connected to spout outlet.

Install straight pipe or tube drop of 7" (178 mm) to 18" (457 mm) with single elbow between valve and wall-mount spout.



## Product Diagram