

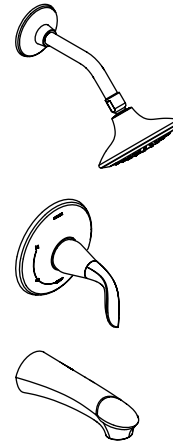
Features

- Premium construction
- MasterClean™ spray nozzles prohibit mineral buildup for easy cleaning
- Push-button diverter on bath and shower trim models [K-T5319, K-T5321]
- Intended for use with Rite-Temp® or HiFlow Rite-Temp® valves
- Heavy duty slip-fit clamp design and NPT threaded spout

BATH AND SHOWER VALVE TRIM

K-T5318

ALSO K-T5319, K-T5320



Codes/Standards Applicable

Specified model meets or exceeds the following:

- ASME A112.18.1/CSA B125.1

Colors/Finishes

- CP: Polished Chrome
- Other: Refer to Price Book for additional colors/finishes

Accessories

- NA: None applicable

Specified Model

Model	Description	Colors/Finishes	
K-T5318-4	Bath and shower valve trim (shown)	<input type="checkbox"/> CP	<input type="checkbox"/> Other _____
K-T5319-4	Shower trim with diverter button	<input type="checkbox"/> CP	<input type="checkbox"/> Other _____
K-T5320-4	Shower trim, less diverter button	<input type="checkbox"/> CP	<input type="checkbox"/> Other _____
K-T5321-4	Mixing valve trim with diverter button – ADA compliant	<input type="checkbox"/> CP	<input type="checkbox"/> Other _____
K-T5322-4	Mixing valve trim, less diverter button – ADA compliant	<input type="checkbox"/> CP	<input type="checkbox"/> Other _____

Required Accessories		
K-304-**	Rite-Temp® pressure-balancing valve OR	<input type="checkbox"/> NA
K-2971-**	HiFlow Rite-Temp valve with stops OR	<input type="checkbox"/> NA
K-11748-**	Rite-Temp valve with push-button diverter	<input type="checkbox"/> NA

** For a complete listing of all the Rite-Temp valves, refer to the individual valve Specification sheet or Roughing-in sheet.

Product Specification

The bath and shower valve trim shall be made of premium construction. Product shall have MasterClean spray nozzles to prohibit mineral buildup for easy cleaning. Product shall have a push-button diverter on trim models [K-T5319, K-T5321]. Product shall have heavy duty slip-fit clamp design and NPT threaded spout. Product is intended for use with Rite-Temp or HiFlow Rite-Temp valves. Valve trim shall be Kohler Model K-T____-____ and Rite-Temp valving shall be K-____-____-NA.

REFINIA™ RITE-TEMP®

Optional Accessories

88526	Thin wall installation kit for K-2971-KS HiFlow Rite-Temp valve	<input type="checkbox"/>	<input type="checkbox"/> CP	<input type="checkbox"/> Other ____
1073881	Deep roughing-in kit for K-304 and K-2971 Rite-Temp valve	<input type="checkbox"/> NA		
1016453	Diverter button kit for K-305-K and K-305-KS Rite-Temp valves		<input type="checkbox"/> CP	<input type="checkbox"/> Other ____
1092535	Deep roughing-in kit for K-305 Rite-Temp valve		<input type="checkbox"/> CP	<input type="checkbox"/> Other ____
1156950	Deep roughing-in kit for K-11748 Rite-Temp valve		<input type="checkbox"/> CP	<input type="checkbox"/> Other ____
K-45129	Shower arm and flange		<input type="checkbox"/> CP	<input type="checkbox"/> Other ____
K-5327	Diverter bath spout		<input type="checkbox"/> CP	<input type="checkbox"/> Other ____
K-5328	Non-diverter bath spout		<input type="checkbox"/> CP	<input type="checkbox"/> Other ____

Installation Notes

Install the valve trim according to the installation guide.

Install the Rite-Temp valve according to the installation guide.

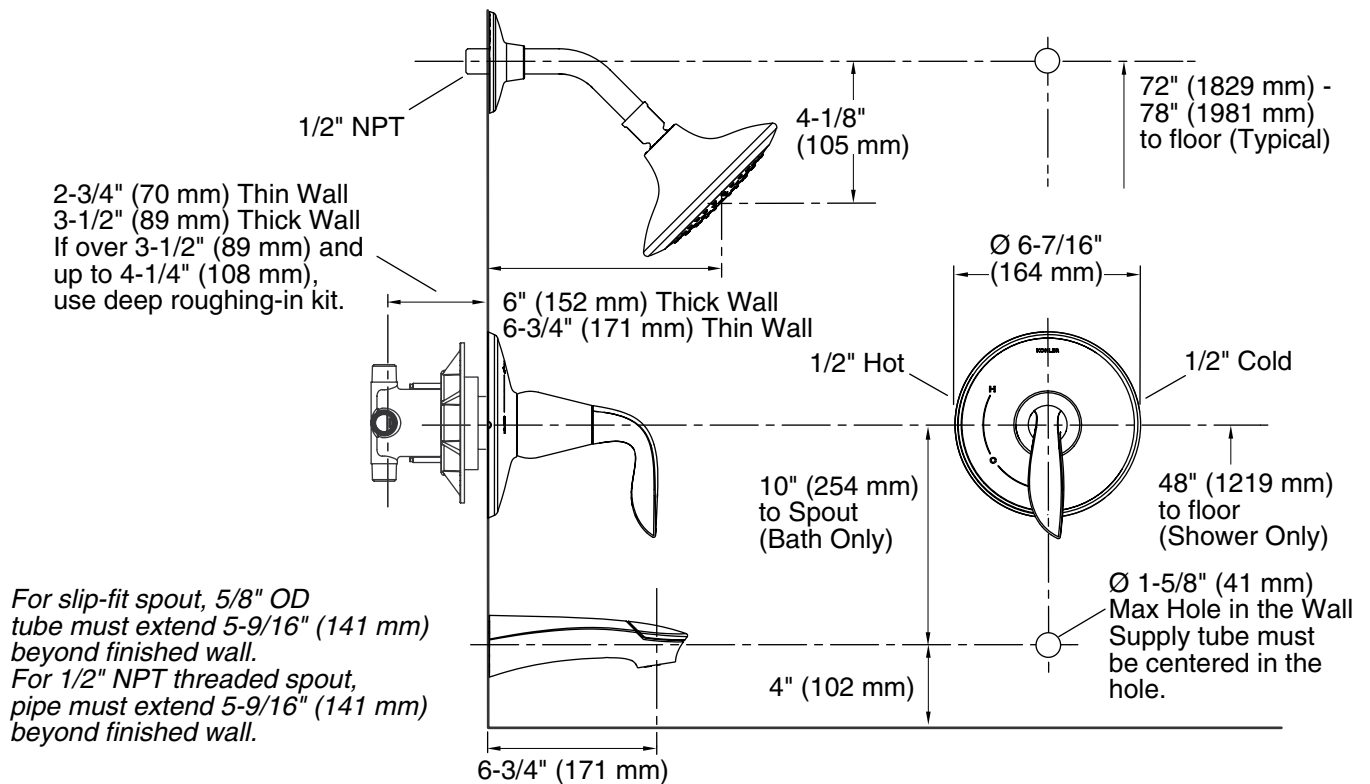


CAUTION: Risk of product damage. Long screws, for installing trim, can damage the K-2971-KS valve. Consult the trim installation guide to verify if the thin wall installation kit (88526) is needed.

Avoid cross-flow conditions. Do not install a shut-off device on either valve outlet.

Cap the shower outlet if the deck-mounted spout, diverter, or handshower is connected to the spout outlet.

Install a 7" (178 mm) to 18" (457 mm) straight pipe or straight tube with single bath elbow between the valve and the wall-mount spout.



Product Diagram