

### WATERLESS URINAL K-4919

ADA

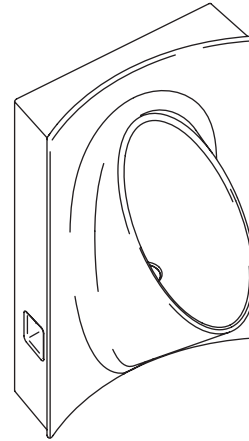
#### Features

- Vitreous china
- Includes removable strainer, sealing liquid sample, cleaner sample, urinal ball sample, 2" outlet spud, universal mounting bracket, and hangers
- 15-7/8" (403 mm) extended rim

#### Codes/Standards Applicable

Specified model meets or exceeds the following:

- ADA when rim is mounted no higher than 17" (432 mm) from finished floor
- ICC/ANSI A117.1
- ASME A112.19.2/CSA B45.1
- ASME A112.19.19-06



#### Colors/Finishes

- 0: White
- Other: Refer to Price Book for additional colors/finishes

#### Accessories

- NA: None applicable

#### Specified Model

Model	Description	Colors/Finishes	
K-4919	Waterless urinal	<input type="checkbox"/> 0	<input type="checkbox"/> Other _____
Optional Accessory			
18773	3" outlet spud	<input type="checkbox"/> NA	

#### Product Specification

The waterless urinal shall be made of vitreous china. Urinal shall have a 15-7/8" (403 mm) extended rim. Urinal shall include removable strainer, sealing liquid sample, cleaner sample, urinal ball sample, 2" outlet spud, universal mounting bracket, and hangers. Urinal shall be Kohler Model K-4919-\_\_\_\_\_.

## Technical Information

Included components:	
2" outlet spud	18766
Hanger (2 required)	64512
Universal mounting bracket	1044199
Removable strainer	1046455
3 oz (89 ml) sealing liquid sample	1048655
Cleaner sample	1050486
Urinal ball sample	1156066

## Installation Notes

Install this product according to the installation guide.

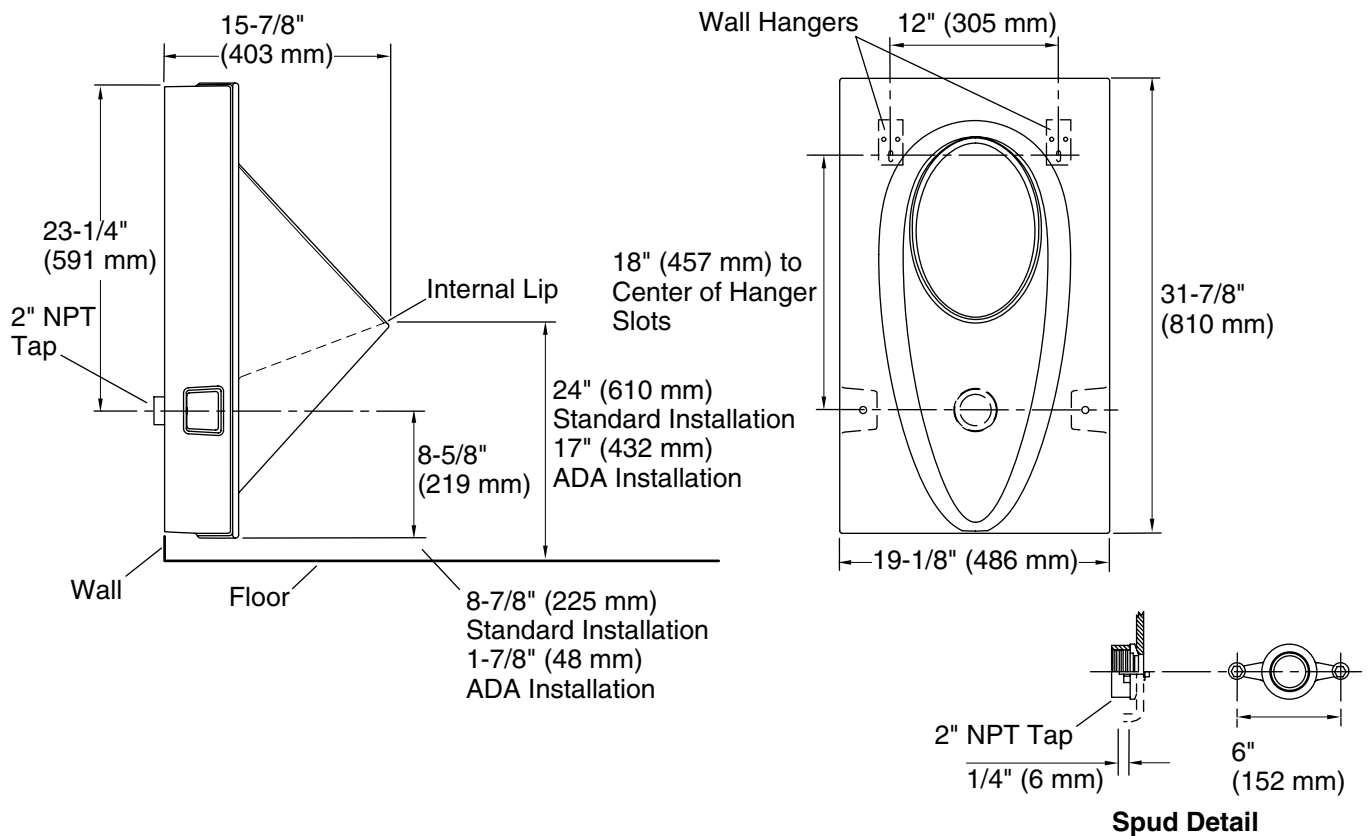
Roughing-in remains the same when using the optional 3" outlet spud.

**NOTICE:** For ADA compliance, measurement must be from the floor to the top of the internal lip.

Will comply with **ADA** when installed per Section 605 Urinals of the Act.



**CAUTION: Risk of property damage.** When connecting waterless urinals to the building drain waste vent system, do not use copper pipe or copper tube connectors. The use of a copper connector will result in corrosion of the connector and potential building structure damage caused by leakage.



## Product Diagram