

Features

- Brass construction.
- MasterClean™ spray nozzles prohibit mineral build-up.
- Complements Loure Suite.
- Requires a Rite-Temp® valve.

Required Accessories

- K-304-K Pressure-Balancing Valve Less Stops
- or
- K-304-CX Pressure-Balancing Valve Less Stops
- or
- K-304-PX Pressure-Balancing Valve Less Stops
- or
- K-304-UX Pressure-Balancing Valve Less Stops
- or
- K-304-KS Pressure-Balancing Valve With Stops
- or
- K-304-CS Pressure-Balancing Valve With Stops
- or
- K-304-PS Pressure-Balancing Valve With Stops
- or
- K-304-US Pressure-Balancing Valve With Stops



For complete listing of available colors, go to kohler.com.

Codes/Standards

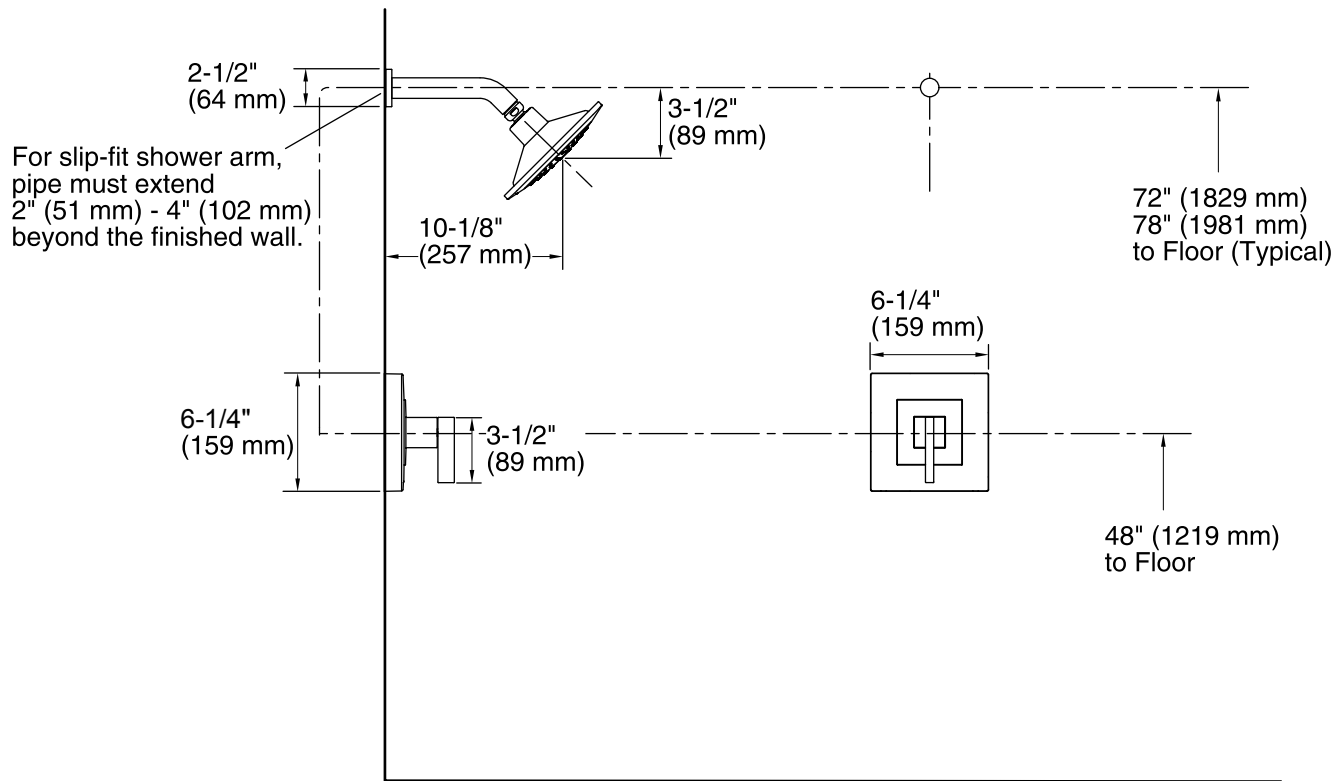
ASME A112.18.1/CSA B125.1
ASSE 1016

KOHLER® Faucet Lifetime Limited Warranty

See website for detailed warranty information.

Product Specification

Shower trim shall be made of brass construction. Shower trim shall feature a MasterClean™ spray nozzle that prohibits mineral buildup. Shower trim shall be Kohler Model K-T14670-4.



Technical Information

All measurements are nominal.

Pressure: 45 psi (3.1 bar)

Installation Notes

Install this product according to the installation guide.

Avoid cross-flow conditions. Do not install a shut-off device on either valve outlet.