

### Features

- Vitreous china.
- Elongated bowl.
- 11" (279 mm) minimum rough-in.
- 1-1/2" rear spud.
- 2-1/4" (57 mm) glazed trapway.
- With bedpan lugs.
- 1.28 gpf (4.8 lpf) or 1.6 gpf (6.0 lpf) depending on flushometer specified.
- 11-3/8" (289 mm) x 10-3/8" (264 mm) water area.
- 26" (660 mm) x 14-1/2" (368 mm) x 16-1/2" (419 mm).

### Recommended Accessories

- K-4670-C Commercial Toilet Seat
- K-4670-CA Commercial Toilet Seat

### Components

Additional included component/s: Spud, and Bolt caps (pair).



ADA CSA B651 OBC

### Codes/Standards




ASME A112.19.2/CSA B45.1  
DOE - Energy Policy Act 1992  
ADA  
ICC/ANSI A117.1  
CSA B651  
OBC

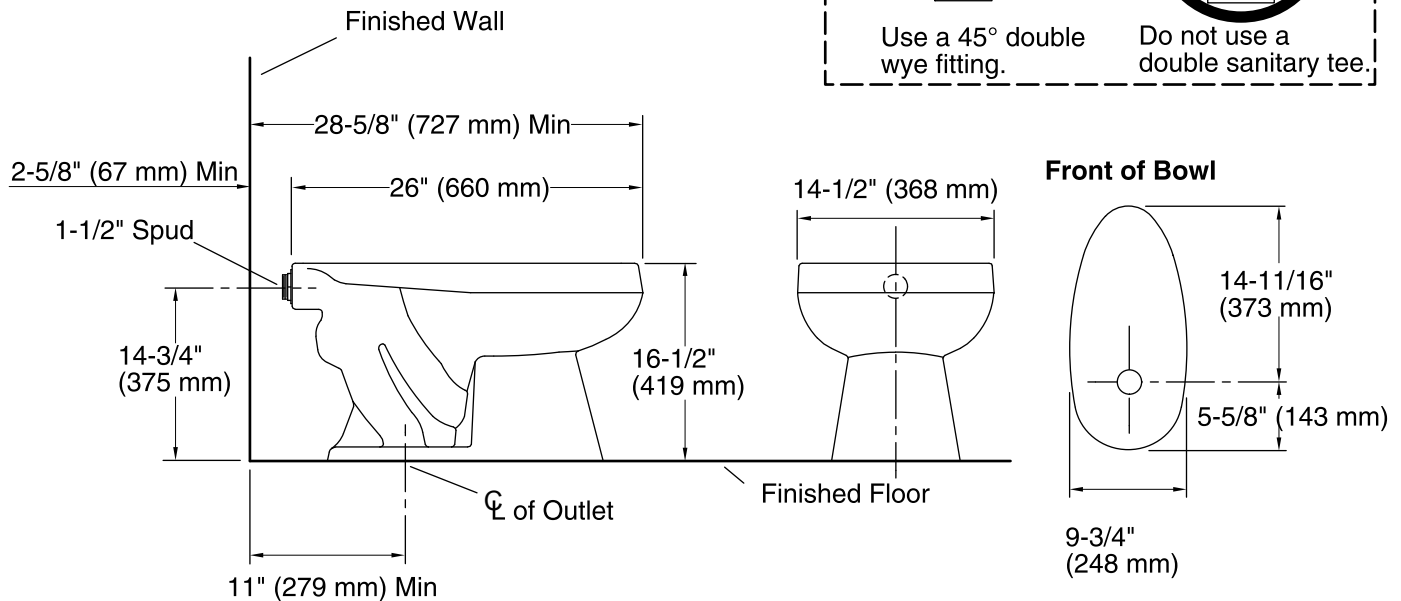
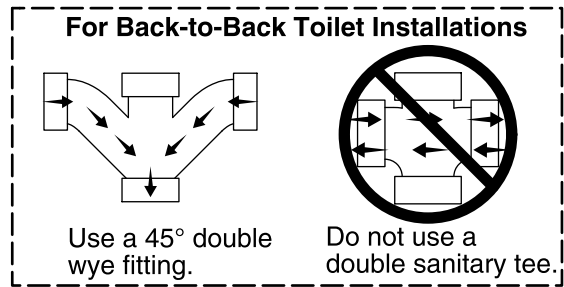
### KOHLER® One-Year Limited Warranty

See website for detailed warranty information.

### Available Color/Finishes

*Color tiles intended for reference only.*

Color	Code	Description
	0	White
	96	Biscuit
	47	Almond



### Technical Information

All product dimensions are nominal.

- Bowl shape: Elongated front
- Flush type: Siphon jet
- Spud size: 1-1/2", Inlet, Rear
- Trap passageway: 2-1/4" (57 mm)
- Water surface size: 11-3/8" x 10-3/8" (289 mm x 264 mm)
- Rim to water surface: 6" (152 mm)
- Rough-in: 11" (279 mm)
- Seat-mounting holes: 5-1/2" (140 mm)

### Fixture Supply Requirements

- Min static pressure: 35 psi (241.3 kPa)
- Max static pressure: 80 psi (551.6 kPa)
- Min flow rate: 25 gpm (94.6 lpm)

### Notes

- Install this product according to the installation guide.
- Refer to manufacturer and local codes for flush valve requirements.
- For back-to-back toilet installations: Use only a 45° double wye fitting.
- ADA, OBC, CSA B651 compliant when installed to the specific requirements of these regulations.
- The Model Plumbing Codes require the installation of elongated open-front toilet seats on public bathrooms.